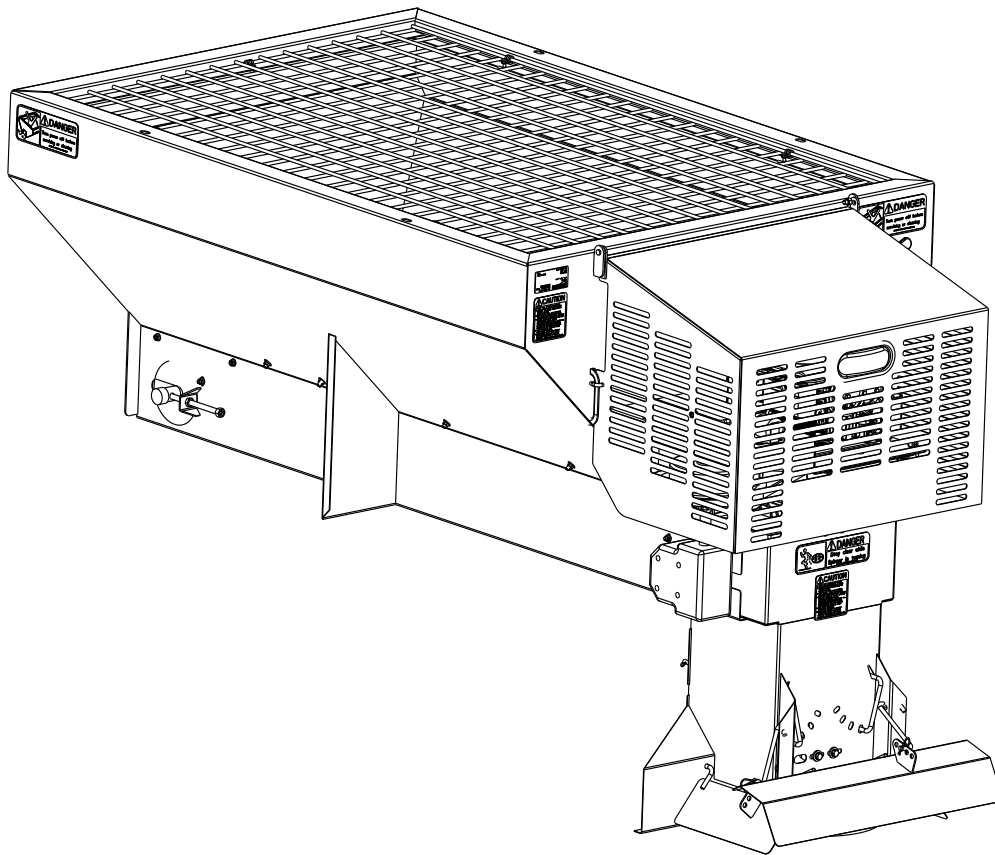


ILLUSTRATED PARTS LISTING
EUROPEAN CE PV SPREADERS

Models: 64288CE, 64289CE, 64290CE, 64291CE, 64292CE, 64293CE, 64294CE, 64295CE



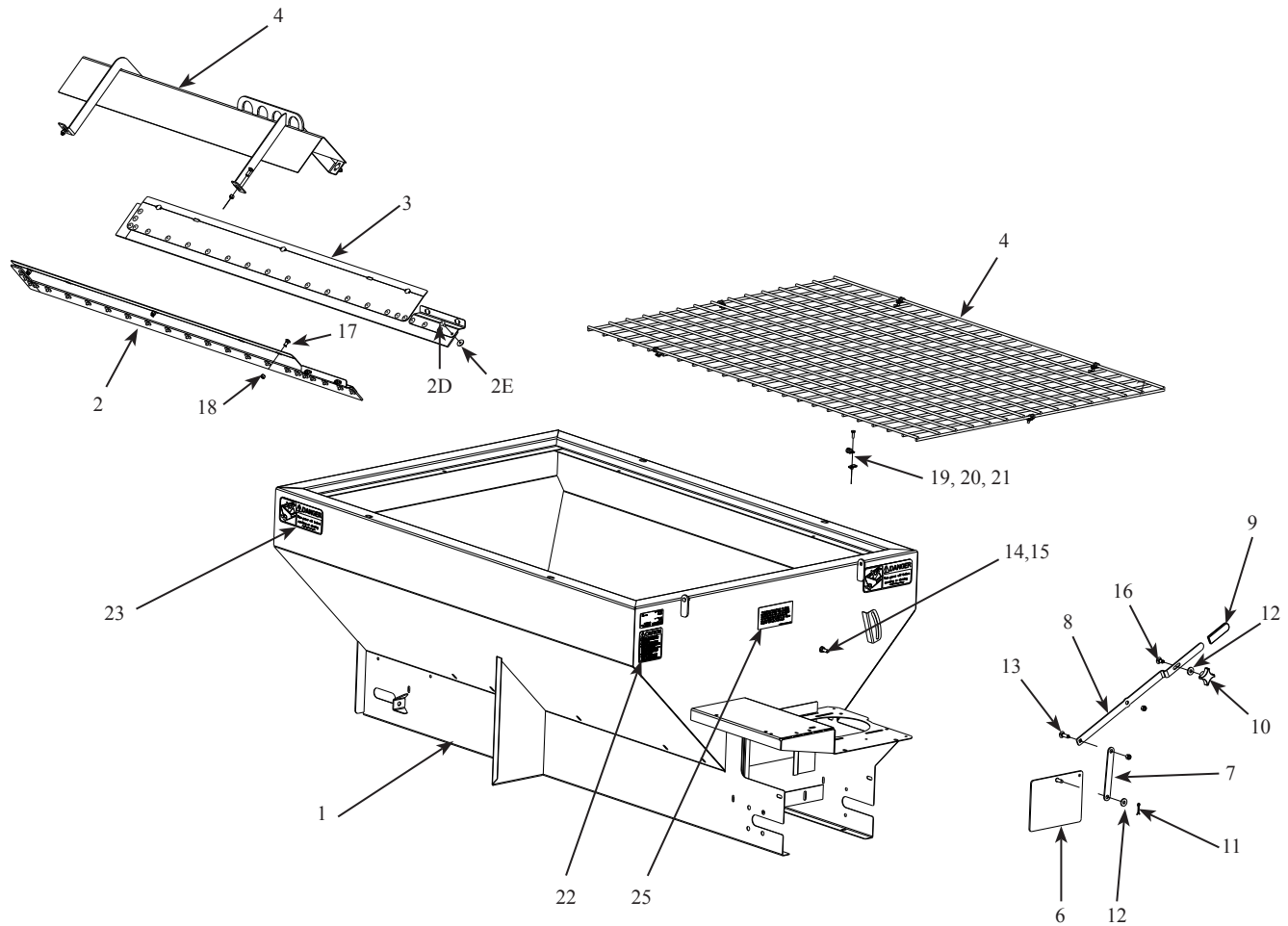
Meyer Products LLC reserves the right, under its continuing product improvement program, to change construction or design detail, specifications and prices without notice or without incurring any obligation.

Meyer Products LLC
18513 Euclid Ave • Cleveland, Ohio 44112
Phone 216-486-1313 • Fax 216-486-9775
www.meyerproducts.com • Email: sales@meyerproducts.com



ILLUSTRATED PARTS LISTING EUROPEAN CE PV SPREADERS

HOPPER ASSEMBLY



Meyer Products LLC reserves the right, under its continuing product improvement program, to change construction or design detail, specifications and prices without notice or without incurring any obligation.

Meyer Products LLC
18513 Euclid Ave • Cleveland, Ohio 44112
Phone 216-486-1313 • Fax 216-486-9775
www.meyerproducts.com • Email: sales@meyerproducts.com



ILLUSTRATED PARTS LISTING

EUROPEAN CE PV SPREADERS

HOPPER ASSEMBLY

| Item | Part Number | Description | Qty |
|------|-------------|----------------------------|-----|
| 1 | 66024 | WELD, HOPPER 5' BOC CS | 1 |
| | 66025 | WELD, HOPPER 5' BOC SS | |
| | 66022 | WELD, HOPPER 6' BOC CS | |
| | 66023 | WELD, HOPPER 6' BOC SS | |
| 2 | 66026 | Y, LH CHAINSHIELD CS 5' | 1 |
| | 66027 | Y, LH CHAINSHIELD SS 5' | |
| | 66028 | Y, LH CHAINSHIELD CS 6' | |
| | 66029 | Y, LH CHAINSHIELD SS 6' | |
| 2A | 66030 | FORM, CHAINSHIELD LH 5' CS | 1 |
| | 66031 | FORM, CHAINSHIELD LH 5' SS | |
| | 66032 | FORM, CHAINSHIELD LH 6' CS | |
| | 66033 | FORM, CHAINSHIELD LH 6' SS | |
| 2B | 66034 | FORM, SPROCKET SHIELD CS | 1 |
| | 66035 | FORM, SPROCKET SHIELD SS | |
| 2C | 66036 | STRIP, SEAL 5' | 1 |
| | 66037 | STRIP, SEAL 6' | |
| 2D | 64494 | RIVET | 23 |
| 2E | 63210 | WASHER, FENDER | 23 |
| 3 | 66038 | Y, RH CHAINSHIELD CS 5' | 1 |
| | 66039 | Y, RH CHAINSHIELD SS 5' | |
| | 66040 | Y, RH CHAINSHIELD CS 6' | |
| | 66041 | Y, RH CHAINSHIELD SS 6' | |
| 3A | 66042 | FORM, CHAINSHIELD RH 5' CS | 1 |
| | 66043 | FORM, CHAINSHIELD RH 5' SS | |
| | 66044 | FORM, CHAINSHIELD RH 6' CS | |
| | 66045 | FORM, CHAINSHIELD RH 6' SS | |
| 3B | 66034 | FORM, SPROCKET SHIELD CS | 1 |
| | 66035 | FORM, SPROCKET SHIELD SS | |
| 3C | 66036 | STRIP, SEAL 5' | 2 |
| | 66037 | STRIP, SEAL 6' | |
| 3D | 64494 | RIVET | 23 |
| 3E | 63210 | WASHER, FENDER | 23 |
| 4 | 63184 | WELD, INVERTED VEE | 1 |
| 5 | 66017 | SCREEN, 5' | 1 |
| | 66018 | SCREEN, 6' | |
| 6 | 62281 | WELD, FEEDGATE CS | 1 |
| | 63822 | WELD, FEEDGATE SS | |
| 7 | 62270 | BAR, PIVOT CS | 1 |
| | 63817 | BAR, PIVOT SS | |
| 8 | 63294 | FORM, FEEDGATE HANDLE CS | 1 |
| | 63817 | FORM, FEEDGATE HANDLE SS | |
| 9 | 64164 | COVER, FEEDGATE HANDLE | 1 |
| 10 | 61169 | KNOB, HAND | 1 |
| 11 | 62691 | PIN, COTTER | 1 |
| 12 | 22230 | FLATWASHER, 3/8" SS | 2 |
| 13 | 62813 | BOLT, 3/8" X 1-1/4" CA SS | 1 |
| 14 | 62695 | BOLT, 3/8" X 1-1/4" HH SS | 1 |
| 15 | 62696 | LOCKNUT, 3/8" VINYL SS | 3 |
| 16 | 63417 | BOLT, 3/8" X 3/4" CA SS | 1 |
| 17 | 62640 | BOLT, 5/16" X 3/4" CA SS | 10 |
| 18 | 64163 | LOCKNUT, 5/16" VINYL SS | 10 |
| 19 | 62189 | BOLT, 1/4" X 1" HH SS | 6 |
| 20 | 63245 | CLAMP, CUSHION | 6 |
| 21 | 64473 | NUT, CLIP-ON 1/4" | 6 |
| 22 | 62007 | DECAL, CAUTION | 1 |
| 23 | 62009 | DECAL, DANGER | 3 |
| 24 | 64817 | DECAL, MEYER | 3 |
| 25 | 62644 | DECAL, WARRANTY | 1 |

ZP= Zinc Plated CS = Mild Carbon Steel SS= Stainless Steel A/R= As Required

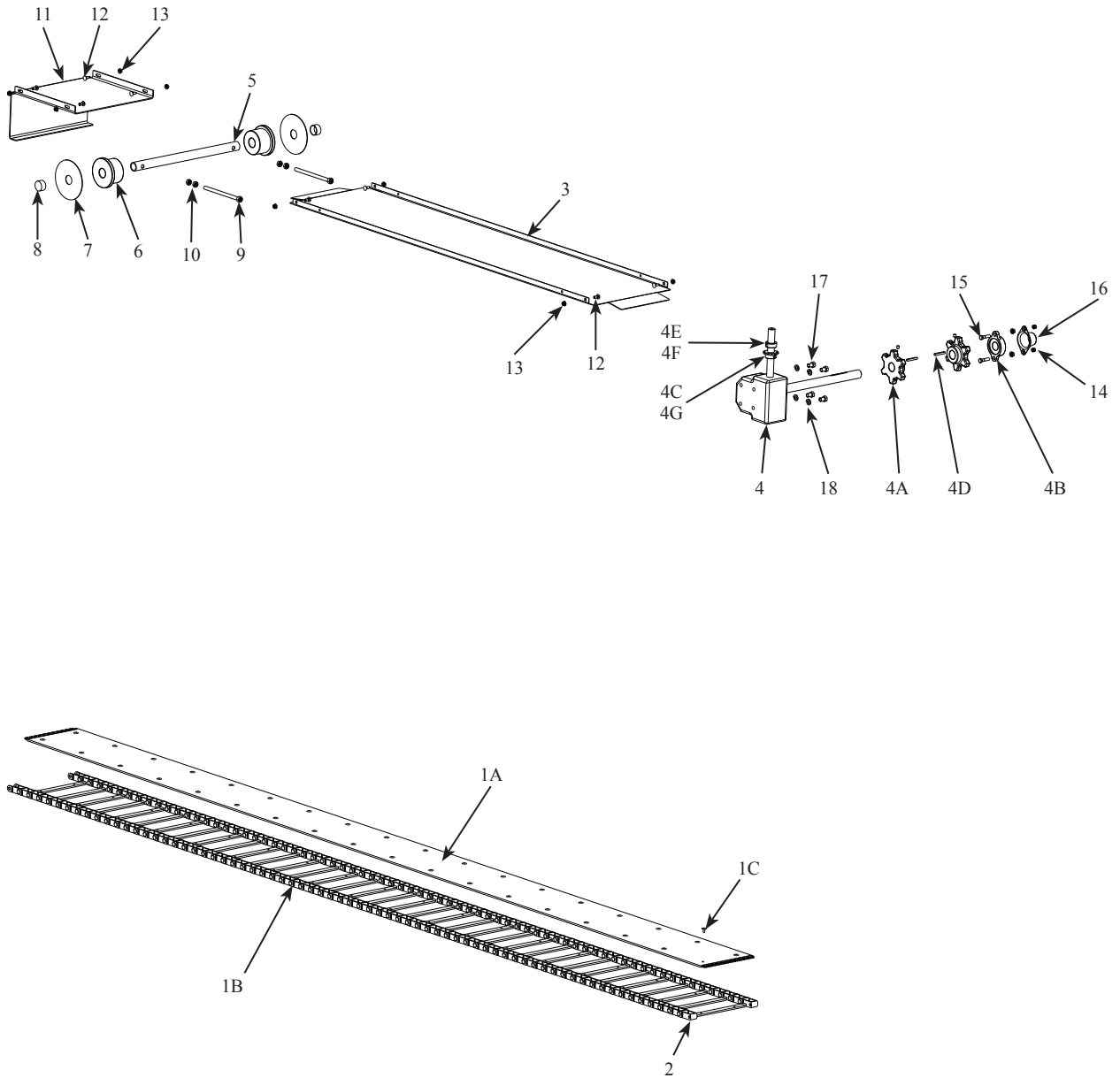
Meyer Products LLC reserves the right, under its continuing product improvement program, to change construction or design detail, specifications and prices without notice or without incurring any obligation.

Meyer Products LLC
 18513 Euclid Ave • Cleveland, Ohio 44112
 Phone 216-486-1313 • Fax 216-486-9775
 www.meyerproducts.com • Email: sales@meyerproducts.com



ILLUSTRATED PARTS LISTING EUROPEAN CE PV SPREADERS

CONVEYOR ASSEMBLY



Meyer Products LLC reserves the right, under its continuing product improvement program, to change construction or design detail, specifications and prices without notice or without incurring any obligation.

Meyer Products LLC
 18513 Euclid Ave • Cleveland, Ohio 44112
 Phone 216-486-1313 • Fax 216-486-9775
 www.meyerproducts.com • Email: sales@meyerproducts.com



ILLUSTRATED PARTS LISTING

EUROPEAN CE PV SPREADERS

CONVEYOR ASSEMBLY

| Item | Part Number | Description | Qty |
|--|-------------|-------------------------------|-----|
| 1 | 64998 | 5' PV BOC ASSEMBLY | 1 |
| | 64596 | 6' PV BOC ASSEMBLY | |
| 1A | 66012 | BELT, CONVEYOR 5' | 1 |
| | 66013 | BELT, CONVEYOR 6' | |
| 1B | 66010 | WELD, DRAG CHAIN 5' BOC | 1 |
| | 66011 | WELD, DRAG CHAIN 6' BOC | |
| 1C | 66014 | RIVET | 36 |
| 2 | 61174 | PIN, MASTER W / COTTER | 2 |
| 3 | 66006 | FORM, FLOOR 5' CS | 1 |
| | 66007 | FORM, FLOOR 5' SS | |
| | 66008 | FORM, FLOOR 6' CS | |
| | 66009 | FORM, FLOOR 6' SS | |
| 4 | 63410 | GEARBOX, 20:1 | 1 |
| 4A | 61175 | SPROCKET, DRIVE W/ SET SCREWS | 2 |
| 4B | 61163 | BEARING, 1-1/4" | 1 |
| 4C | 63685 | SPROCKET, #40B-13 | 1 |
| 4D | 62000 | KEY, 1/4 X 2" | 2 |
| 4E | 62769 | COLLAR, 1" SET | 1 |
| 4F | 61202 | SNAP, RING | 1 |
| 4G | 61201 | KEY, WOODRUFF | 1 |
| 5 | 64062 | SHAFT, IDLER | 1 |
| 6 | 64063 | ROLLER, IDLER | 2 |
| 7 | 64732 | WASHER, IDLER CS | 2 |
| | 64631 | WASHER, IDLER SS | |
| 8 | 64064 | COVER, IDLER | 2 |
| 9 | 62304 | WELD, TAKEUP BOLT | 2 |
| 10 | 62336 | NUT, 1/2" JAM | 4 |
| 11 | 63264 | COVER, FRONT CONVEYOR | 1 |
| 12 | 62640 | BOLT, 5/16" X 3/4" CA SS | 8 |
| 13 | 64163 | LOCKNUT, 5/16" VINYL SS | 8 |
| 14 | 62696 | LOCKNUT, 3/8" VINYL SS | 4 |
| 15 | 64035 | BOLT, 3/8" X 1-1/2" HH SS | 2 |
| 16 | 64385 | COVER, BEARING | 1 |
| 17 | 62750 | BOLT, 1/2" X 3/4" HH SS | 4 |
| 18 | 62770 | LOCKWASHER, 1/2" SS | 4 |
| ZP= Zinc Plated CS = Mild Carbon Steel SS= Stainless Steel A/R= As Required | | | |

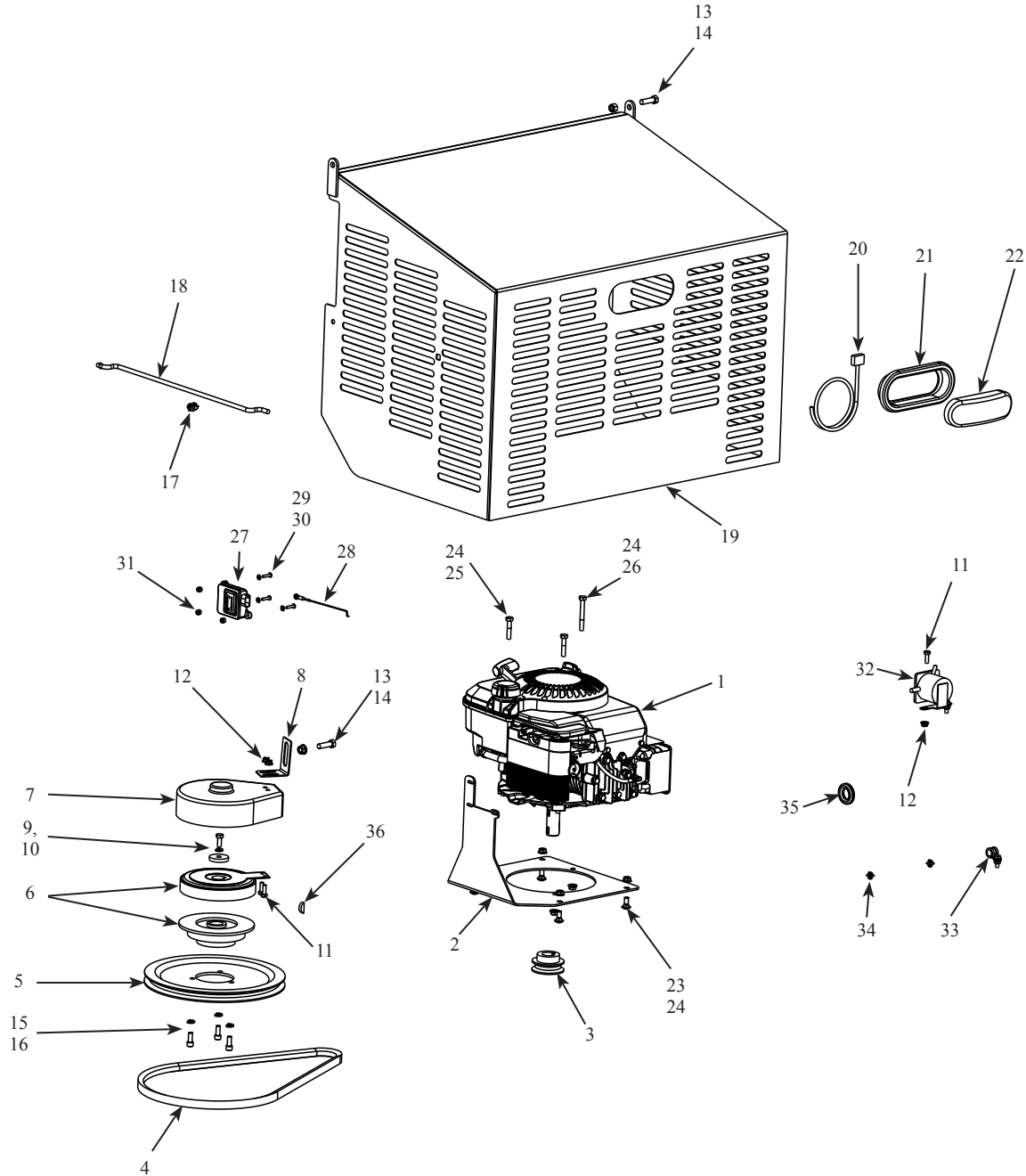
Meyer Products LLC reserves the right, under its continuing product improvement program, to change construction or design detail, specifications and prices without notice or without incurring any obligation.

Meyer Products LLC
 18513 Euclid Ave • Cleveland, Ohio 44112
 Phone 216-486-1313 • Fax 216-486-9775
 www.meyerproducts.com • Email: sales@meyerproducts.com



ILLUSTRATED PARTS LISTING EUROPEAN CE PV SPREADERS

ENGINE ASSEMBLY



Meyer Products LLC reserves the right, under its continuing product improvement program, to change construction or design detail, specifications and prices without notice or without incurring any obligation.

Meyer Products LLC
 18513 Euclid Ave • Cleveland, Ohio 44112
 Phone 216-486-1313 • Fax 216-486-9775
 www.meyerproducts.com • Email: sales@meyerproducts.com



ILLUSTRATED PARTS LISTING

EUROPEAN CE PV SPREADERS

ENGINE ASSEMBLY

| Item | Part Number | Description | Qty |
|------|-------------|----------------------------|-----|
| 1 | 64245 | ENGINE, B&S | 1 |
| 2 | 66019 | PLATE, ENGINE ADAPTER CS | 1 |
| | 66020 | PLATE, ENGINE ADAPTER CS | |
| 3 | 61177 | PULLEY, DRIVER | 1 |
| 4 | 62940 | BELT | 1 |
| 5 | 61161 | PULLEY, DRIVEN | 1 |
| 6 | 61167 | CLUTCH | 1 |
| 7 | 61168 | COVER, CLUTCH | 1 |
| 8 | 61176 | RETAINER, CLUTCH | 1 |
| 9 | 63103 | WASHER, CLUTCH RETAINER | 1 |
| 10 | 62752 | BOLT, 5/16" X 3/4" | 1 |
| 11 | 62189 | BOLT, 1/4" X 3/4" HH SS | 4 |
| 12 | 64079 | LOCKNUT, 1/4" VINYL SS | 4 |
| 13 | 62695 | BOLT, 3/8" 1-1/4" HH SS | 2 |
| 14 | 64163 | LOCKNUT, 3/8" VINYL SS | 2 |
| 15 | 63309 | LOCKWASHER, 5/16" ZP | 3 |
| 16 | 62634 | SCREW, 5/16" X 5/8" SOC | 3 |
| 17 | 62725 | CLAMP, PROP ROD | 1 |
| 18 | 61215 | ROD, PROP | 1 |
| 19 | 63017 | WELD, ENGINE SHROUD CS | 1 |
| | 63021 | WELD, ENGINE SHROUD SS | |
| 20 | 62715 | GROMMET, LIGHT | 1 |
| 21 | 62714 | LIGHT, CHMSL | 1 |
| 22 | 62364 | CABLE, LIGHT POWER | 1 |
| 23 | 62640 | BOLT, 5/16" X 3/4" CA SS | 4 |
| 24 | 64163 | LOCKNUT, 5/16" VINYL SS | 7 |
| 25 | 62273 | BOLT, 5/16" X 1-1/2" HH SS | 2 |
| 26 | 63249 | BOLT, 5/16" X 2-1/2" HH SS | 1 |
| 27 | 63165 | ACTUATOR, THROTTLE | 1 |
| 28 | 62720 | LINKAGE, THROTTLE | 1 |
| 29 | 62649 | SCREW, 8-32 X 3/4" SS | 3 |
| 30 | 62651 | FLATWASHER, #8 SS | 3 |
| 31 | 62650 | LOCKNUT, #8 SS | 3 |
| 32 | 61179 | SOLENOID, STARTER | 1 |
| 33 | 62652 | CLAMP, CUSHIONED | 1 |
| 34 | 64411 | HOLDER, NYLON TIE | 2 |
| 35 | 62765 | GROMMET | 1 |
| 36 | 61201 | KEY, 1/4" WOODRUFF | 1 |
| N/S | 64086 | CABLE, SPREADER CONTROL | 1 |

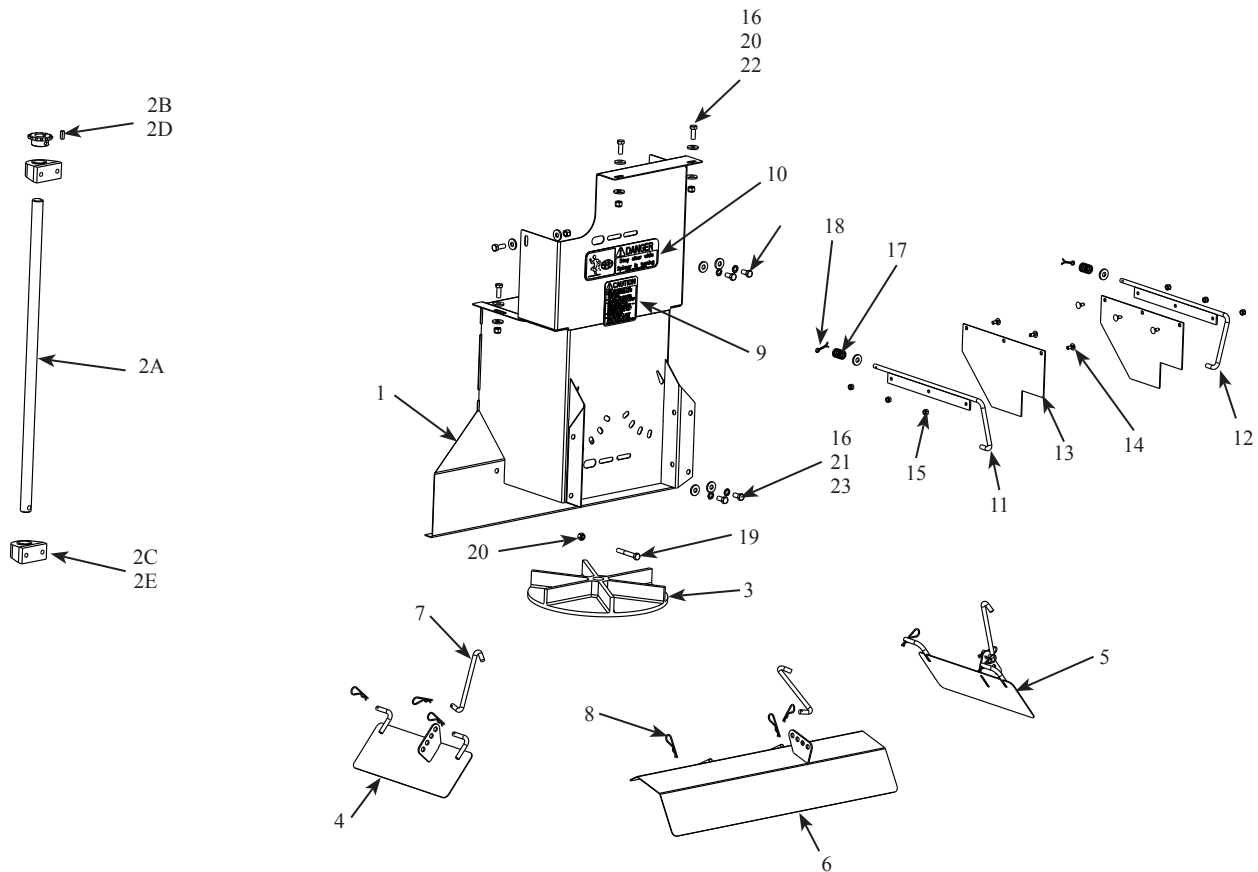
Meyer Products LLC reserves the right, under its continuing product improvement program, to change construction or design detail, specifications and prices without notice or without incurring any obligation.

Meyer Products LLC
 18513 Euclid Ave • Cleveland, Ohio 44112
 Phone 216-486-1313 • Fax 216-486-9775
www.meyerproducts.com • Email: sales@meyerproducts.com



ILLUSTRATED PARTS LISTING EUROPEAN CE PV SPREADERS

SPINNER ASSEMBLY



Meyer Products LLC reserves the right, under its continuing product improvement program, to change construction or design detail, specifications and prices without notice or without incurring any obligation.

Meyer Products LLC
18513 Euclid Ave • Cleveland, Ohio 44112
Phone 216-486-1313 • Fax 216-486-9775
www.meyerproducts.com • Email: sales@meyerproducts.com



ILLUSTRATED PARTS LISTING

EUROPEAN CE PV SPREADERS

SPINNER ASSEMBLY

| Item | Part Number | Description | Qty |
|------|-------------|---------------------------|-----|
| 1 | 66021 | WELD, SPINNER FRAME CS | 1 |
| | 63829 | WELD, SPINNER FRAME SS | |
| 2 | 63406 | Y, SPINNER SHAFT | 1 |
| 2A | 62933 | SHAFT, SPINNER | 1 |
| 2B | 63685 | SPROCKET, #40B 13 X 1" | 1 |
| 2C | 62356 | BEARING | 2 |
| 2D | 63090 | KEY, 1/4" SQ X 3/4" | 1 |
| 2E | 62988 | FITTING, ZERK | 2 |
| 3 | 62146 | DISC, SPINNER | 1 |
| 4 | 61181 | WELD, BAFFLE LH CS | 1 |
| | 63819 | WELD, BAFFLE LH SS | |
| 5 | 61182 | WELD, BAFFLE RH CS | 1 |
| | 63818 | WELD, BAFFLE RH SS | |
| 6 | 61183 | WELD, BAFFLE REAR CS | 1 |
| | 63820 | WELD, BAFFLE REAR SS | |
| 7 | 62313 | BAR, LINK | 3 |
| 8 | 63091 | PIN, HAIR | 9 |
| 9 | 62007 | DECAL, CAUTION | 1 |
| 10 | 62006 | DECAL, DANGER | 1 |
| 11 | 62333 | WELD, HANDLE LH CS | 1 |
| | 62826 | WELD, HANDLE LH SS | |
| 12 | 62331 | WELD, HANDLE RH CS | 1 |
| | 63825 | WELD, HANDLE RH SS | |
| 13 | 62688 | PLATE, BAFFLE CS | 2 |
| | 64633 | PLATE, BAFFLE CS | |
| 14 | 62689 | BOLT, 1/4" X 5/8" CA SS | 6 |
| 15 | 64079 | LOCKNUT, 1/4" VINYL SS | 6 |
| 16 | 22230 | FLATWASHER, 3/8" SS | 18 |
| 17 | 62358 | SPRING, COMPRESSION | 2 |
| 18 | 62691 | PIN, 1/8" X 1" COTTER SS | 2 |
| 19 | 63198 | BOLT, 3/8" X 2-1/2" HH SS | 1 |
| 20 | 64163 | LOCKNUT, 3/8" VINYL SS | 7 |
| 21 | 63205 | BOLT, 3/8" X 3/4" HH SS | 4 |
| 22 | 62697 | BOLT, 3/8" X 1" HH SS | 6 |
| 23 | 63206 | LOCKWASHER, 3/8" SS | 4 |

Meyer Products LLC reserves the right, under its continuing product improvement program, to change construction or design detail, specifications and prices without notice or without incurring any obligation.

Meyer Products LLC
 18513 Euclid Ave • Cleveland, Ohio 44112
 Phone 216-486-1313 • Fax 216-486-9775
 www.meyerproducts.com • Email: sales@meyerproducts.com



ILLUSTRATED PARTS LISTING
EUROPEAN CE PV SPREADERS

SHIPPING CARTON

| Item | Part Number | Description | Qty |
|--|-------------|--------------------------------|-----|
| 1 | 62334 | Y, Control Panel | 1 |
| 2 | 63167 | Cable, Control Truck Pv,lpv,md | 1 |
| 3 | 62738 | Cable, Stop Lamp | 1 |
| 4 | 63251 | Wire, Rem. Batt.truck End-posi | 1 |
| 5 | 63584 | Wire, Rem. Batt. Lpv,ext.posit | 1 |
| 6 | 63580 | Circuit Breaker | 1 |
| 7 | 63582 | Boot, Circuit Breaker | 1 |
| 8 | 63586 | Bolt, 1/4-20 X 1 Hh Ss | 1 |
| 9 | 63587 | Flatwasher, 1/4" S.a.e. Ss | 1 |
| 10 | 64079 | Locknut, 1/4-20 Nylon Ss Sp | 1 |
| 11 | 64736 | Terminal, #10 Ring 10-12g | 1 |
| 12 | 63581 | Screw, 10-24 1/2 Hw Zp | 4 |
| ZP= Zinc Plated CS = Mild Carbon Steel SS= Stainless Steel A/R= As Required | | | |

Meyer Spreaders are protected by one or more of the following patents: 6698997, CA 2,415,540 C, 7588195, 8448882, 8505837, 8523086, 8657208, 6186731, 6,793,154 B2, 6722590, 6715703, 6978952, 6932287, 8505838, 8827002, 5842649, CA 2,435,106 C, 6364598.

Meyer Products LLC reserves the right, under its continuing product improvement program, to change construction or design detail, specifications and prices without notice or without incurring any obligation.

Meyer Products LLC
 18513 Euclid Ave • Cleveland, Ohio 44112
 Phone 216-486-1313 • Fax 216-486-9775
 www.meyerproducts.com • Email: sales@meyerproducts.com

