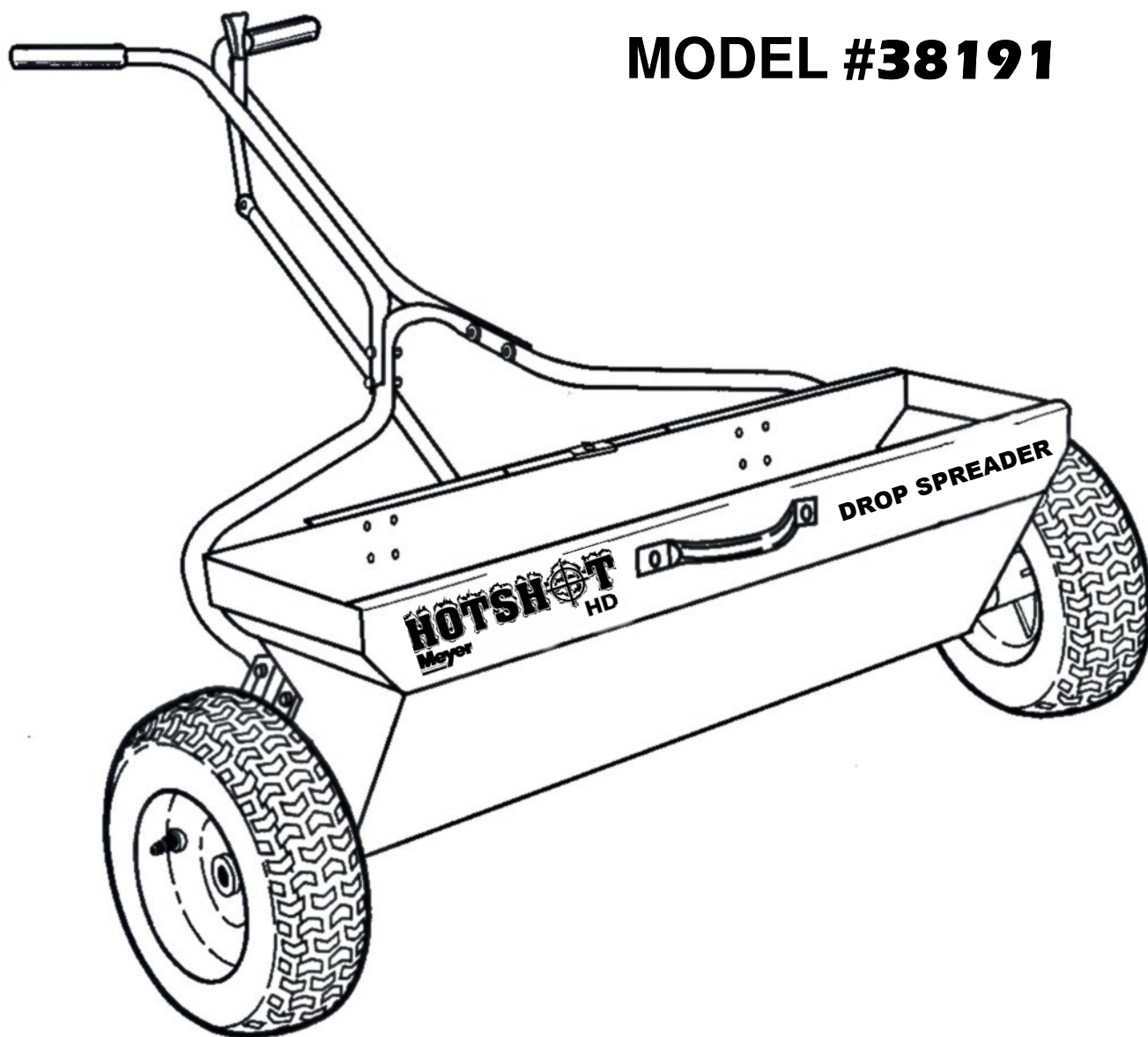


# **HOTSHOT**

## **COMMERCIAL DROP SPREADER**

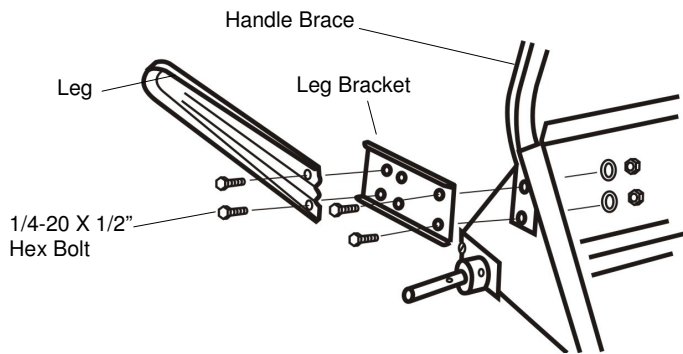
# **Meyer**<sup>®</sup>

## **MODEL #38191**

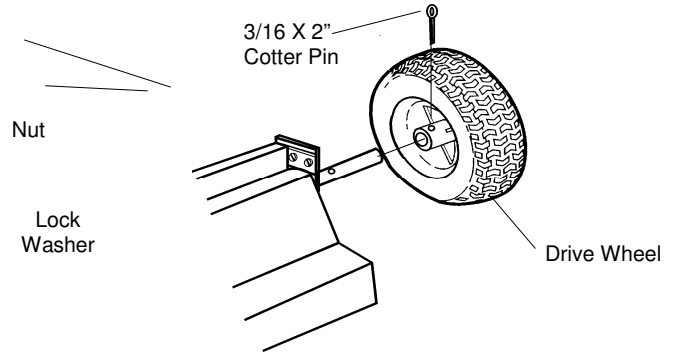


# **OWNER'S MANUAL**

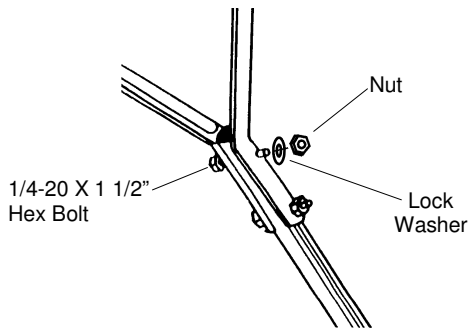
# ASSEMBLY INSTRUCTIONS



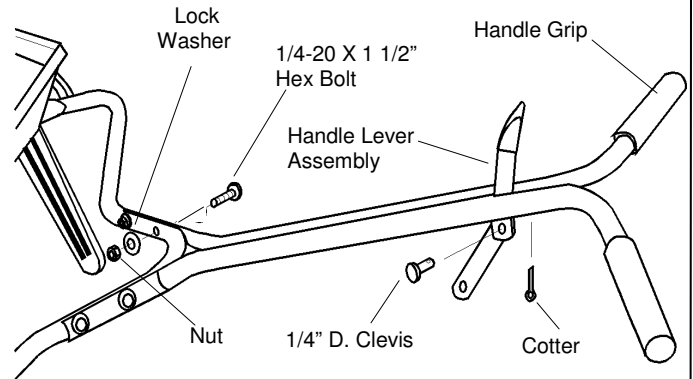
**1.** Remove spreader and components from carton. Place Hopper on it's front panel, insert two (2) 1/4-20 X 1/2" Hex Head Bolts through the Leg Bracket (note hole location), flattened end of Handle Brace, and holes in Hopper as shown. Install Lockwashers and Nuts. Secure Leg to Bracket (Leg can be located in 2 positions to best fit operator) using (2) 1/4-20 X 1/2" Hex Head Bolts, Lockwashers and Nuts. Repeat on opposite side.



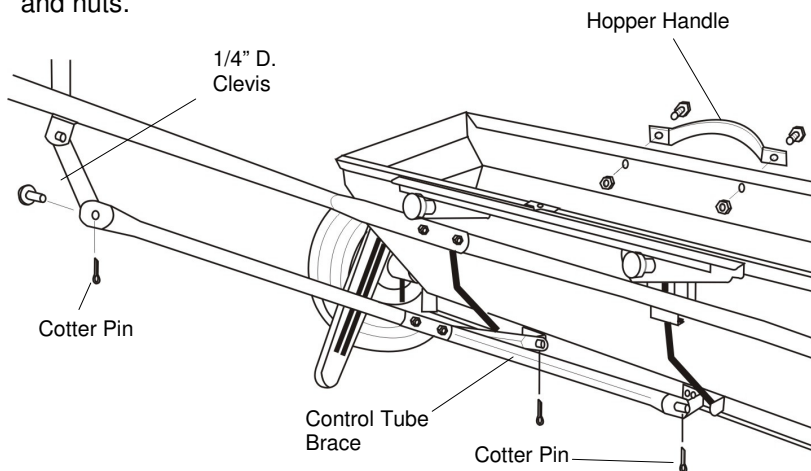
**2.** Slide Wheels onto each end of Axle with the longer portion of the Wheel facing the Hopper. Secure Wheels with 3/16 dia. x 2" Cotter Pins.



**3.** Install Control Tube between the Control Tube Braces and secure with (2) 1/4-20 X 1 1/2" Hex Bolts, Lockwashers, and nuts.



**4.** Stand spreader upright on Wheels. Attach Upper Handle assembly to Handle Brace (make sure Handle is positioned as shown) using (4) 1/4-20 X 1 1/2" Hex Bolts, (4) Lock Washers, and (4) Nuts. Tighten securely. Install Handle Grips onto Upper Handle. Slide Handle Lever assembly between Handle Brackets and secure with 1/4 dia, Clevis and Cotter Pin. Make sure Lever pivots freely.



**5.** Slide the ends of the Control Tube Braces over the Studs on the Shutoff Bar Brackets, secure with Cotter Pins. Attached opposite end of Control Tube to the Handle Lever using 1/4 dia. Clevis and Cotter Pin. Make sure Handle Lever operates freely. Tighten all Nuts left loose in step #1. Install Hopper Handle on front of spreader using two 1/4-20 x 1/2" Hex Bolts and Locknuts.

**6.** To check spreader for completed shutoff, pull the Handle Lever back to the "OFF" position. Turn spreader over to see if the Shutoff Bar completely covers the holes in the bottom of the Hopper. If not, stand the spreader upright on Wheels push the Handle Lever forward to the "ON" position. Loosen the Bolts in the Hopper holding the Handle Brace. Push down on the Handle Brace and the front of the Hopper. Retighten Bolts and check the shutoff.

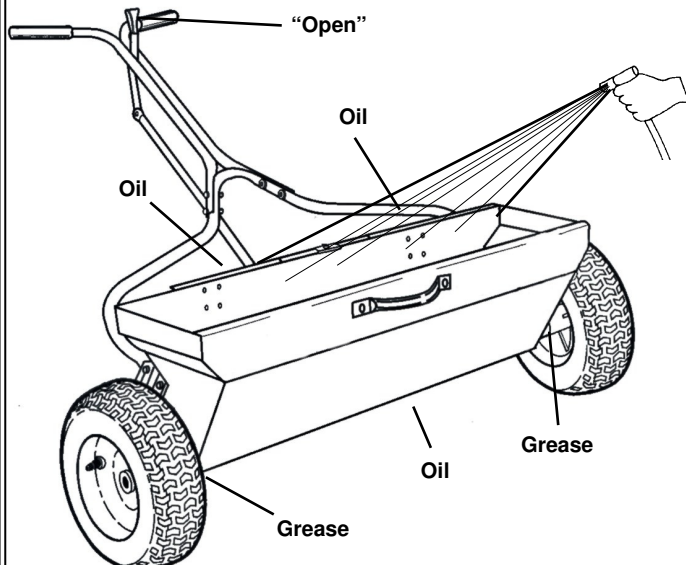
# OPERATION

1. Before filling Hopper, make sure spreader Handle Lever is in the "OFF" position. Always fill spreader on walk or drive, not on the lawn.
2. Loosen Rate Control Knobs and move the Tie Bar to the desired setting. If setting is not known, try different settings until desired results are achieved. Retighten knobs after setting is made.
3. Always push spreader, do not pull. Start spreader in motion and as it passes over the area to be treated, push Handle Lever to the "ON" position. Close Handle Lever at the end of each pass.

4. Operate spreader at 2 1/2 MPH pace. (18 feet in 5 seconds)
5. Apply two header strips at each end of area to be treated and then proceed lengthwise between the header strips. Be sure to overlap the wheel tracks slightly to prevent missed strips.
6. Apply ice melt prior to the storm to reduce unmanageable levels of ice and snow.

## MAINTENANCE

1. Never store unused material in spreader. Return unused product to its original container.
2. Set Rate Slide on the highest number, open spreader and spin Wheels to remove excess material.
3. Wash out Hopper thoroughly after each use to remove material clinging to surfaces. Pay close attention to area between the Shutoff Bar and Hopper. Allow spreader to completely dry.
4. Oil bottom of Hopper, Control Housing Spring and Agitators at the Center Bearing. Lubricate Axle Bearings with grease. Store spreader in open position.



## WARRANTY

### Meyer Products warrants to Purchaser the following:

Meyer Products, Inc., warrants to the original purchaser for a period of one year from the date of purchase of Meyer® and Diamond® brand spreader products that they will be free from defects in materials or workmanship, with the exceptions stated below. No person is authorized to change this warranty or to create any additional warranty on Meyer®/Diamond® products.

Meyer Products will repair any product that proves to be defective in materials or workmanship. In the event repair is not possible or practical (as determined by Meyer Products in its sole discretion), Meyer Products will either replace the product with a new product of similar model and price, or refund the full purchase price, as determined by Meyer Products. Customer must keep the complete spreader system serviced/maintained as recommended by Meyer Products.

This warranty does not cover:

- Problems caused by failure to follow the product instructions, or failure to maintain the product as described in the Operator's Manual;
- Damage resulting from rust, corrosion
- Damage caused by usage that is not in accordance with product instructions (use of the spreader for any purpose other than spreading approved material is considered misuse and abuse);
- Any spreader, or any part, component, or assembly thereof, which has been modified or altered;
- Problems caused by using accessories, parts, or components not supplied by Meyer Products;
- Cost of tax, freight, transportation or storage charges, environmental charges, solvents, sealants, lubricants or any other normal shop supplies.
- Problems caused by collision, fire, theft, vandalism, riot, explosion, lightning, earthquake, windstorm, hail, water, flood, or any other Acts of God;
- Liability for damage to property, or injury to, or death of any person arising out of the operation, maintenance or use of the covered product;
- Products with missing or altered serial numbers;

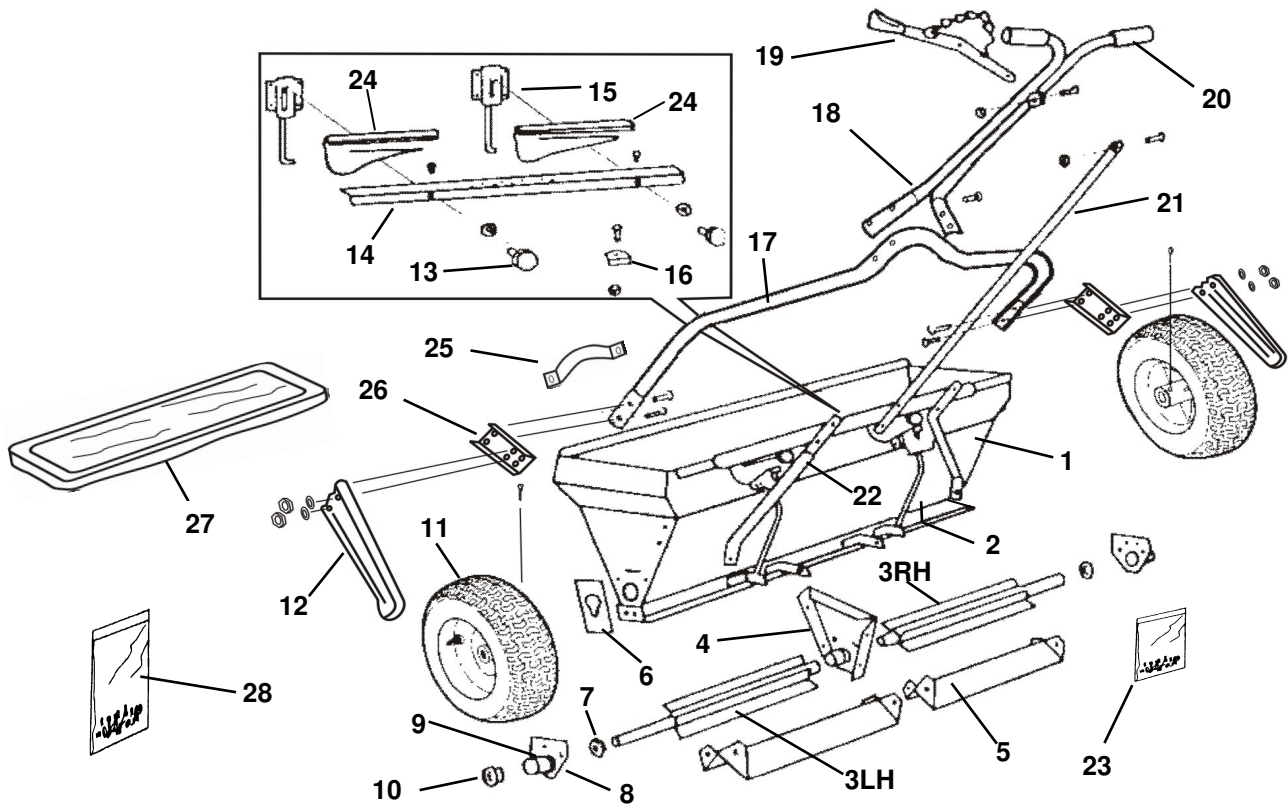
How To Get Service:

- It is the responsibility of the original purchaser to establish the warranty period by verifying the original delivery date. A bill of sale, cancelled check or some other appropriate payment record may be kept for that purpose. It is recommended, but not required, that the consumer verify the original delivery date by immediately returning the attached Warranty Registration Card.

How State Law Applies:

This warranty gives you specific legal rights, and you may also have other rights which vary from state to state.

# Parts List for Model #38191



PART OF OUR SERVICE IS PROVIDING REPLACEMENT PARTS. Parts may be obtained through your local distributor. Be sure to give:

IF YOUR LOCAL DISTRIBUTOR CANNOT SUPPLY PARTS, CONTACT:

**Meyer Products, Inc.**

18513 Euclid Ave  
Cleveland, Ohio 44112

216-486-1313  
www.meyerproducts.com

1. SPREADER MODEL NUMBER
2. SPREADER NAME
3. PART NUMBER
4. NAME OF PART AS SHOWN



ITEM	PART #	DESCRIPTION	ITEM	PART #	DESCRIPTION
1	PSB16357	Hopper Assembly	15	PSB14286	Spring Housing Assembly* (2)
2	PSB14479-1	Shutoff Bar Assembly*	16	PSB12708	Pointer*
3 LH.	PSB14643-1	Agitator/Axle Assembly-LH. *	17	PSB15029-1	Handle Brace
3 RH.	PSB14644-1	Agitator/Axle Assembly-RH.*	18	PSB15046	Upper Handle Assembly
4	PSB14590	Bearing Support Assembly*	19	PSB14047	Handle Lever Assembly W/ Chain
5	PSB14589	Agitator Baffle* (2)	20	PSB14870	Handle Grip (2)
6	PSB14227-1	End Hanger* (2)	21	PSB14415-1	Control Tube
7	PSB14007	Axle Grease Seal* (2)	22	PSB14409	Control Tube Brace (2)
8	PSB14222-1	Plate Assembly-Bearing End* (2)	23	PSB16403	Fastener Package
9	PSB90005	Grease Fitting* (2)	24	PSB14236	Rate Plate* (2)
10	PSB14006	Axle Bearing* (2)	25	PSB15048	Hopper Lift Handle
11	PSB16355	Wheel & Tire Assembly (2)	26	PSB16383	Leg Extension Bracket (2)
12	PSB12714	Leg (2)	27	PSB15172	Hopper Cover
13	PSB12704	Rate Control Knob* (2)	28	PSB16404	Parts Package
14	PSB14237	Tie Bar*			

\*Parts included in hopper assembly