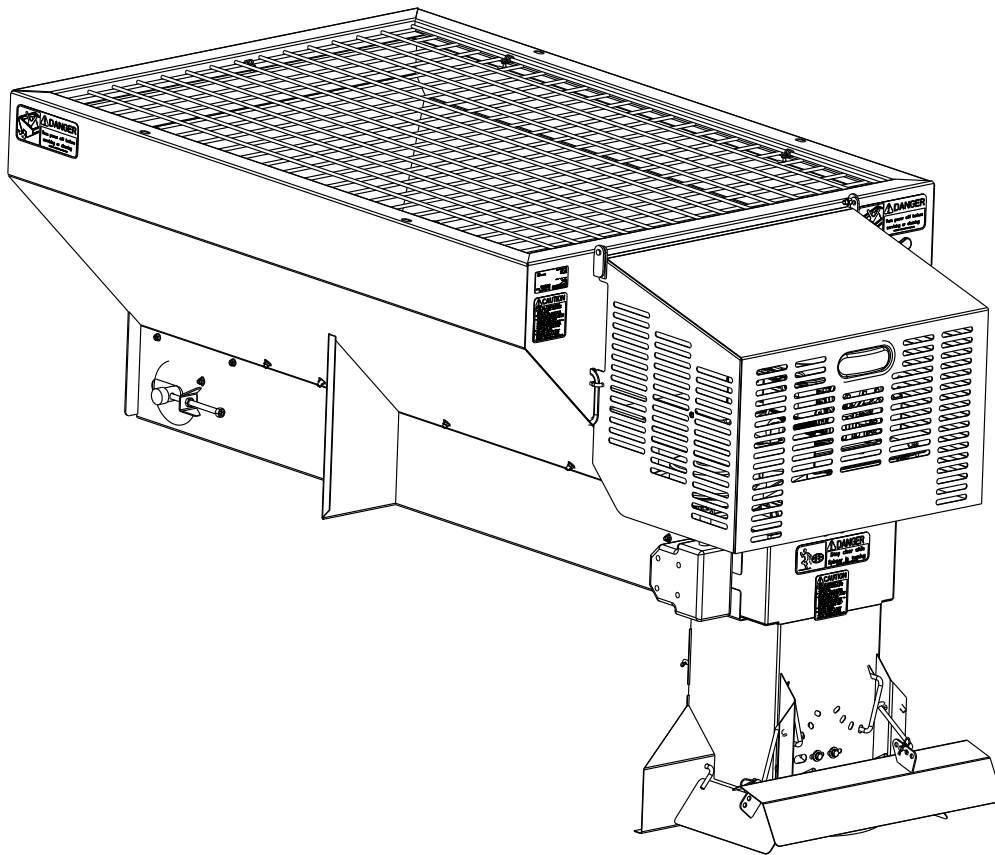


ILLUSTRATED PARTS LISTING
EUROPEAN CE PV SPREADERS

Models: 64288CE, 64289CE, 64290CE, 64291CE, 64292CE, 64293CE, 64294CE, 64295CE



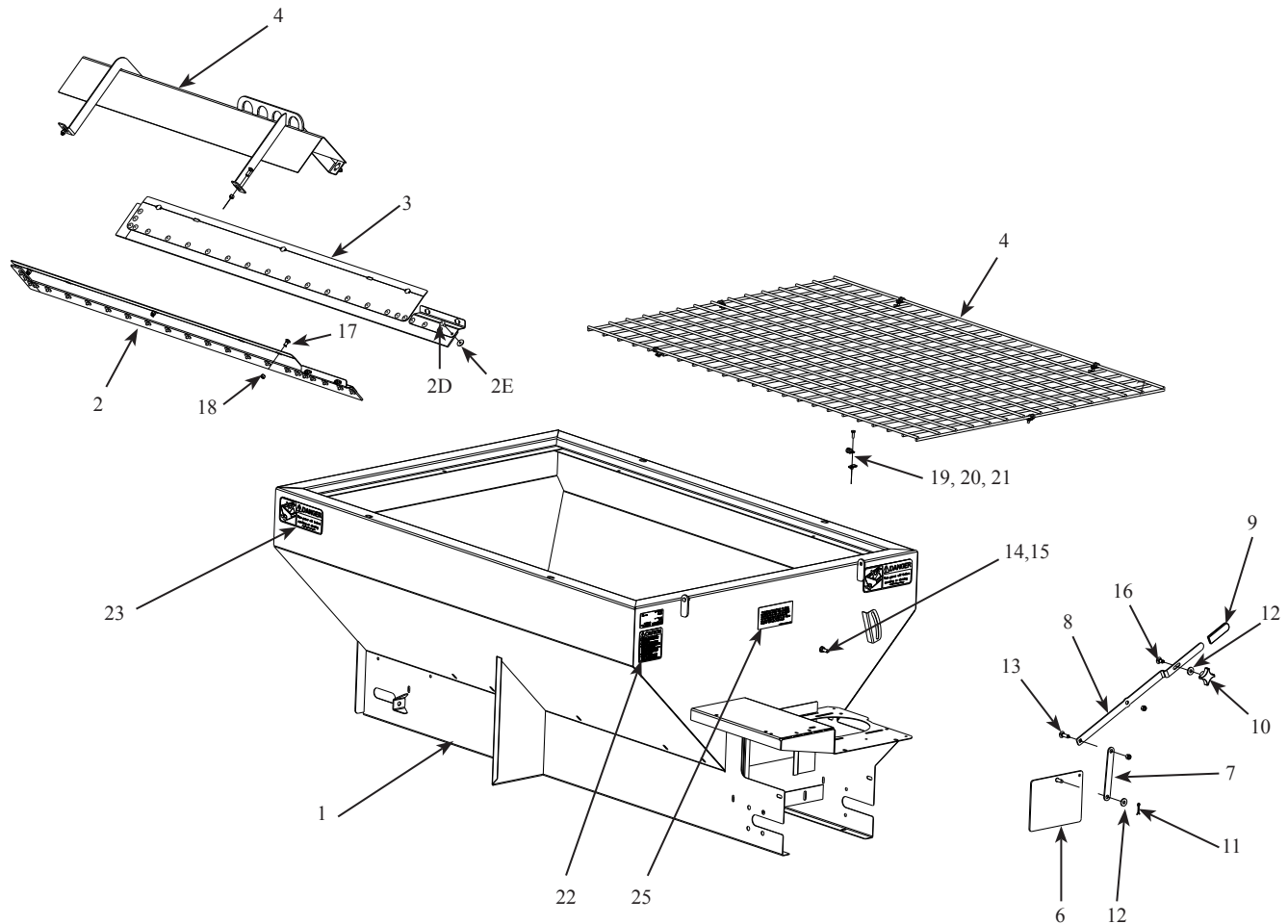
Meyer Products LLC reserves the right, under its continuing product improvement program, to change construction or design detail, specifications and prices without notice or without incurring any obligation.

Meyer Products LLC
18513 Euclid Ave • Cleveland, Ohio 44112
Phone 216-486-1313 • Fax 216-486-9775
www.meyerproducts.com • Email: sales@meyerproducts.com



ILLUSTRATED PARTS LISTING EUROPEAN CE PV SPREADERS

HOPPER ASSEMBLY



Meyer Products LLC reserves the right, under its continuing product improvement program, to change construction or design detail, specifications and prices without notice or without incurring any obligation.

Meyer Products LLC
18513 Euclid Ave • Cleveland, Ohio 44112
Phone 216-486-1313 • Fax 216-486-9775
www.meyerproducts.com • Email: sales@meyerproducts.com



ILLUSTRATED PARTS LISTING

EUROPEAN CE PV SPREADERS

HOPPER ASSEMBLY

Item	Part Number	Description	Qty
1	66024	WELD, HOPPER 5' BOC CS	1
	66025	WELD, HOPPER 5' BOC SS	
	66022	WELD, HOPPER 6' BOC CS	
	66023	WELD, HOPPER 6' BOC SS	
2	66026	Y, LH CHAINSHIELD CS 5'	1
	66027	Y, LH CHAINSHIELD SS 5'	
	66028	Y, LH CHAINSHIELD CS 6'	
	66029	Y, LH CHAINSHIELD SS 6'	
2A	66030	FORM, CHAINSHIELD LH 5' CS	1
	66031	FORM, CHAINSHIELD LH 5' SS	
	66032	FORM, CHAINSHIELD LH 6' CS	
	66033	FORM, CHAINSHIELD LH 6' SS	
2B	66034	FORM, SPROCKET SHIELD CS	1
	66035	FORM, SPROCKET SHIELD SS	
2C	66036	STRIP, SEAL 5'	1
	66037	STRIP, SEAL 6'	
2D	64494	RIVET	23
2E	63210	WASHER, FENDER	23
3	66038	Y, RH CHAINSHIELD CS 5'	1
	66039	Y, RH CHAINSHIELD SS 5'	
	66040	Y, RH CHAINSHIELD CS 6'	
	66041	Y, RH CHAINSHIELD SS 6'	
3A	66042	FORM, CHAINSHIELD RH 5' CS	1
	66043	FORM, CHAINSHIELD RH 5' SS	
	66044	FORM, CHAINSHIELD RH 6' CS	
	66045	FORM, CHAINSHIELD RH 6' SS	
3B	66034	FORM, SPROCKET SHIELD CS	1
	66035	FORM, SPROCKET SHIELD SS	
3C	66036	STRIP, SEAL 5'	2
	66037	STRIP, SEAL 6'	
3D	64494	RIVET	23
3E	63210	WASHER, FENDER	23
4	63184	WELD, INVERTED VEE	1
5	66017	SCREEN, 5'	1
	66018	SCREEN, 6'	
6	62281	WELD, FEEDGATE CS	1
	63822	WELD, FEEDGATE SS	
7	62270	BAR, PIVOT CS	1
	63817	BAR, PIVOT SS	
8	63294	FORM, FEEDGATE HANDLE CS	1
	63817	FORM, FEEDGATE HANDLE SS	
9	64164	COVER, FEEDGATE HANDLE	1
10	61169	KNOB, HAND	1
11	62691	PIN, COTTER	1
12	22230	FLATWASHER, 3/8" SS	2
13	62813	BOLT, 3/8" X 1-1/4" CA SS	1
14	62695	BOLT, 3/8" X 1-1/4" HH SS	1
15	62696	LOCKNUT, 3/8" VINYL SS	3
16	63417	BOLT, 3/8" X 3/4" CA SS	1
17	62640	BOLT, 5/16" X 3/4" CA SS	10
18	64163	LOCKNUT, 5/16" VINYL SS	10
19	62189	BOLT, 1/4" X 1" HH SS	6
20	63245	CLAMP, CUSHION	6
21	64473	NUT, CLIP-ON 1/4"	6
22	62007	DECAL, CAUTION	1
23	62009	DECAL, DANGER	3
24	64817	DECAL, MEYER	3
25	62644	DECAL, WARRANTY	1

ZP= Zinc Plated CS = Mild Carbon Steel SS= Stainless Steel A/R= As Required

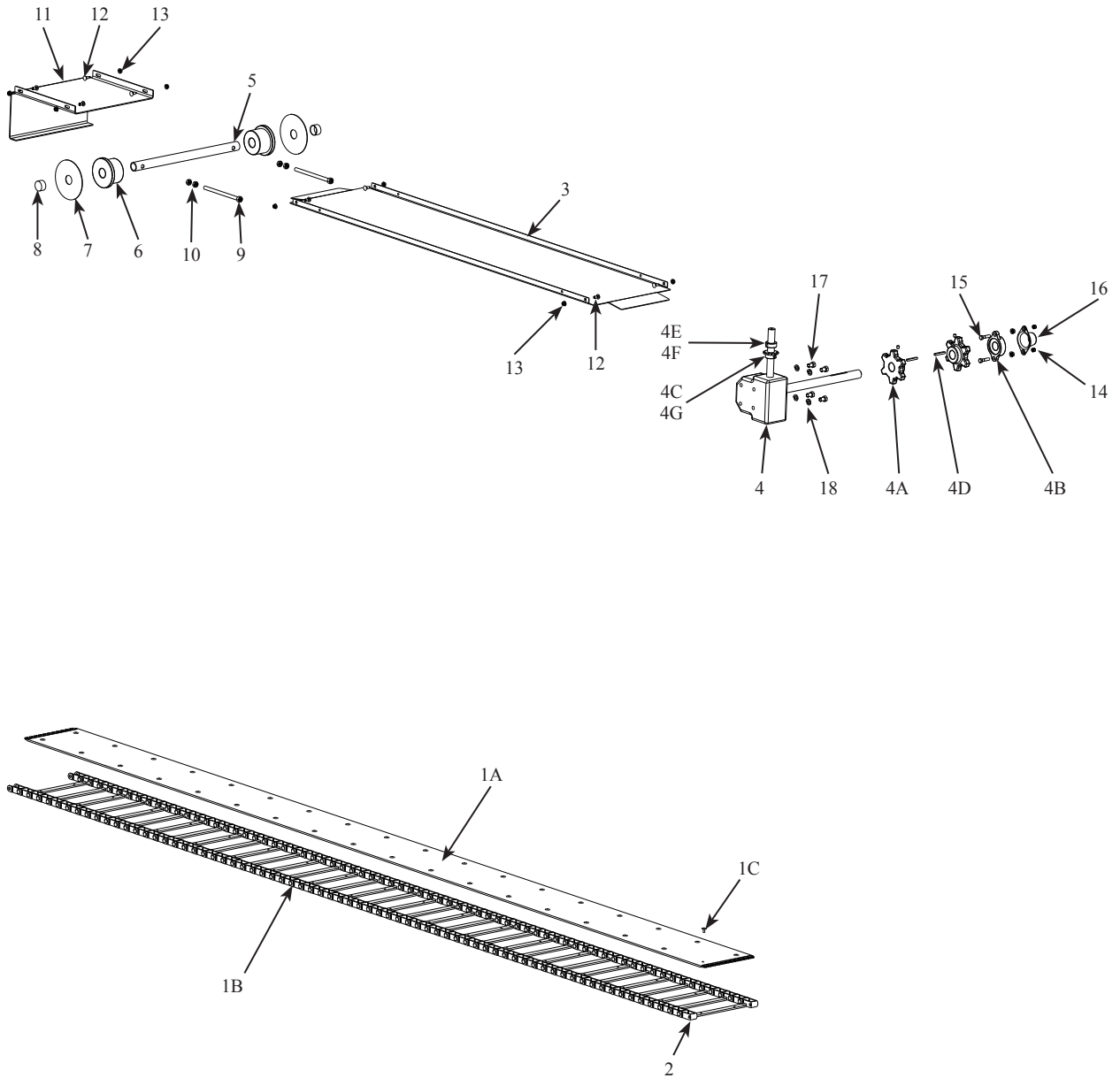
Meyer Products LLC reserves the right, under its continuing product improvement program, to change construction or design detail, specifications and prices without notice or without incurring any obligation.

Meyer Products LLC
 18513 Euclid Ave • Cleveland, Ohio 44112
 Phone 216-486-1313 • Fax 216-486-9775
 www.meyerproducts.com • Email: sales@meyerproducts.com



ILLUSTRATED PARTS LISTING EUROPEAN CE PV SPREADERS

CONVEYOR ASSEMBLY



Meyer Products LLC reserves the right, under its continuing product improvement program, to change construction or design detail, specifications and prices without notice or without incurring any obligation.

Meyer Products LLC
 18513 Euclid Ave • Cleveland, Ohio 44112
 Phone 216-486-1313 • Fax 216-486-9775
 www.meyerproducts.com • Email: sales@meyerproducts.com



ILLUSTRATED PARTS LISTING

EUROPEAN CE PV SPREADERS

CONVEYOR ASSEMBLY

Item	Part Number	Description	Qty
1	64998	5' PV BOC ASSEMBLY	1
	64596	6' PV BOC ASSEMBLY	
1A	66012	BELT, CONVEYOR 5'	1
	66013	BELT, CONVEYOR 6'	
1B	66010	WELD, DRAG CHAIN 5' BOC	1
	66011	WELD, DRAG CHAIN 6' BOC	
1C	66014	RIVET	36
2	61174	PIN, MASTER W / COTTER	2
3	66006	FORM, FLOOR 5' CS	1
	66007	FORM, FLOOR 5' SS	
	66008	FORM, FLOOR 6' CS	
	66009	FORM, FLOOR 6' SS	
4	63410	GEARBOX, 20:1	1
4A	61175	SPROCKET, DRIVE W/ SET SCREWS	2
4B	61163	BEARING, 1-1/4"	1
4C	63685	SPROCKET, #40B-13	1
4D	62000	KEY, 1/4 X 2"	2
4E	62769	COLLAR, 1" SET	1
4F	61202	SNAP, RING	1
4G	61201	KEY, WOODRUFF	1
5	64062	SHAFT, IDLER	1
6	64063	ROLLER, IDLER	2
7	64732	WASHER, IDLER CS	2
	64631	WASHER, IDLER SS	
8	64064	COVER, IDLER	2
9	62304	WELD, TAKEUP BOLT	2
10	62336	NUT, 1/2" JAM	4
11	63264	COVER, FRONT CONVEYOR	1
12	62640	BOLT, 5/16" X 3/4" CA SS	8
13	64163	LOCKNUT, 5/16" VINYL SS	8
14	62696	LOCKNUT, 3/8" VINYL SS	4
15	64035	BOLT, 3/8" X 1-1/2" HH SS	2
16	64385	COVER, BEARING	1
17	62750	BOLT, 1/2" X 3/4" HH SS	4
18	62770	LOCKWASHER, 1/2" SS	4
ZP= Zinc Plated CS = Mild Carbon Steel SS= Stainless Steel A/R= As Required			

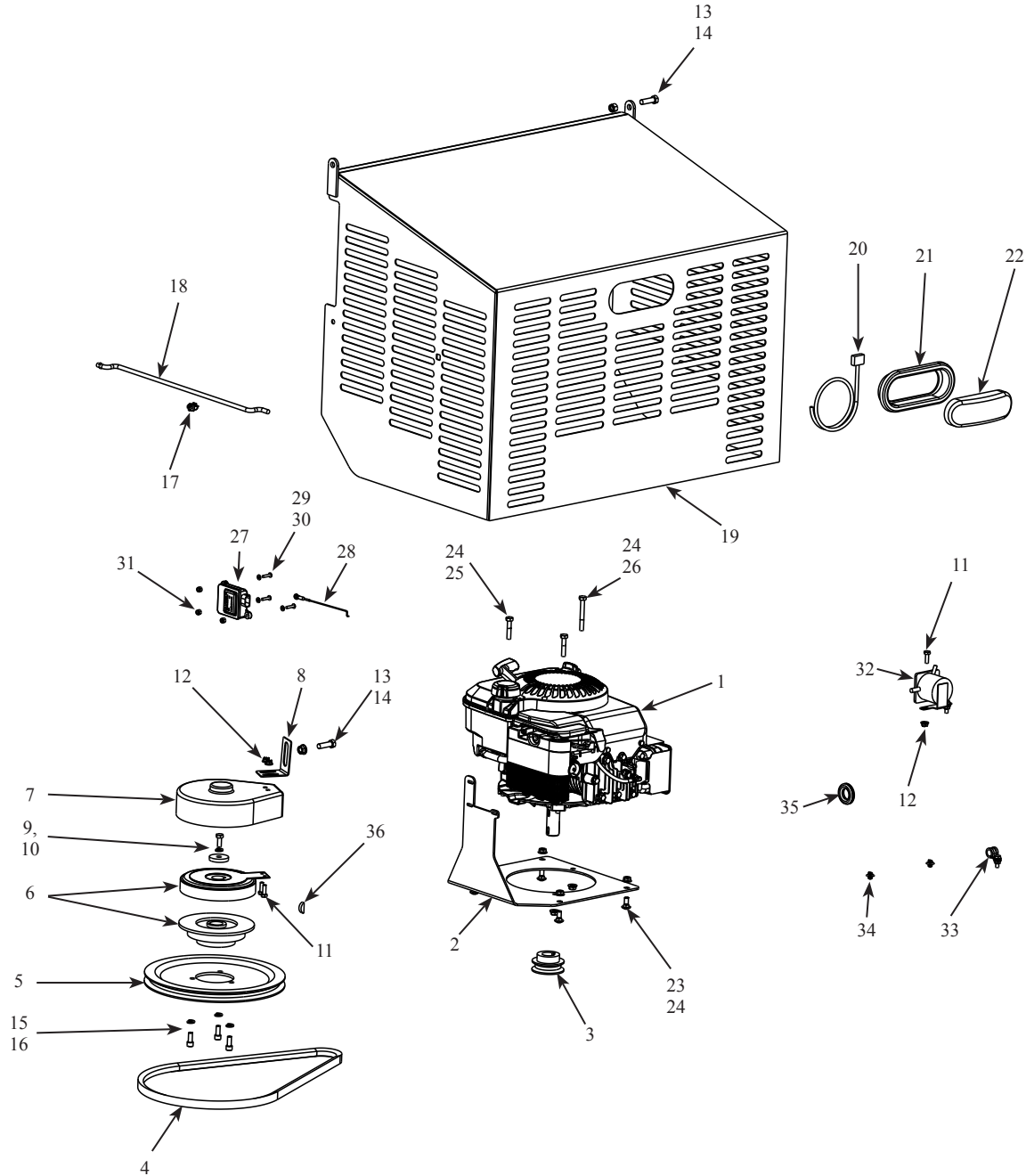
Meyer Products LLC reserves the right, under its continuing product improvement program, to change construction or design detail, specifications and prices without notice or without incurring any obligation.

Meyer Products LLC
 18513 Euclid Ave • Cleveland, Ohio 44112
 Phone 216-486-1313 • Fax 216-486-9775
 www.meyerproducts.com • Email: sales@meyerproducts.com



ILLUSTRATED PARTS LISTING EUROPEAN CE PV SPREADERS

ENGINE ASSEMBLY



Meyer Products LLC reserves the right, under its continuing product improvement program, to change construction or design detail, specifications and prices without notice or without incurring any obligation.

Meyer Products LLC
 18513 Euclid Ave • Cleveland, Ohio 44112
 Phone 216-486-1313 • Fax 216-486-9775
 www.meyerproducts.com • Email: sales@meyerproducts.com



ILLUSTRATED PARTS LISTING

EUROPEAN CE PV SPREADERS

ENGINE ASSEMBLY

Item	Part Number	Description	Qty
1	64245	ENGINE, B&S	1
2	66019	PLATE, ENGINE ADAPTER CS	1
	66020	PLATE, ENGINE ADAPTER CS	
3	61177	PULLEY, DRIVER	1
4	62940	BELT	1
5	61161	PULLEY, DRIVEN	1
6	61167	CLUTCH	1
7	61168	COVER, CLUTCH	1
8	61176	RETAINER, CLUTCH	1
9	63103	WASHER, CLUTCH RETAINER	1
10	62752	BOLT, 5/16" X 3/4"	1
11	62189	BOLT, 1/4" X 3/4" HH SS	4
12	64079	LOCKNUT, 1/4" VINYL SS	4
13	62695	BOLT, 3/8" 1-1/4" HH SS	2
14	64163	LOCKNUT, 3/8" VINYL SS	2
15	63309	LOCKWASHER, 5/16" ZP	3
16	62634	SCREW, 5/16" X 5/8" SOC	3
17	62725	CLAMP, PROP ROD	1
18	61215	ROD, PROP	1
19	63017	WELD, ENGINE SHROUD CS	1
	63021	WELD, ENGINE SHROUD SS	
20	62715	GROMMET, LIGHT	1
21	62714	LIGHT, CHMSL	1
22	62364	CABLE, LIGHT POWER	1
23	62640	BOLT, 5/16" X 3/4" CA SS	4
24	64163	LOCKNUT, 5/16" VINYL SS	7
25	62273	BOLT, 5/16" X 1-1/2" HH SS	2
26	63249	BOLT, 5/16" X 2-1/2" HH SS	1
27	63165	ACTUATOR, THROTTLE	1
28	62720	LINKAGE, THROTTLE	1
29	62649	SCREW, 8-32 X 3/4" SS	3
30	62651	FLATWASHER, #8 SS	3
31	62650	LOCKNUT, #8 SS	3
32	61179	SOLENOID, STARTER	1
33	62652	CLAMP, CUSHIONED	1
34	64411	HOLDER, NYLON TIE	2
35	62765	GROMMET	1
36	61201	KEY, 1/4" WOODRUFF	1
N/S	64086	CABLE, SPREADER CONTROL	1

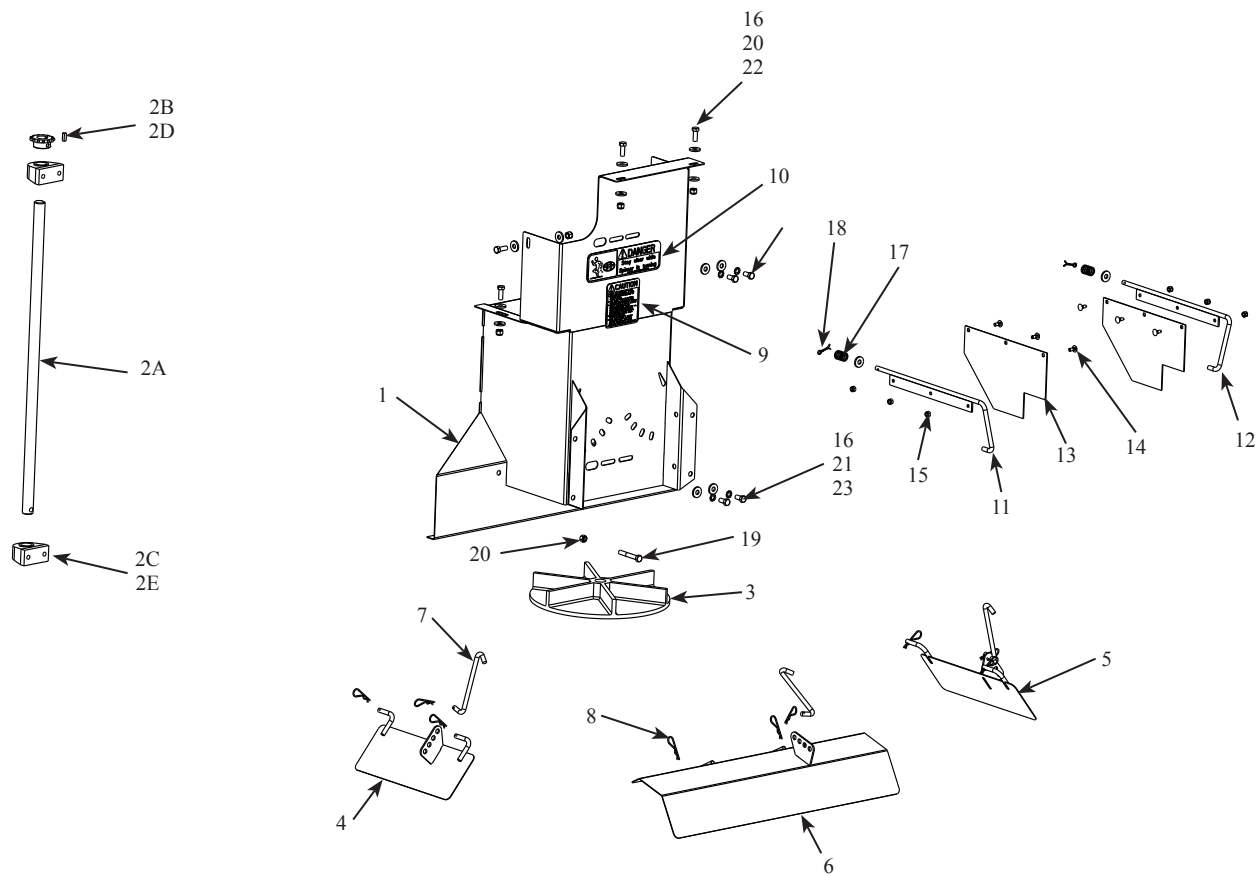
Meyer Products LLC reserves the right, under its continuing product improvement program, to change construction or design detail, specifications and prices without notice or without incurring any obligation.

Meyer Products LLC
 18513 Euclid Ave • Cleveland, Ohio 44112
 Phone 216-486-1313 • Fax 216-486-9775
www.meyerproducts.com • Email: sales@meyerproducts.com



ILLUSTRATED PARTS LISTING EUROPEAN CE PV SPREADERS

SPINNER ASSEMBLY



Meyer Products LLC reserves the right, under its continuing product improvement program, to change construction or design detail, specifications and prices without notice or without incurring any obligation.

Meyer Products LLC
18513 Euclid Ave • Cleveland, Ohio 44112
Phone 216-486-1313 • Fax 216-486-9775
www.meyerproducts.com • Email: sales@meyerproducts.com



ILLUSTRATED PARTS LISTING

EUROPEAN CE PV SPREADERS

SPINNER ASSEMBLY

Item	Part Number	Description	Qty
1	66021	WELD, SPINNER FRAME CS	1
	63829	WELD, SPINNER FRAME SS	
2	63406	Y, SPINNER SHAFT	1
2A	62933	SHAFT, SPINNER	1
2B	63685	SPROCKET, #40B 13 X 1"	1
2C	62356	BEARING	2
2D	63090	KEY, 1/4" SQ X 3/4"	1
2E	62988	FITTING, ZERK	2
3	62146	DISC, SPINNER	1
4	61181	WELD, BAFFLE LH CS	1
	63819	WELD, BAFFLE LH SS	
5	61182	WELD, BAFFLE RH CS	1
	63818	WELD, BAFFLE RH SS	
6	61183	WELD, BAFFLE REAR CS	1
	63820	WELD, BAFFLE REAR SS	
7	62313	BAR, LINK	3
8	63091	PIN, HAIR	9
9	62007	DECAL, CAUTION	1
10	62006	DECAL, DANGER	1
11	62333	WELD, HANDLE LH CS	1
	62826	WELD, HANDLE LH SS	
12	62331	WELD, HANDLE RH CS	1
	63825	WELD, HANDLE RH SS	
13	62688	PLATE, BAFFLE CS	2
	64633	PLATE, BAFFLE CS	
14	62689	BOLT, 1/4" X 5/8" CA SS	6
15	64079	LOCKNUT, 1/4" VINYL SS	6
16	22230	FLATWASHER, 3/8" SS	18
17	62358	SPRING, COMPRESSION	2
18	62691	PIN, 1/8" X 1" COTTER SS	2
19	63198	BOLT, 3/8" X 2-1/2" HH SS	1
20	64163	LOCKNUT, 3/8" VINYL SS	7
21	63205	BOLT, 3/8" X 3/4" HH SS	4
22	62697	BOLT, 3/8" X 1" HH SS	6
23	63206	LOCKWASHER, 3/8" SS	4

Meyer Products LLC reserves the right, under its continuing product improvement program, to change construction or design detail, specifications and prices without notice or without incurring any obligation.

Meyer Products LLC
 18513 Euclid Ave • Cleveland, Ohio 44112
 Phone 216-486-1313 • Fax 216-486-9775
 www.meyerproducts.com • Email: sales@meyerproducts.com



ILLUSTRATED PARTS LISTING
EUROPEAN CE PV SPREADERS

SHIPPING CARTON

Item	Part Number	Description	Qty
1	62334	Y, Control Panel	1
2	63167	Cable, Control Truck Pv,lpv,md	1
3	62738	Cable, Stop Lamp	1
4	63251	Wire, Rem. Batt.truck End-posi	1
5	63584	Wire, Rem. Batt. Lpv,ext.posit	1
6	63580	Circuit Breaker	1
7	63582	Boot, Circuit Breaker	1
8	63586	Bolt, 1/4-20 X 1 Hh Ss	1
9	63587	Flatwasher, 1/4" S.a.e. Ss	1
10	64079	Locknut, 1/4-20 Nylon Ss Sp	1
11	64736	Terminal, #10 Ring 10-12g	1
12	63581	Screw, 10-24 1/2 Hw Zp	4
ZP= Zinc Plated CS = Mild Carbon Steel SS= Stainless Steel A/R= As Required			

Meyer Spreaders are protected by one or more of the following patents: 6698997, CA 2,415,540 C, 7588195, 8448882, 8505837, 8523086, 8657208, 6186731, 6,793,154 B2, 6722590, 6715703, 6978952, 6932287, 8505838, 8827002, 5842649, CA 2,435,106 C, 6364598.

Meyer Products LLC reserves the right, under its continuing product improvement program, to change construction or design detail, specifications and prices without notice or without incurring any obligation.

Meyer Products LLC
 18513 Euclid Ave • Cleveland, Ohio 44112
 Phone 216-486-1313 • Fax 216-486-9775
 www.meyerproducts.com • Email: sales@meyerproducts.com

