



**Meyer** HIGH PERFORMANCE SNOW & ICE EQUIPMENT

REINVENTED EVERY DAY.

# CONTENTS

Reinvented Every Day ..... 2-5

Lot Pro™ Contractor Plow ..... 6-7

Diamond Edge™ Contractor Plow ..... 8-9

Road Pro-32™ Contractor Plow ..... 10-11

Road Pro-36™ Contractor Plow ..... 12-13

Super-V/V2™ Contractor Plows ..... 14-15

½-Ton Pickup Plows ..... 16-17

Drive Pro™ Personal/Contractor Plow ..... 18-19

Plow Specifications ..... 20-21

Accessories ..... 22-23

We're proud to say we created the world's first automobile snow plow.



# REINVENTED EVERY DAY.

Today, Meyer offers the largest line of commercial plows in the industry, from small straight blades for tight areas to large plows for municipal applications. If a vehicle is used for work, we make a plow for it.



**But we're even more proud to say that spirit of invention and innovation lives on today.** It's our culture to constantly search for ideas and new ways to make snow and ice management easier and more efficient with features like Hands-Free Plowing™ and America's best warranty. Because you're never satisfied until the job is done right, and neither are we.

## The 1930s



Developed the T-1 Electric Hydraulic Lift, the first ever.

## The 1940s



Designed the first plow for 4-wheel drive vehicles.

## The 1960s



Introduced power angling rams and plow headlights.

## The 1990s



Introduced the first poly moldboards.



*Some plows shown with optional equipment.*



# Totally Redesigned. Totally Reinvented.

Reinvention starts with a renewed interest in listening to end-users. And it leads to features that make your job easier, like hands-free plowing, rugged design, and America's best warranty. Find these new features and more in today's totally redesigned, totally reinvented Meyer.<sup>®</sup>



## The Only Plows with a 5-Year Warranty

Plow as long as you want knowing your plow's covered for a full 5 years\*. It's the longest and strongest warranty in the industry.

\* Requires online registration to receive 5-year coverage.



*Lot Pro™ shown with Ground Tracking Technology.™*

## Controllers Featuring Hands-Free Plowing™

Meyer offers three controller options: EZ-1 pistol grip, joystick or touchpad. The Meyer EZ-1 pistol grip controller and joystick controller feature diagnostics and a Hands-Free Plowing (HFP) mode. When activated, HFP uses the shift lever to control the up/down movement of the blade. The EZ-1 pistol grip controller also features double-click technology. Double-click a button, and the moldboard automatically moves in that direction without having to keep your finger on the button. The touchpad controller features backlit buttons, easy-to-use functionality and diagnostics. A wireless controller kit is available for all new Meyer wired controllers.



## Tallest, Most Aggressive Moldboards

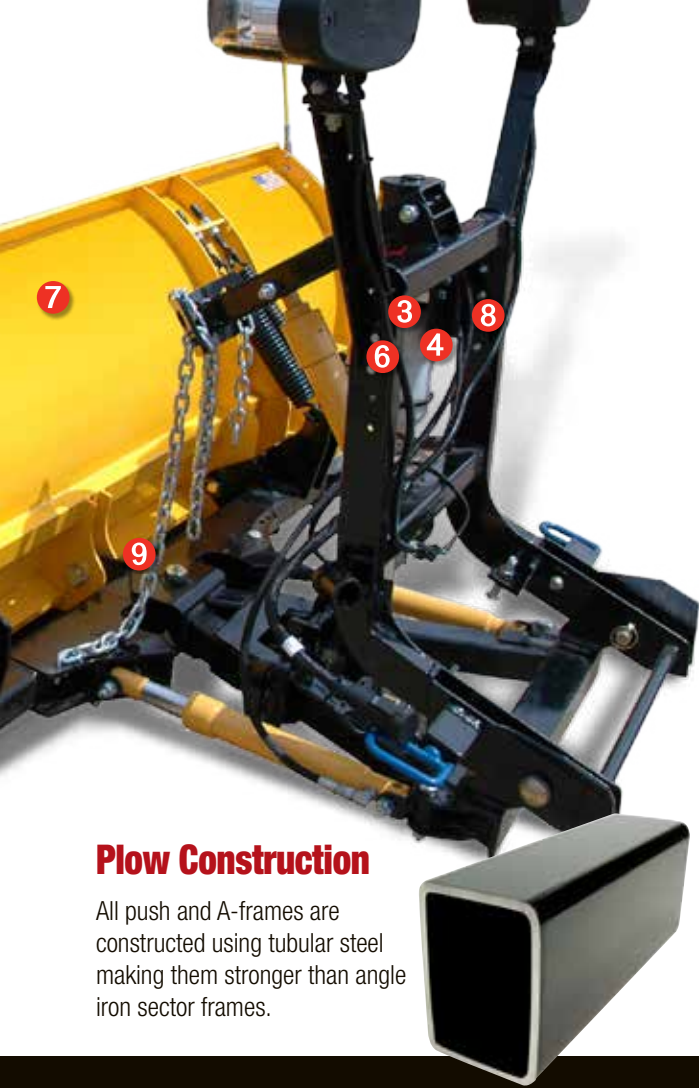
Our moldboards are the industry's tallest and feature aggressive attack angles. A taller moldboard lets you push more snow, and an aggressive attack angle leaves the surface cleaner.



## One-piece Plug Connection

Unlike competitors who have up to three plugs, the EZ-Mount Plus comes with one patented plug to connect and disconnect the mounting system. It's silver coated for maximum corrosion resistance and triple sealed to keep moisture out.





## Plow Construction

All push and A-frames are constructed using tubular steel making them stronger than angle iron sector frames.

- 1 Slot & Tab Construction**  
A strong and more precise way to fit steel together.
- 2 Robotically-Welded Seams and Cross-Sections**  
State-of-the-art robotic welders never get tired and never make a mistake.
- 3 Custom Molded Hydraulic Cover**  
Standard on E-58H and E-72 units. Protects from salt and road grime for improved reliability.
- 4 Triple-Layer Waterproofed Seals**  
Three times the waterproofing protection of most plow seals.
- 5 Heavy-Duty Trip Springs**  
Heavier gauge and more efficient design yield the longest service life in the industry.
- 6 Sealed Coils & Connectors**  
Reduces debilitating corrosion of electrical system and mechanical parts.
- 7 Dura-Slick™ Paint with Teflon®**  
Automotive-style paint is baked on to the steel for durability and better snow-rolling action.
- 8 Patented Single-Piece Power Plug**  
Patented one-connector design means fewer wires and connecting points to fail.
- 9 Easy Access Grease Points**  
Easily accessible grease points at high-wear areas.

## Reliable and Responsive Operation

The driving force behind every Meyer snowplow is a reliable and responsive hydraulic system. Triple-layered sealed coils and connectors virtually eliminate corrosion and moisture often found in electrical and mechanical systems. All Meyer hydraulic systems ship standard with custom-molded covers to help protect the units from road salt and grime.



## Fleet Friendly Plows

Plow contractors need fleet-friendly plows and mounts in order to easily move a plow from one vehicle to another. That's why all newer Meyer straight blades and V-plows have interchangeable mounts and controllers. This gives contractors the flexibility they need.



REINVENTED EVERY DAY.

**When you need the lot to look like it's July.**



*Lot Pro shown with optional equipment.*

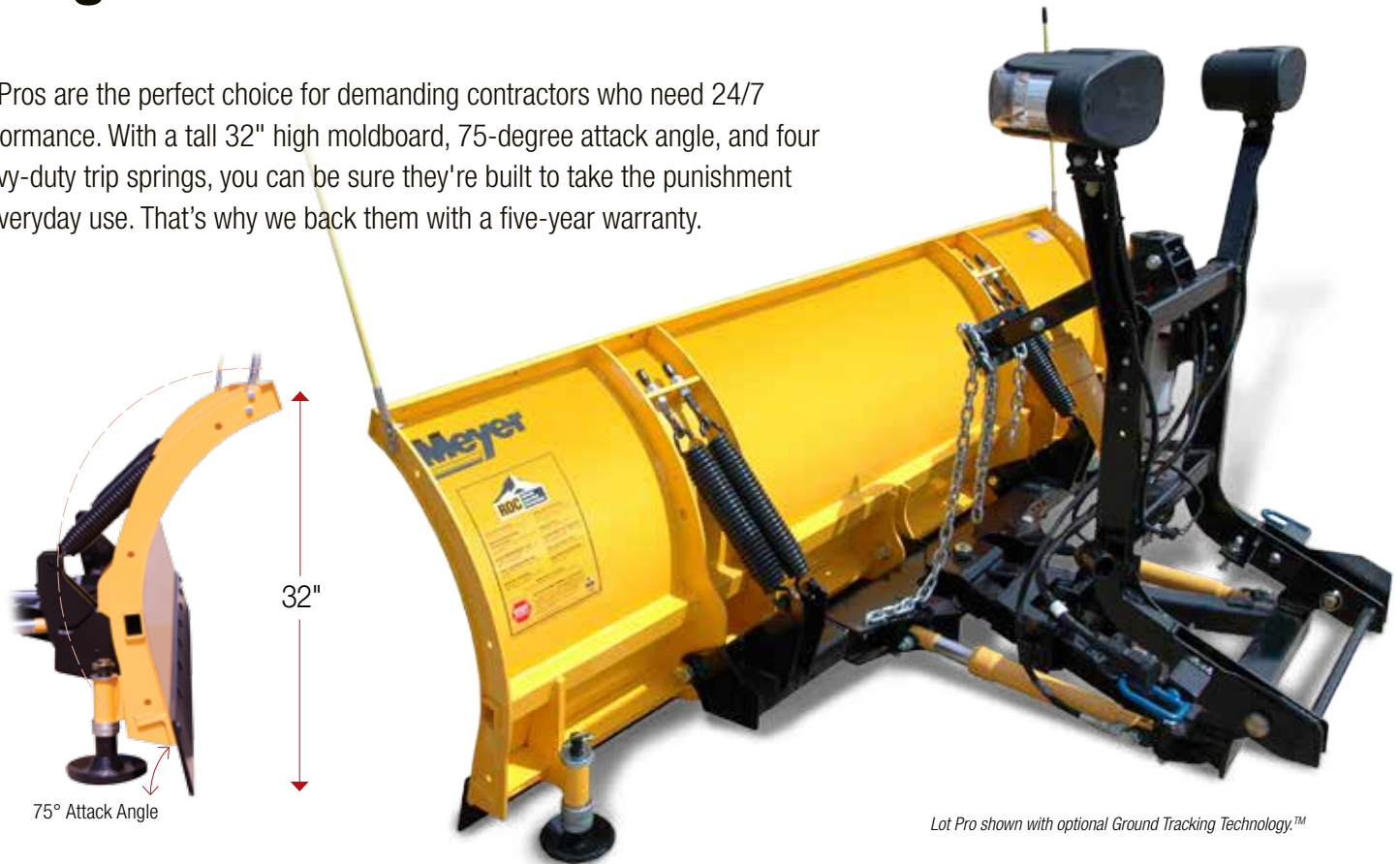
# LOT PRO™

FITS ¾-TON TRUCKS AND UP

Lot Pro plows are the backbone of today's most demanding contractor fleets. The design and construction make it easier to clear snow faster than ever before.

# Designed for around-the-clock contractor use.

Lot Pros are the perfect choice for demanding contractors who need 24/7 performance. With a tall 32" high moldboard, 75-degree attack angle, and four heavy-duty trip springs, you can be sure they're built to take the punishment of everyday use. That's why we back them with a five-year warranty.



Lot Pro shown with optional Ground Tracking Technology.™

## Multi-Position Wings

These optional all-steel wings greatly improve the performance and efficiency of your Lot Pro. They can be positioned independently to create a box, scoop or straight blade plow by pulling one pin.



## The Choice Is Yours

Lot Pros are available in a variety of lengths in carbon steel or poly.



## Better Lights for Better Sight

It's hard to plow what you can't see, so all Meyer snowplows come with dual halogen Nite Saber® II lights which are fully adjustable and iso-mounted to resist vibration. Nite Saber II lights feature easy-to-replace dual halogen bulbs and wrap-around turn signals.



REINVENTED EVERY DAY.

# LOT PRO™

**Heavy-duty plows that don't lie down on the job.**



*Diamond Edge shown with optional equipment.*

# DIAMOND EDGE™

FITS ¾-TON TRUCKS AND UP

For contractors that want a bottom-trip plow, the Meyer Diamond Edge is the ideal solution. The aggressive bottom-trip design keeps the blade upright and performing when it hits an obstacle or obstruction in a parking lot.

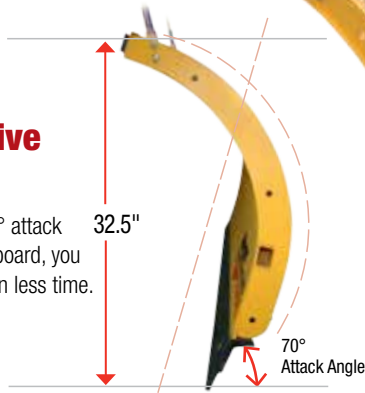


# Bottom-trip performance for demanding conditions.

Boasting a 32.5" height and 70-degree attack angle, the Meyer Diamond Edge plow is the tallest and most aggressive bottom-trip contractor-grade plow on the market. The bottom-trip design keeps the load and absorbs and dissipates the shock when an obstruction is encountered saving wear and tear on the driver, truck and plow. Massive adjustable springs require no special tools allowing them to easily be adjusted in the field.

## Tall Aggressive Design

With an aggressive 70° attack angle and 32.5" moldboard, you can move more snow in less time.



*Diamond Edge shown with optional Ground Tracking Technology.™*

## Field Adjustable Springs

Meyer's exclusive spring design allows the trip springs to be adjusted in the field with common tools saving you time and money.



## Bottom-Trip Design

Only the lower portion gives way, while the rigid moldboard remains upright so the load is not lost when plowing.



## Standard Reversible Cutting Edge

Unlike the competition, all Diamond Edge plows come standard with a reversible cutting edge allowing for longer plow life.



REINVENTED EVERY DAY.

# DIAMOND EDGE™

# Meet the toughest guy in the neighborhood.



AMERICA'S  
**BEST**  
WARRANTY

**5**  
YEARS

# ROAD PRO-32™

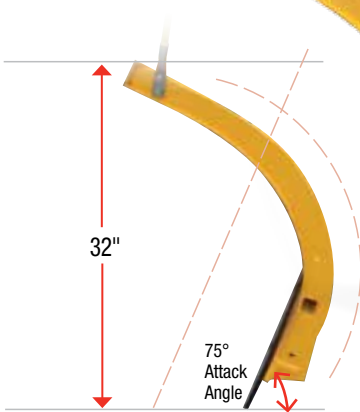
FITS 9,300 – 26,000 LB. GVW VEHICLES

The Meyer® Road Pro™ 32-Series features flared wings for better snow throwing action. It was designed specifically for municipalities and larger contractors who need to move a lot of snow quickly.

[www.meyerproducts.com](http://www.meyerproducts.com)

# Perfect for clearing streets, parking lots or cul-de-sacs in just one pass.

When municipalities want to clear side streets, parking lots or cul-de-sacs, they look to the Road Pro 32-Series. The moldboard features a scoop and funnel design for better snow rolling action. Road Pro 32-Series feature 2" x 10" heavy-duty angling rams and six trip springs to absorb the punishment found in municipal applications.



Ground Tracking Technology™ is standard on Road Pro-32.

## Reinforced Work Zone

Road-Pro 32-Series moldboards are reinforced with additional bracing and tubular steel on the bottom third of blade for added strength and durability.



## EZ-Mount Plus System

Attaches/detaches in seconds by pulling two handles. EZ-Mount systems are fleet-friendly because moldboards and controllers are interchangeable.



## Available Hydraulics:



### E-72 Hydraulic System

Allows you to add a plow to vehicles that do not have central hydraulics.



### Central Hydraulics

Allows the plow to be plumbed directly to the vehicle's hydraulic system making it easy to install and maintain.

REINVENTED EVERY DAY.

# ROAD PRO-32™

# Knock snow into the next zip code.

AMERICA'S  
**BEST**  
WARRANTY

**5**  
YEARS



*Road Pro-36 shown with optional equipment.*

## ROAD PRO-36™

FITS 26,000 – 33,000 LB. GVW VEHICLES

The Meyer® Road Pro™ 36-Series are the biggest and toughest snow plows in the Meyer line. Available in 9-foot, 10-foot or 11-foot lengths, these full-trip or bottom-trip moldboards allow contractors to throw snow higher and farther for ultimate road clearing efficiency.



### Oscillating Moldboard

Our unique pivot design allows the Road Pro 36-Series moldboard to automatically oscillate five degrees on each side to follow the contour of the road so more snow can be cleared in less time.

[www.meyerproducts.com](http://www.meyerproducts.com)

# Built to take on city streets and byways.

Road Pro 36-Series plows are constructed with 7-gauge steel or 3/8" thick polyethylene. A 36" moldboard height with 15" radial overhang and 65-degree attack angle leaves only the cleanest surfaces behind. Eight vertical ribs along with six heavy-duty adjustable springs help absorb road punishment while reducing wear and tear on the vehicle and driver.



*2-1/2" x 11-1/2" heavy-duty rams for responsive and reliable performance.*

## Full- or Bottom-Trip Action

We understand that road conditions vary by municipality. That's why you can choose either full-trip or bottom-trip configurations.



## Available Hydraulics:



### Out-Front Hydraulic System

The plow system comes with a hydraulic pump system.



### Central Hydraulics

Allows the plow to be plumbed directly to the vehicle's hydraulic system.

## The Choice Is Yours

Road Pro-36 Series moldboards are available in a variety of lengths in poly or steel.



REINVENTED EVERY DAY.

# ROAD PRO-36™

# Innovative design, excellent results.



AMERICA'S  
BEST  
WARRANTY

**5**  
YEARS

*Stainless Steel Super-V<sup>2</sup> is new for 2015.*

## SUPER-V™ / SUPER-V<sup>2</sup>™

FITS ¾-TON VEHICLES AND UP

The Meyer Super-V, and its second-generation counterpart, the Super-V<sup>2</sup>, offer aggressive styling and incredible plowing performance. Available in carbon steel or stainless steel, this contractor-grade plow has independently controlled wings that give you the flexibility to go to a V, scoop or straight-blade configuration with just the press of one button.



*Super-V shown with optional equipment.*

[www.meyerproducts.com](http://www.meyerproducts.com)

# Time-saving versatility and plowing performance.

Super-Vs offer remarkable plowing performance. Super-V<sup>2</sup> plows feature a unique tapered wing design that clears snow up to 62% faster than a conventional V-plow. The highway inspired design features excellent snow rolling action, slot and tab construction, heavy-duty trip springs and rams, and a standard center deflector for a complete snow plow package.



*Aggressive styling backed by nearly 1,000 pounds of high-tensile steel.*

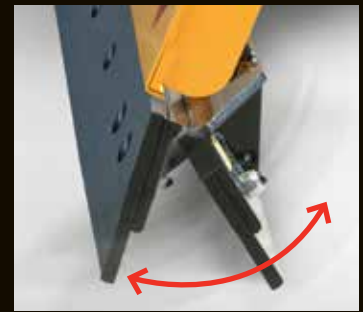
## You're In Control

Meyer offers two options for Meyer V plows: EZ-1 deluxe pistol grip or joystick. Both controllers feature diagnostics and a Hands-Free Plowing (HFP) mode. When activated, HFP uses the shift lever to control the up/down movement of the blade. The EZ-1 deluxe pistol grip controller also features double-click technology. Double-click a button, and the moldboard automatically moves in that direction without having to keep your finger on the button. A wireless controller kit is available for all new Meyer wired controllers.

## Upper and Lower Deflectors



An exclusive upper-sealed center deflector and optional wing deflectors keep snow and ice off your windshield. The standard lower-sealed center deflector never leaves snow trails behind, so there is no mess to clean up after using your V plow.



## Locked and Ready for Action



Put the plow in any configuration, and lock it into position with the standard locking double-acting cylinders. You can plow or back drag with ease; just set the angle you want, and you're ready to plow.

## Bottom-Trip Design

Unlike competitive models, all Super-Vs have bottom-trip moldboards. No matter how the moldboards are configured, only the lower portion of the blade gives way so the entire load is not lost. Not only does the bottom-trip make plowing more efficient, it also absorbs and dissipates the shock caused by obstructions saving wear and tear on the driver, truck and snowplow.

REINVENTED EVERY DAY.

# SUPER-V™ / V<sup>2</sup>™

# Commercial plows for 1/2-ton pickups.



AMERICA'S  
**BEST**  
WARRANTY

**5**  
YEARS

## LOT PRO<sup>LD</sup>™

Designed for residential contractors, Lot Pro<sup>LD</sup>™ is a rugged and easy-to-use 7'6" steel or poly snow plow ideal for tight residential areas or long driveways. Made for 1/2-ton pickup trucks with snow plow prep packages, contractors will appreciate increased maneuverability in snowy conditions and not having to compromise on quality construction.



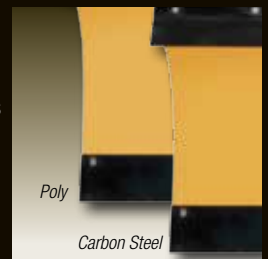
### Highway Inspired Black Iron



Behind the moldboard is totally redesigned black iron consisting of a robust, tubular steel A-frame and pivot bar. Highway plow-inspired, this simplified design creates a stronger plow at key pressure zones and more evenly distributes the load. The pressure zones are further enhanced by three reinforced points-of-contact and a tubular bar along the entire back of the moldboard for increased torsional strength.

### The Choice Is Yours

Lot Pro<sup>LD</sup> moldboards are available in poly or steel.



Poly

Carbon Steel

[www.meyerproducts.com](http://www.meyerproducts.com)



# HAVE IT YOUR WAY...

## Straight Blade or V-Blade.

As ½-ton pickups\* develop and become more popular with contractors that clear driveways, smaller lots and condo complexes, Meyer is pleased to introduce two plow offerings: the Meyer Lot Pro<sup>LD</sup>, a rugged, hard-working straight blade, and Super-V<sup>LD</sup>, a versatile V-blade plow. Both plows are designed to meet today's ½-ton vehicle requirements. Contractors will not only appreciate the rugged plow construction but the gas savings a smaller pickup offers.

\*Requires the addition of a plow prep package on vehicle

## SUPER-V<sup>LD</sup>™

Why let the big guys have all the fun? We know your 1/2-ton pickup is capable of the toughest jobs which is why we created the Meyer Super-V<sup>LD</sup>. With a plow spanning 7'6" in length, the Super-V<sup>LD</sup> has bottom-trip moldboards for more efficient and shock-absorbent plowing. One-half ton trucks don't seem light at all with a Meyer Super-V<sup>LD</sup> plow attached.



### Bottom-Trip Edge

The Meyer Super-V<sup>LD</sup> features bottom-trip wings that trip independently in any configuration, something the competition can't match.



### Double-Acting Cylinders

Why pay for a lock-out system when you don't have to? Back drag snow more efficiently than ever with our standard locking double-acting cylinders on our V plows. Going forward or backward, just set the angle you want and the blade position is locked.



REINVENTED EVERY DAY.

## LOT PRO<sup>LD</sup> / SUPER-V<sup>LD</sup>

# The small plow with the BIG attitude.



AMERICA'S  
BEST  
WARRANTY

5  
YEARS

*Drive Pro shown with optional equipment.*

## DRIVE PRO™

LIGHT-DUTY PICKUPS AND FULL SIZE SUVs

Drive Pros are the perfect size for contractors that concentrate on plowing driveways, small condo complexes or any tight residential areas.



[www.meyerproducts.com](http://www.meyerproducts.com)

# A light-weight commercial plow for residential contractors.

Drive Pro is perfect for jobs that larger vehicles can't get to. Each is built to the same standards, using the same materials as our larger commercial plows. Heavy-duty trip springs, slot and tab construction, robotically welded seams and cross-sections increase reliability and performance.



*Single pin release. No more walking around the plow to unhook the other side.*



## Easy On/Off

Drive Pros can easily be removed by pulling one handle. Mounting is just as easy when the next storm is near.

## Go From Work Truck To Play Truck In Seconds

Drive Pro plows attach and detach in less than a minute, leaving a clean, neat appearance on the front of your vehicle.

## Better Lights for Better Sight

It's hard to plow what you can't see, so all Meyer snowplows come with dual halogen Nite Saber® II lights which are fully adjustable and iso-mounted to resist vibration. Nite Saber II lights feature easy-to-replace dual halogen bulbs and wrap-around turn signals.



REINVENTED EVERY DAY.

# DRIVE PRO™

# Plow Specifications

Drive Pro™										
Model #	Blade Type	Moldboard Length	Moldboard Height	Moldboard Gauge	Vertical Ribs	Plow Trip Springs	Cutting Edge	Average Width at Full Angle	Angling Rams	Complete Weight
DP 5'	Full-Trip	5'	22.5"	14 Steel	6	2	1/4" x 6"	54"	1 1/2" x 10"	315 lb.
DP 6'	Full-Trip	6'	22.5"	14 Steel	6	2	1/4" x 6"	65"	1 1/2" x 10"	350 lb.
DP 6'8"	Full-Trip	6'8"	22.5"	14 Steel	6	2	3/8" x 6"	72"	1 1/2" x 10"	375 lb.
DP 7'6"	Full-Trip	7'6"	26"	14 Steel	6	2	3/8" x 6"	81"	1 1/2" x 10"	400 lb.

Lot Pro™										
Model #	Blade Type	Moldboard Length	Moldboard Height	Moldboard Gauge	Vertical Ribs	Plow Trip Springs	Cutting Edge	Average Width at Full Angle	Angling Rams	Complete Weight
LP-LD 7.5	Full-Trip	7'6"	28"	14 Steel	6	2	3/8" x 6"	81"	1 1/2" x 10"	575 lb.
LPPLD 7.5*	Full-Trip	7'6"	28"	3/8" Poly	6	2	3/8" x 6"	81"	1 1/2" x 10"	620 lb.
LP-7.5	Full-Trip	7'6"	32"	12 Steel	6	4	1/2" x 6"	81"	1 1/2" x 10"	773 lb.
LPP-7.5*	Full-Trip	7'6"	32"	3/8" Poly	6	4	1/2" x 6"	81"	1 1/2" x 10"	893 lb.
LP-8.0	Full-Trip	8'	32"	12 Steel	6	4	1/2" x 6"	86"	1 1/2" x 10"	820 lb.
LPP-8.0	Full-Trip	8'	32"	3/8" Poly	6	4	1/2" x 6"	86"	1 1/2" x 10"	912 lb.
LP-8.5	Full-Trip	8'6"	32"	12 Steel	6	4	1/2" x 6"	92"	1 1/2" x 10"	835 lb.
LPP-8.5*	Full-Trip	8'6"	32"	3/8" Poly	6	4	1/2" x 6"	92"	1 1/2" x 10"	932 lb.
LP-9.0	Full-Trip	9'	32"	12 Steel	6	4	1/2" x 6"	97"	1 1/2" x 10"	843 lb.
LPP-9.0	Full-Trip	9'	32"	3/8" Poly	6	4	1/2" x 6"	97"	1 1/2" x 10"	943 lb.

\* Limited quantities available.

Road Pro-32™ Series										
Model #	Blade Type	Moldboard Length	Moldboard Height	Moldboard Gauge	Vertical Ribs	Plow Trip Springs	Cutting Edge	Average Width at Full Angle	Angling Rams	Complete Weight
RP-32 8	Full-Trip	8'	32"	10 Steel	8	6	1/2" x 6"	86"	2" x 10"	908 lb.
RP-32 9	Full-Trip	9'	32"	10 Steel	8	6	1/2" x 6"	103"	2" x 10"	925 lb.
RP-32 10	Full-Trip	10'	32"	10 Steel	8	6	1/2" x 6"	97"	2" x 10"	943 lb.

## Road Pro-36™ Series

Model #	Blade Type	Moldboard Length	Moldboard Height	Moldboard Gauge	Vertical Ribs	Plow Trip Springs	Cutting Edge	Average Width at Full Angle	Angling Rams	Complete Weight
RP-36 9	Full-Trip	9'	36"	7 Steel	8	6	1/2" x 6"	93"	2 1/2" x 11 1/2"	1629 lb.
RP-36 10	Full-Trip	10'	36"	7 Steel	8	6	1/2" x 6"	104"	2 1/2" x 11 1/2"	1683 lb.
RPP-36 10	Full-Trip	10'	36"	3/8" Poly	8	6	1/2" x 6"	104"	2 1/2" x 11 1/2"	1590 lb.
RPDE-36 10	Bottom-Trip	10'	36"	7 Steel	8	8	3/4" x 6"	104"	2 1/2" x 11 1/2"	1923 lb.
RP-36 11	Full-Trip	11'	36"	7 Steel	8	6	3/4" x 6"	114"	2 1/2" x 11 1/2"	1741 lb.

## Diamond Edge™

Model #	Blade Type	Moldboard Length	Moldboard Height	Moldboard Gauge	Vertical Ribs	Plow Trip Springs	Cutting Edge	Average Width at Full Angle	Angling Rams	Complete Weight
DE-7.5	Bottom-Trip	7'6"	32.5"	12 Steel	6	4	1/2" x 6"	82"	1 1/2" x 10"	828 lb.
DE-8	Bottom-Trip	8'	32.5"	12 Steel	6	4	1/2" x 6"	87"	1 1/2" x 10"	855 lb.
DE-8.5	Bottom-Trip	8'6"	32.5"	12 Steel	6	4	1/2" x 6"	92"	1 1/2" x 10"	885 lb.
DE-9	Bottom-Trip	9'	32.5"	12 Steel	6	4	1/2" x 6"	98"	1 1/2" x 10"	905 lb.

## Super-V™ and Super-V2™

Model #	Blade Type	Moldboard Length	Moldboard Height*	Moldboard Gauge	Vertical Ribs	Plow Trip Springs	Cutting Edge	Average Width at Full Angle	Angling Rams	Complete Weight
SV-LD 7.5	Bottom-Trip	7'6"	28"	14 Steel	4 per wing	2 per wing	3/8" x 6"	81"	1 1/4" x 12"	582 lb.
SV-8.5	Bottom-Trip	8'6"	30.5"	12 Steel	4 per wing	2 per wing	1/2" x 6"	88"	1 1/2" x 12"	900 lb.
SV-9.5	Bottom-Trip	9'6"	30.5"	12 Steel	4 per wing	2 per wing	1/2" x 6"	99"	1 1/2" x 12"	940 lb.
SV2-8.5	Bottom-Trip	8'6"	29.5" – 38.25"	12 Steel	4 per wing	2 per wing	1/2" x 6"	88"	1 1/2" x 12"	954 lb.
SV2-9.5	Bottom-Trip	9'6"	29.5" – 39.5"	12 Steel	4 per wing	2 per wing	1/2" x 6"	99"	1 1/2" x 12"	994 lb.
SV2-10.5	Bottom-Trip	10'6"	29.5" – 40.5"	12 Steel	4 per wing	2 per wing	1/2" x 6"	109"	1 1/2" x 12"	1034 lb.
SSV2-8.5	Bottom-Trip	8'6"	29.5" – 38.25"	12 Stainless Steel	4 per wing	2 per wing	1/2" x 6"	88"	1 1/2" x 12"	1086 lb.
SSV2-9.5	Bottom-Trip	9'6"	29.5" – 39.5"	12 Stainless Steel	4 per wing	2 per wing	1/2" x 6"	99"	1 1/2" x 12"	1134 lb.
SSV2-10.5	Bottom-Trip	10'6"	29.5" – 40.5"	12 Stainless Steel	4 per wing	2 per wing	1/2" x 6"	109"	1 1/2" x 12"	1162 lb.

For a full line of plow systems for skid steers, tractors and other off-road vehicles, visit [www.meyerproducts.com](http://www.meyerproducts.com).

# Increase productivity with contractor-grade accessories

Meyer offers a complete line of contractor-grade parts and accessories to make plowing lots, offices, roads or any large area easier and faster. Each is designed and manufactured to stringent specifications so they fit your Meyer plow perfectly and keep it operating at peak performance. *All genuine parts:*

- Comply with Meyer specifications and technical standards
- Maintain the warranty on your original equipment
- Fit perfectly, while reducing installation time
- Guarantee original equipment quality

## Plow Enhancements

### Cutting Edges

In addition to traditional steel cutting edges, Meyer offers rubber or polyethylene for full-trip straight blade plows. Bottom-trip plows come standard with a steel reversible cutting edge to extend usable life of the blade.



Meyer® Diamond Edge Reversible Cutting Edge



Rubber Cutting Edge



Polyurethane Cutting Edge

### Wings

Add boxed, fixed position, or multi-position wings to any Lot Pro to dramatically increase the plowing efficiency. They attach easily with pre-drilled holes and quick connect bolts.



Boxed wings: #08370



EZ-Wing Fixed: #08375



Multi-Position: #08380



Super-V Wing Kit: #08411  
Super-V<sup>2</sup> Wing Kit: #08412

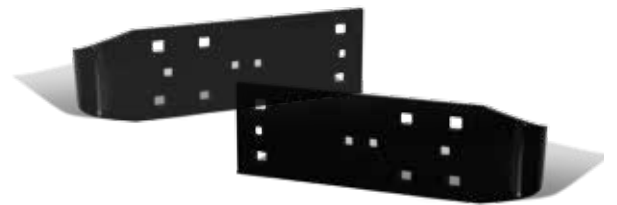
### Deflectors

Meyer heavy-duty, rubber or poly deflectors direct snow flume down and away from your windshield. Available in specific sizes to fit all Meyer moldboards. Kit comes ready to install.



### Commercial Curb Guards

Made from specially hardened steel and powder painted for longer life and durable performance. Designed exclusively to mate with Meyer moldboards for a perfect fit. #08344



### Super-V/V<sup>2</sup> Urethane Center Kit



A direct replacement for standard rubber center kits, the Super-V/V<sup>2</sup> urethane center kit provides clean clearing performance without adjustment and will not mar the surface. One kit fits all Super-V/V<sup>2</sup> plows. #08409



### Trip Dampening Kit

Available for Lot Pro plows, these kits are designed to help cushion the impact of the moldboard's tripping action, both the forward and return actions. It does not eliminate or diminish the tripping action that is an integral feature of a full-trip moldboard. The trip-dampening system is easy-to-install and comes with hardware and installation instructions. #08243

For a complete list of accessories visit:

[www.meyerproducts.com](http://www.meyerproducts.com)

# Controller Accessories

## Touchpad Leg Strap

A perfect complement to any controller, the leg strap keeps the controller close at hand.

#22265C



## Articulating Floor Mounts

Want the convenience of having your controller right at your fingertips? Then add a Meyer articulating floor mount to your vehicle. Available in 10" or 20" lengths, the arm will move virtually anywhere the operator desires.

10" #22801 / 20" #22844



## Controller Cradles and Adapter

Available for pistol grip and joystick controllers, these mounts give you the flexibility to mount your controller virtually anywhere in your vehicle and have it handy and ready to use. Add the 45-degree adapter for even more mounting flexibility.

**Pistol Grip Cradle**  
#22798



**45° Adapter**  
#22815



**Joystick Cradle**  
#22799



# Safety and Stability

## Whelen Lights/Alarms

Get noticed with warning lights, strobes and back-up alarms. These products are available in select styles and can easily be added to any new or existing vehicle to increase safety when plowing congested areas.



## Timbren Suspension Systems

Help reduce sway, improve roll stability, cushion road shock and enhance the handling of any 4 X 4.



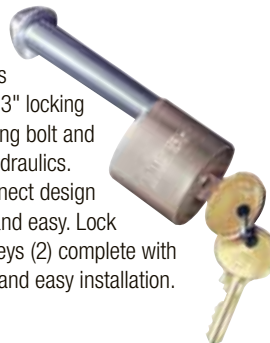
## Plow Carts

Our heavy-duty plow carts make moving and/or maneuvering a fully assembled plow an easy task. Perfect for mounting or dismounting the plow and makes off-season storage quick and easy.



## Hydraulic Lock

Prevent your valuable hydraulic unit from theft with our stainless steel hydraulic lock. A 3" locking pin replaces the existing bolt and works on all Meyer hydraulics. Quick disconnect/connect design makes changes fast and easy. Lock comes with a set of keys (2) complete with instructions for quick and easy installation.



# Maintenance

## Meyer® M1 Hydraulic Fluid and M2 Hydra Flush

Keep your Meyer electric hydraulic control system operating at peak performance. Flush in the summer with M2 and replace with M1 for the winter.

**M1 Qt.** #15134  
**M2 Qt.** #15901

**12 bottle/case** #15487  
**12 bottle/case** #15902



## Meyer® Dielectric Grease

Meyer's dielectric grease is specially formulated to coat and protect electrical connections from deteriorating elements such as salt and road grime. It is recommended to coat all electrical connections prior to winter and each time you re-connect to ensure optimal performance. #15632



## The Big Yellow Box

The Big Yellow Box by Meyer is perfect for storing rock salt, sand, chemicals, tools or anything you need to keep dry and secure. Measures 32"W x 23"D x 30"H. #32403



## Genuine Parts Kit

The Genuine Parts Kit includes the most commonly requested Meyer parts. Everything comes pre-packaged in a sturdy tool kit. #08823-Plus / #08824-Classic



## Industrial Sno-Flo® Paint

Specially formulated to improve snow-rolling action. Aerosol spray available in Gloss Yellow, Gloss Black and White Primer. Gloss Yellow also available in 1-quart can.

**Yellow** (spray) single can #07027  
**12 can/case** #08677  
**Black** (spray) single can #07164  
**12 can/case** #08676



REINVENTED EVERY DAY.

# ACCESSORIES



REINVENTED EVERY DAY.

DISTRIBUTED BY:

**Meyer Products LLC**  
18513 Euclid Ave., Cleveland, Ohio 44112  
Phone: 216-486-1313  
Fax: 216-486-1321  
[www.meyerproducts.com](http://www.meyerproducts.com)

Meyer Snow Plows are protected by one or more of the following patents: 8006413, D0507999 S, D05179635, 8453358, 8695238, 7,918,042 B2, CA 2,677,509 C, D0517963 S, EP 1,989,402 B1, ES 2,346,587, 6138388, 7,591,087 B2, 7,661,211 B2, 7,793,440 B1, 8739437, 8793906, CA 2,604,085 C, 6354024, 6276075, 6,318,975 B1, 6564479, 6256909, 6594923, 6618964, 7114270, 7117617, 7290359, D399326 S, CA 2,300,012 C, CA 2,314,772 C, CA 2,331,653 C, CA 2,370,925 C, CA 2,455,637 C, CA 2,653,801 C, CA 2,654,856, EP 1,010,809, 7353628, 6153975, 6273729, CA 2,260,509 C, CA 2,282,045 C, CA 2,293,858 C, CA 2,298,243 C, 6265829, 6015219, 6005300, 6163985.