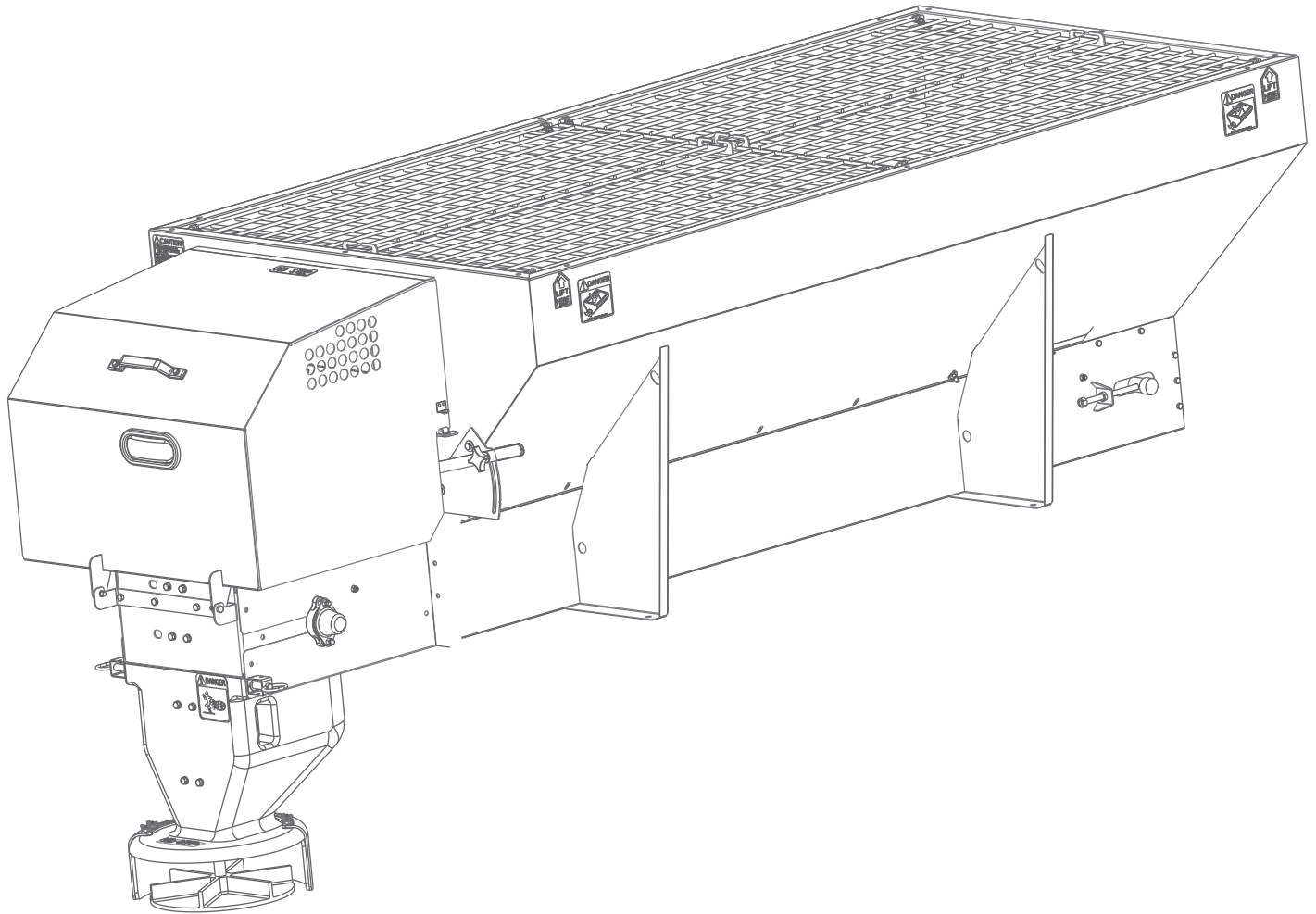


ILLUSTRATED PARTS LISTING
Meyer *BASELINE 800 SPREADER*



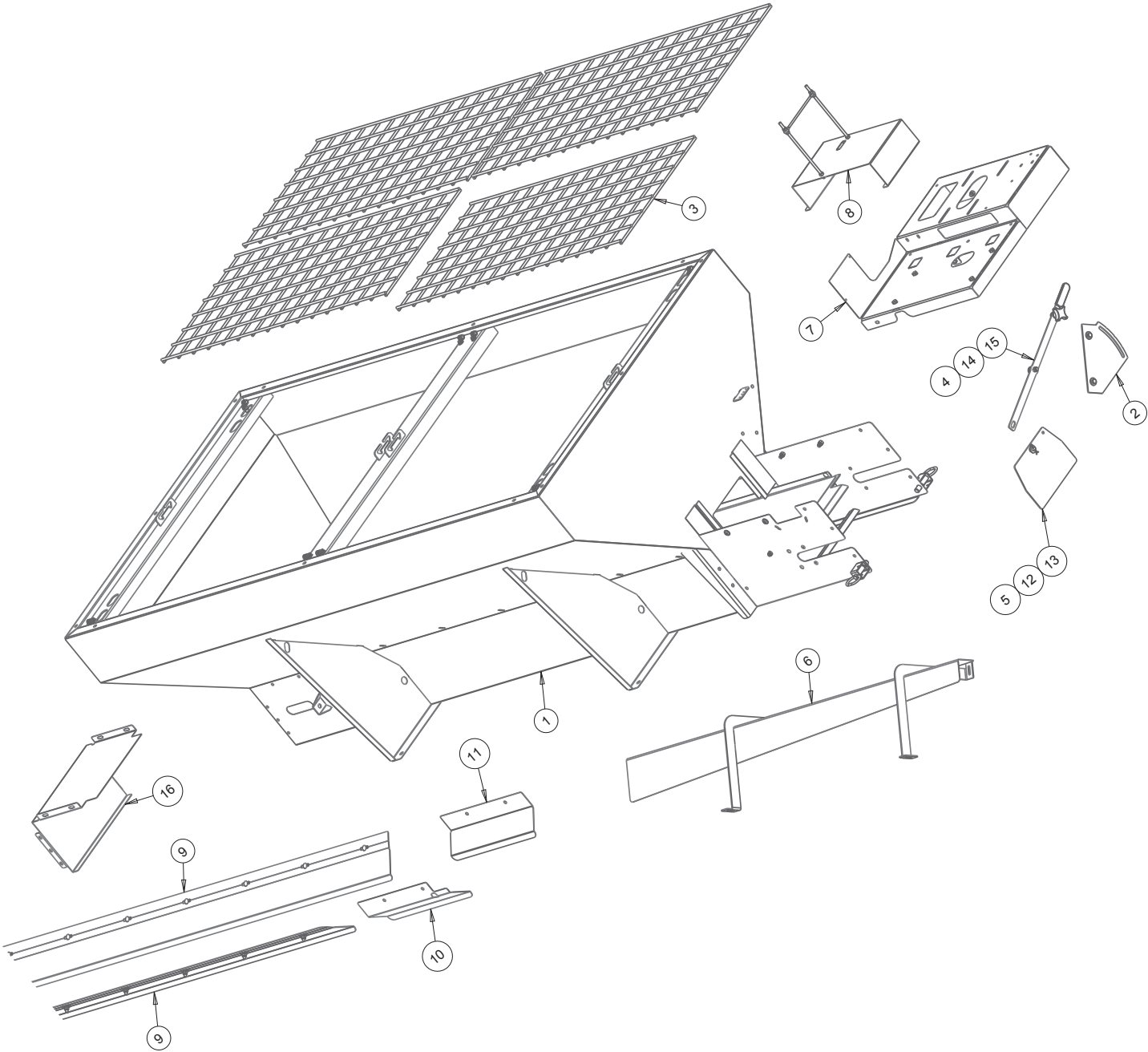
Meyer Products LLC reserves the right, under its continuing product improvement program, to change construction or design detail, specifications and prices without notice or without incurring any obligation.

Meyer Products LLC
18513 Euclid Ave • Cleveland, Ohio 44112
Phone 216-486-1313 • Fax 216-486-9775
www.meyerproducts.com • Email: sales@meyerproducts.com

 **meyer**
a brand of aebe schmidt

ILLUSTRATED PARTS LISTING
Meyer *BASELINE 800 SPREADER*

HOPPER ASSEMBLY

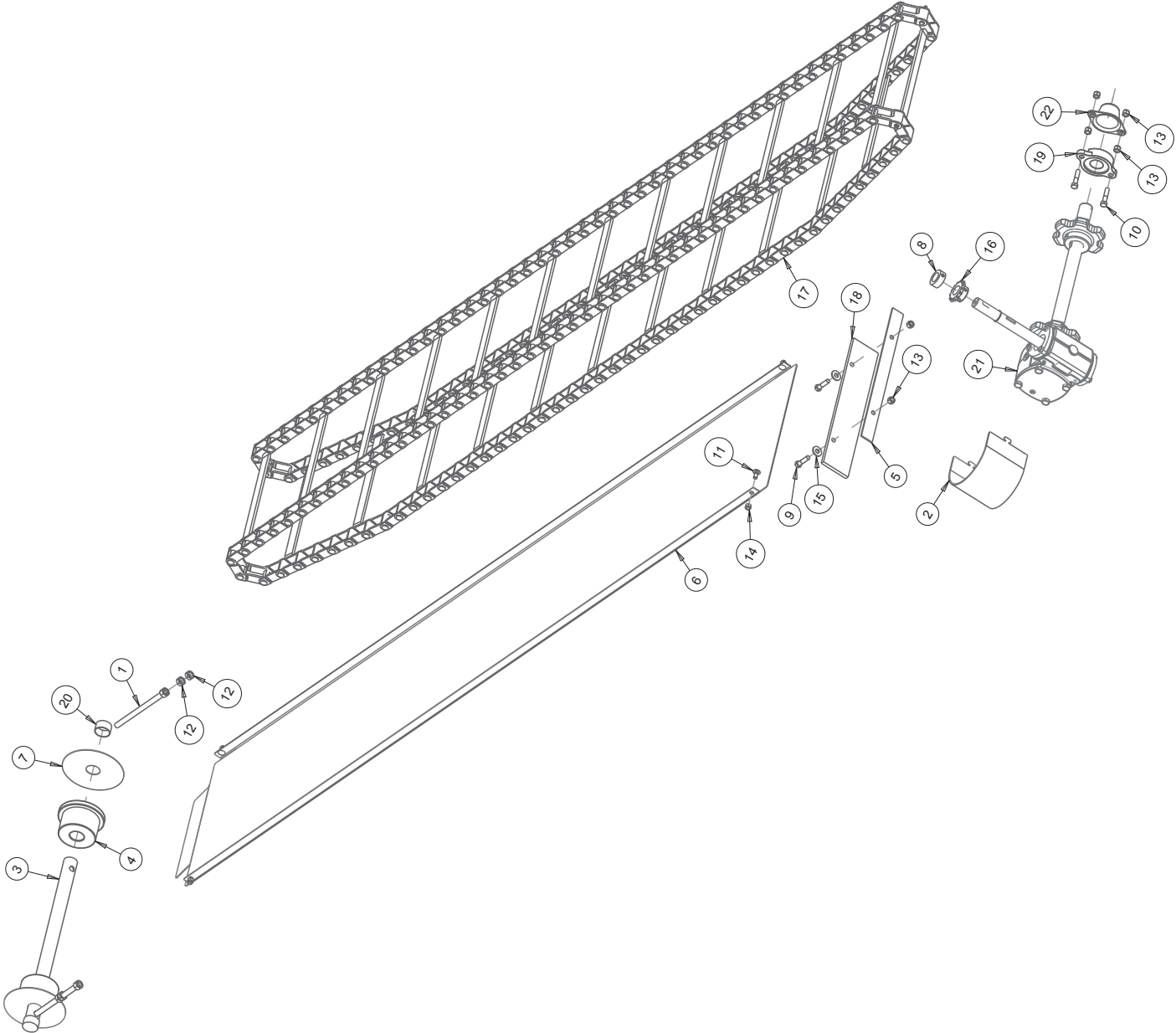


ILLUSTRATED PARTS LISTING
Meyer *BASELINE 800 SPREADER*

Item	Part Number	Description	Qty
1	67580	WELD, HOP PV GAS 8' S2	1
	67581	WELD, HOP 8' PV GAS 14G CS	
	67582	WELD, HOP PV DME S2	
2	67583	FORM, FDGT ADJ SLIDE 10G CS	1
	67584	FORM, FDGT ADJ SLIDE 10G S2	
3	67104	SCREEN, PNTD 21.313" X 45.313"	4
4	67117	HANDLE, FDGT 10G CS	1
	67115	HANDLE, FDGT 10G S2	
5	67118	WELD, FDGT 10G CS	1
	67116	WELD, FDGT 10G S2	
6	67122	WELD, INV V 8' 14G CS	1
	67120	WELD, INV V 8' 16G S2	
7	67585	WELD, ENGINE PLT 14G CS	1
	67586	WELD, ENGINE PLT 16G S2	
8	67587	Y, BATTERY BRKT 14G CS	1
	67588	Y, BATTERY BRKT 16G S2	
9	67589	FORM, CHAINSHIELD 8' 14G CS	1
	67590	FORM, CHAINSHIELD 8' 16G S2	
10	67591	FORM, CHNSHLD ADDER LH 14G CS	1
	67592	FORM, CHAINSHIELD ADDER LH S2	
11	67593	FORM, CHNSHLD ADDER RH 14G CS	1
	67594	FORM, CHAINSHIELD ADDER RH S2	
12	63409	FLATWASHER, 3/8" U.S.S. SS	4
13	62691	PIN, 1/8" X 1" COTTER SS	1
14	64164	COVER, FEEDGATE HANDLE	1
15	61169	KNOB, HAND	1
16	67138	FORM, FRONT GUARD 14G CS	1
	67137	FORM, FRONT GUARD 16G S2	
ZP= Zinc Plated CS = Mild Carbon Steel SS= Stainless Steel A/R= As Required			

ILLUSTRATED PARTS LISTING
Meyer *BASELINE 800 SPREADER*

CONVEYOR ASSEMBLY

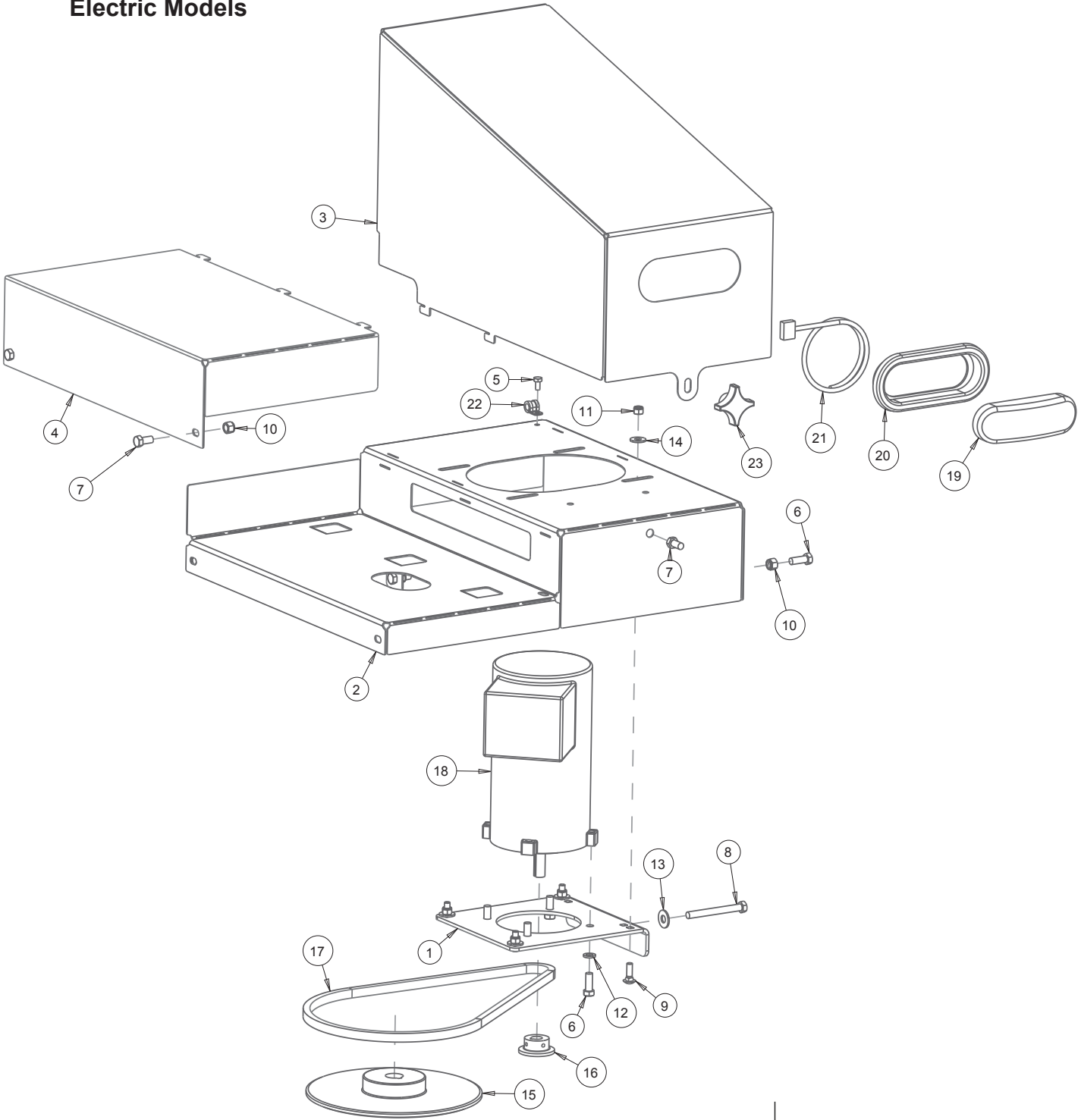


ILLUSTRATED PARTS LISTING
Meyer *BASELINE 800 SPREADER*

Item	Part Number	Description	Qty
1	62304	WELD, TAKE-UP BOLT	2
2	67209	GUARD, CHAIN	1
3	64062	SHAFT, IDLER	1
4	64063	ROLLER, POLY	2
5	67170	PLATE, WIPER STIFFENER 10G CS	1
	67169	PLATE, WIPER STIFFENER 10G S2	
6	67160	FORM, FLR CONV 8' 14G CS	1
	67161	FORM, FLR CONV 8' 16G S2	
7	67175	PLATE, IDLER WASHER 14G CS	2
	67174	PLATE, IDLER WASHER 16G S2	
8	62769	COLLAR, SET 1"	1
9	64035	BOLT, 3/8-16 X 1-1/2 HH SS	2
10	64070	BOLT, 3/8-16 X 1-3/4 HH SS	2
11	62640	BOLT, 5/16-18 X 3/4 CA SS	4
12	62336	NUT, 1/2-13 HJ SS	4
13	62638	LOCKNUT, 3/8-16 NL SS	2
14	63301	LOCKNUT, 5/16-18 NL SS	4
15	63409	FLATWASHER, 3/8" U.S.S. SS	4
16	63685	SPROCKET, H40B13X1" W/KW	1
17	67165	WELD, DRAG CHAIN 8' LPV-PV-MDV	1
18	62354	WIPER, CHAIN	1
19	61163	BEARING, 1 1/4"	1
20	64064	CAP, IDLER	2
21	67176	Y, GEARBOX 32:1	1
22	64385	COVER, BEARING SHAFT HDPE	1
ZP= Zinc Plated CS = Mild Carbon Steel SS= Stainless Steel A/R= As Required			

ILLUSTRATED PARTS LISTING
Meyer *BASELINE 800 SPREADER*

MOTOR PLATE
Electric Models

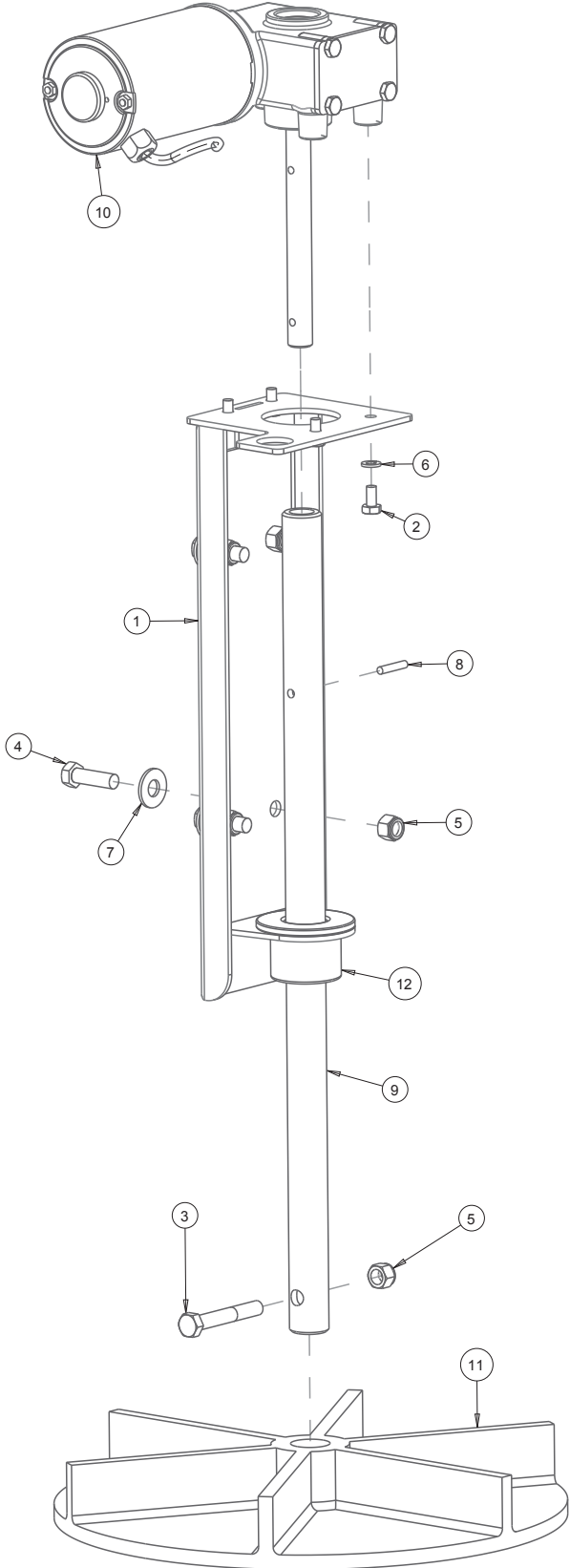


ILLUSTRATED PARTS LISTING
Meyer *BASELINE 800 SPREADER*

Item	Part Number	Description	Qty
1	64457	WELD, ADAPTER 10G S2	1
2	67577	WELD, MOTOR PLATE 16G S2	1
3	67578	WELD, MOTOR COVER S2	1
4	67579	WELD, SPROCKET COVER S2	1
5	64484	BOLT, 1/4-20 X 1/2 HH STD SS	1
6	62697	BOLT, 3/8-16 X 1 HH SS	10
7	63205	BOLT, 3/8-16 X 3/4 HH SS	2
8	63342	BOLT, 3/8-16 X 3-1/2 HH SS	1
9	63175	BOLT, 5/16-18 X 1 CA SS	4
10	62638	LOCKNUT, 3/8-16 NL SS	4
11	63301	LOCKNUT, 5/16-18 NL SS	4
12	63206	LOCKWASHER, 3/8" MED SPLIT SS	4
13	63409	FLATWASHER, 3/8" U.S.S. SS	1
14	63173	FLATWASHER, 5/16" U.S.S. SS	4
15	63333	SPROCKET, 40B60-1" BORE	1
16	64464	SPROCKET, 40B-11 5/8" BORE	1
17	64456	CHAIN, ROLLER #40-86 PITCH W/C	1
18	64015	MOTOR, 12V AUGER	1
19	62714	LAMP, STOP (CTR HGH MT)	1
20	62715	GROMMET, MTG	1
21	62364	CABLE, LIGHT POWER	1
22	63245	CLAMP, CUSHIONED - 3/8" 18-8	8
23	61169	KNOB, HAND	1
ZP= Zinc Plated CS = Mild Carbon Steel SS= Stainless Steel A/R= As Required			

ILLUSTRATED PARTS LISTING
Meyer *BASELINE 800 SPREADER*

SPINNER DRIVE
Electric Models

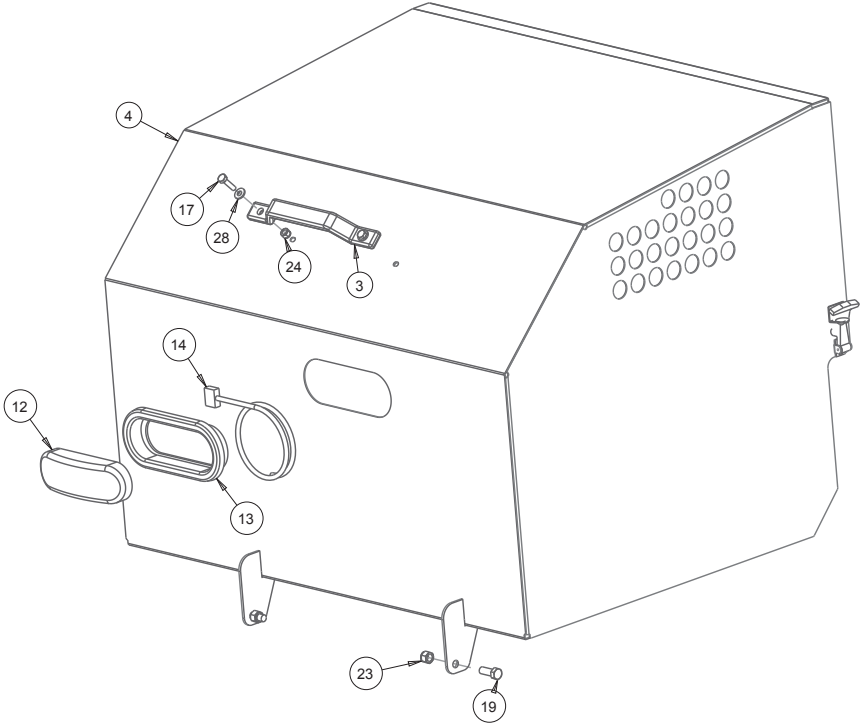
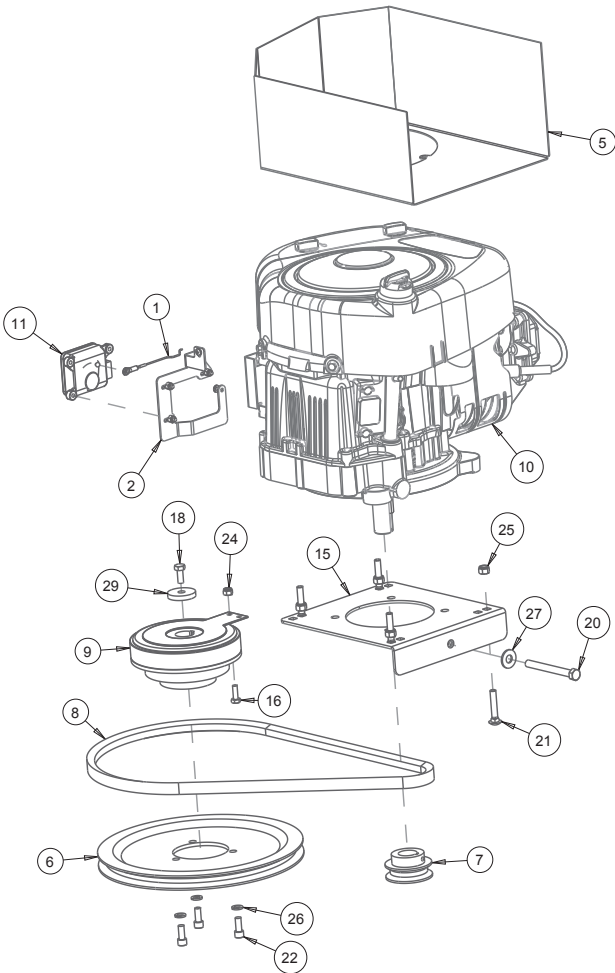


ILLUSTRATED PARTS LISTING
Meyer *BASELINE 800 SPREADER*

Item	Part Number	Description	Qty
1	67572	WELD, SHFT MTG CHNL 14" DME S2	1
	67573	WELD, SHFT MTG CHNL 20" DME S2	
	67574	WELD, SHFT MTG CHNL 24" DME S2	
	67575	WELD, SHFT MTG CHNL 30" DME S2	
2	64484	BOLT, 1/4-20 X 1/2 HH STD SS	4
3	63198	BOLT, 3/8-16 X 2-1/2 HH SS	1
4	62695	BOLT, 3/8-16 X 1-1/4 HH SS	4
5	63348	LOCKNUT, 3/8-16 NL SS	5
6	62810	LOCKWASHER, 1/4" MED SPLIT SS	4
7	63409	FLATWASHER, 3/8" U.S.S. SS	4
8	64837	PIN, 3/16" X 1" ROLL	1
9	67576	SHAFT, SPNR DME 20" CS	1
10	66145	Y, MOTOR/GEARBOX	1

ILLUSTRATED PARTS LISTING
Meyer *BASELINE 800 SPREADER*

ENGINE ASSEMBLY



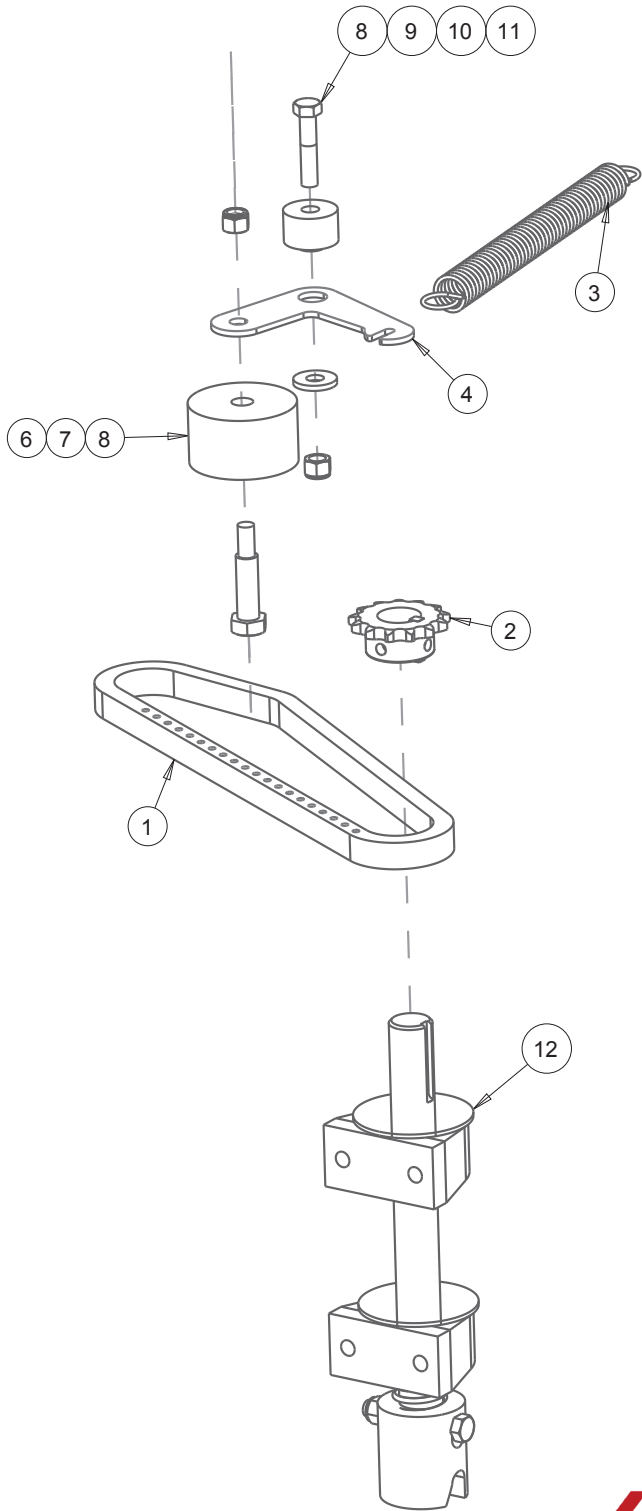
ILLUSTRATED PARTS LISTING
Meyer *BASELINE 800 SPREADER*

Item	Part Number	Description	Qty
1	62648	LINKAGE, THROTTLE	1
2	67194	BRACKET, ACTUATOR B&S	1
3	64077	HANDLE, PLASTIC GRAB	1
4	67556	WELD, SHROUD HON S2	1
	67567	WELD, SHROUD B&S CS	
	67568	WELD, SHROUD B&S S2	
5	67569	WELD, AIR TUNNEL TOP HON 16GS2	1
	67570	WELD, AIR TUNNEL TOP B&S 14GCS	
	67571	WELD, AIR TUNNEL TOP B&S 16GS2	
6	61161	PULLEY, DRIVEN	1
7	61177	PULLEY, DRIVER	1
8	62940	V-BELT, BX-46	1
9	61167	CLUTCH, ELECTRIC	1
10	62361	ENGINE, 11 HP HONDA	1
	64066	ENGINE, 10.5HP B&S	
11	63165	ACTUATOR, 12V	1
12	62714	LAMP, STOP (CTR HGH MT)	1
13	62715	GROMMET, MTG	1
14	62364	CABLE, LIGHT POWER	1
15	67149	WELD, ENGINE ADAPTER 10G CS	1
	67148	WELD, ENGINE ADAPTER 10G S2	
ZP= Zinc Plated CS = Mild Carbon Steel SS= Stainless Steel A/R= As Required			

Hardware

Item	Part Number	Description	Qty
16	62189	BOLT, 1/4-20 X 3/4 HH SS	A/R
17	63750	BOLT, 1/4-20 X 1 HH SS	A/R
18	62763	BOLT, 5/16-18 X 3/4 HH G5 ZP	A/R
19	62697	BOLT, 3/8-16 X 1 HH SS	A/R
20	63342	BOLT, 3/8-16 X 3-1/2 HH SS	A/R
21	64069	BOLT, 5/16-18 X 1-3/4 CA SS	A/R
22	62634	SCREW, 5/16-18 X 5/8 SH CAP	A/R
23	63348	LOCKNUT, 3/8-16 NL SS	A/R
24	64822	LOCKNUT, 1/4-20 NYLON SS SP	A/R
25	63301	LOCKNUT, 5/16-18 NL SS	A/R
26	20326	LOCKWASHER, 5/16" MED SPLIT ZP	A/R
27	63409	FLATWASHER, 3/8" U.S.S. SS	A/R
28	63587	FLATWASHER, 1/4" S.A.E. SS	A/R
29	63103	WASHER, FLAT CLUTCH RETAINER	A/R
ZP= Zinc Plated CS = Mild Carbon Steel SS= Stainless Steel A/R= As Required			

ILLUSTRATED PARTS LISTING
Meyer *BASELINE 800 SPREADER*



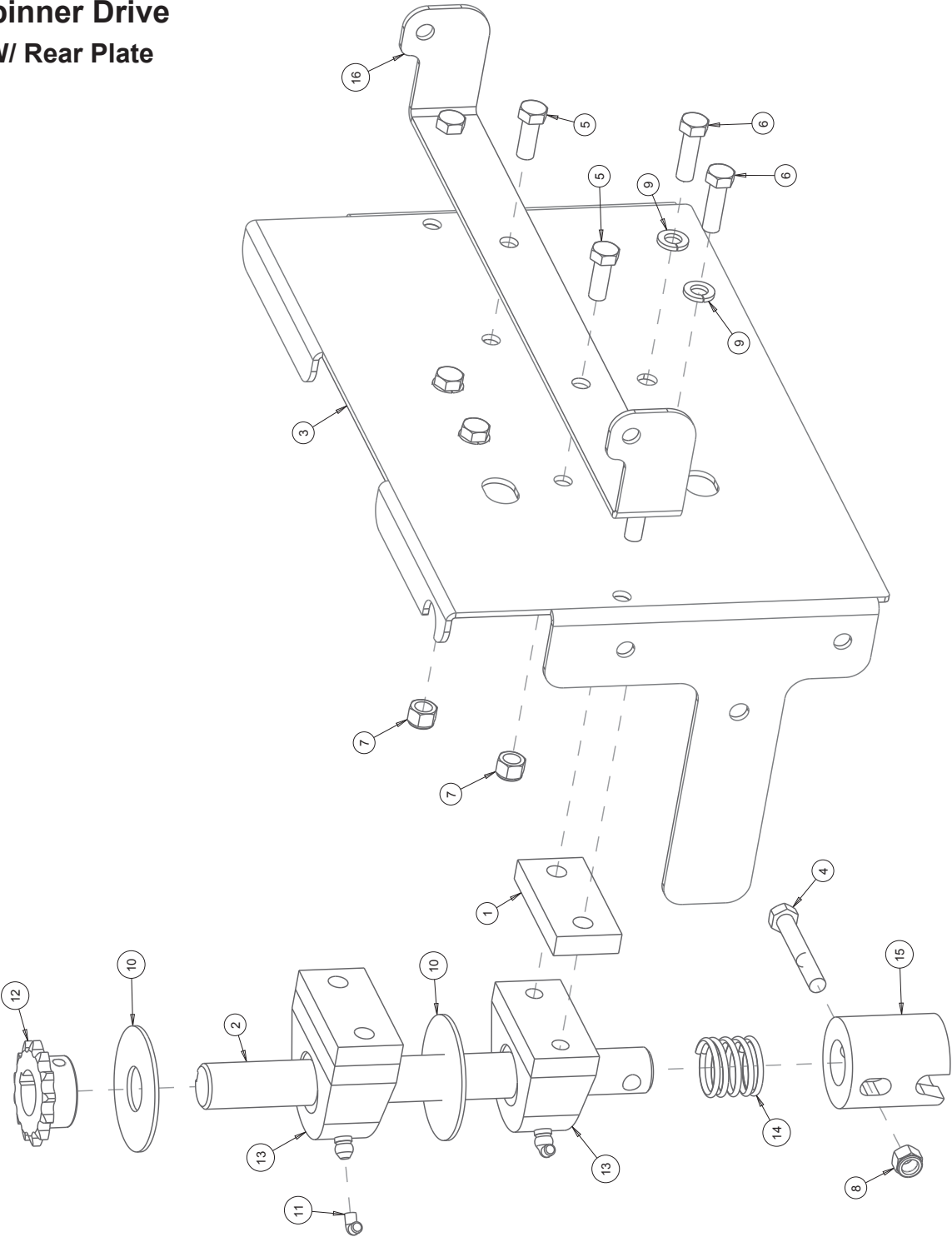
ILLUSTRATED PARTS LISTING

Meyer *BASELINE 800 SPREADER***ENGINE ASSEMBLY****Chain Tensioner**

Item	Part Number	Description	Qty
1	64524	ROLLER CHAIN, #40-57 PITCHES	1
2	63685	SPROCKET H40B 13X1"	1
3	64057	SPRING, EXTENSION 6"	1
4	67203	PLATE, WHEEL TENSIONER 10G S2	1
6	64038	BOLT, SHOULDER 1/2 X 1 1/2" HH	1
7	64039	ROLLER, TENSIONER UHMW	1
8	63348	LOCKNUT, 3/8-16 NYLON INSERT SS	2
9	64070	BOLT, 3/8-16 X 1 3/4" HH SS	1
10	64034	BUSHING, TENSIONER STANDOFF S3	1
11	63409	FLATWASHER, 3/8" SS	1
12	67205	SUB-Y, SPNR DRV SHFT	1
ZP= Zinc Plated CS = Mild Carbon Steel SS= Stainless Steel A/R= As Required			

ILLUSTRATED PARTS LISTING
Meyer *BASELINE 800 SPREADER*

**Spinner Drive
W/ Rear Plate**

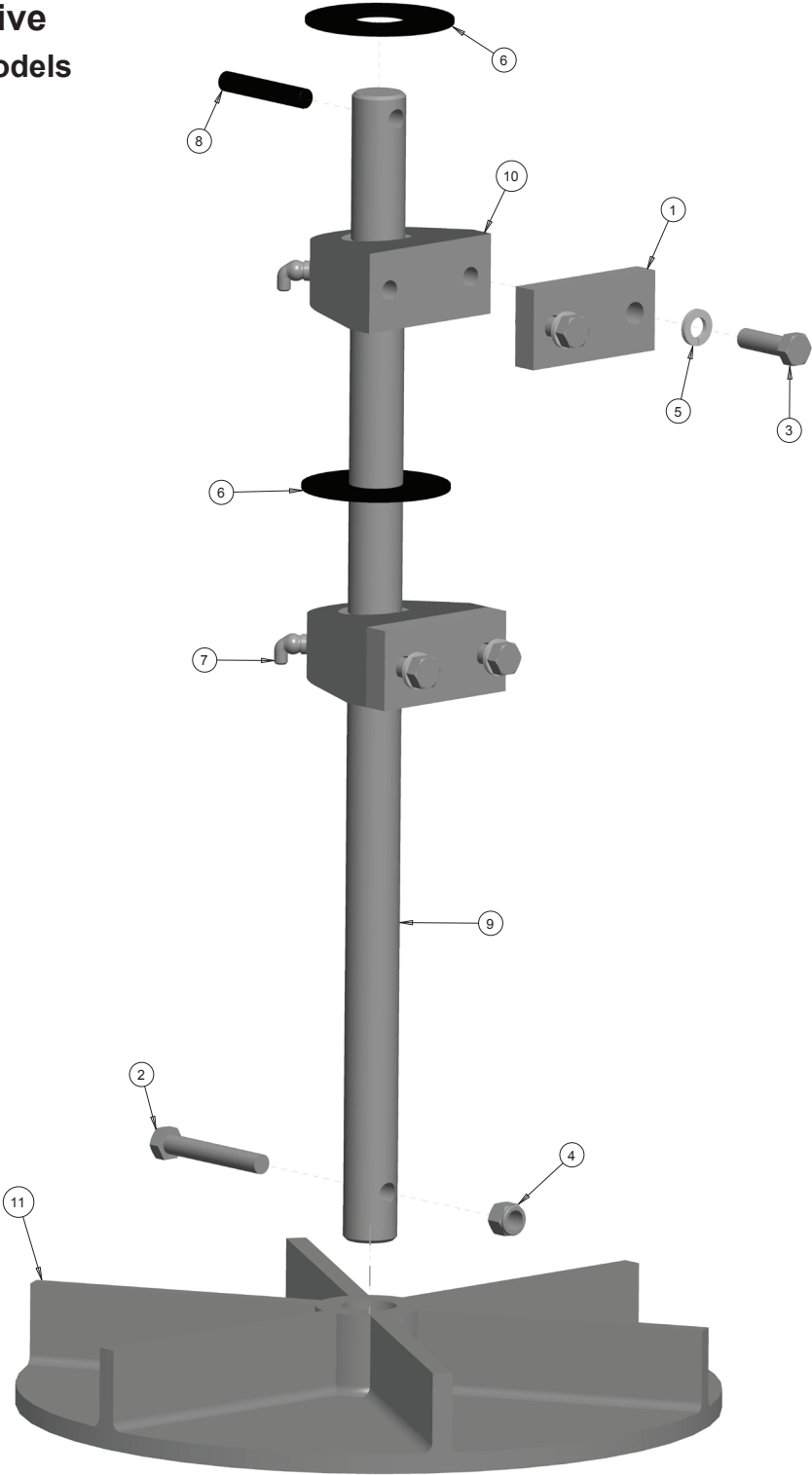


ILLUSTRATED PARTS LISTING
Meyer *BASELINE 800 SPREADER*

Item	Part Number	Description	Qty
1	62684	BLOCK, SPACER BEARING LPV	2
2	64184	SHAFT, SPINNER DRIVE	1
3	67595	FORM, REAR PLATE GAS 10G CS	1
	67596	FORM, REAR PLATE GAS 10G S2	
4	20068	BOLT, 3/8-16 X 2-1/2 HH G5 ZP	1
5	62697	BOLT, 3/8-16 X 1 HH SS	4
6	62695	BOLT, 3/8-16 X 1-1/4 HH SS	4
7	63348	LOCKNUT, 3/8-16 NL SS	4
8	62696	LOCKNUT, 3/8-16 NL SS SP	1
9	63206	LOCKWASHER, 3/8" MED SPLIT SS	4
10	63143	WASHER, FLAT RUBBER	2
11	62988	FITTING, ZERK 1/4"-28 90°	2
12	63685	SPROCKET, H40B13X1" W/KW	1
13	62356	BEARING, 1" TAPPED BASE	2
14	67186	SPRING, COMP 1-1/4"X1-5/16" S3	1
15	67187	SHAFT, COUPLING POLY	1
16	67597	FORM, SHROUD HINGE 10G CS	1
	67598	FORM, SHROUD HINGE 10G S2	
ZP= Zinc Plated CS = Mild Carbon Steel SS= Stainless Steel A/R= As Required			

ILLUSTRATED PARTS LISTING
Meyer *BASELINE 800 SPREADER*

**Spinner Drive
Gas Engine Models**

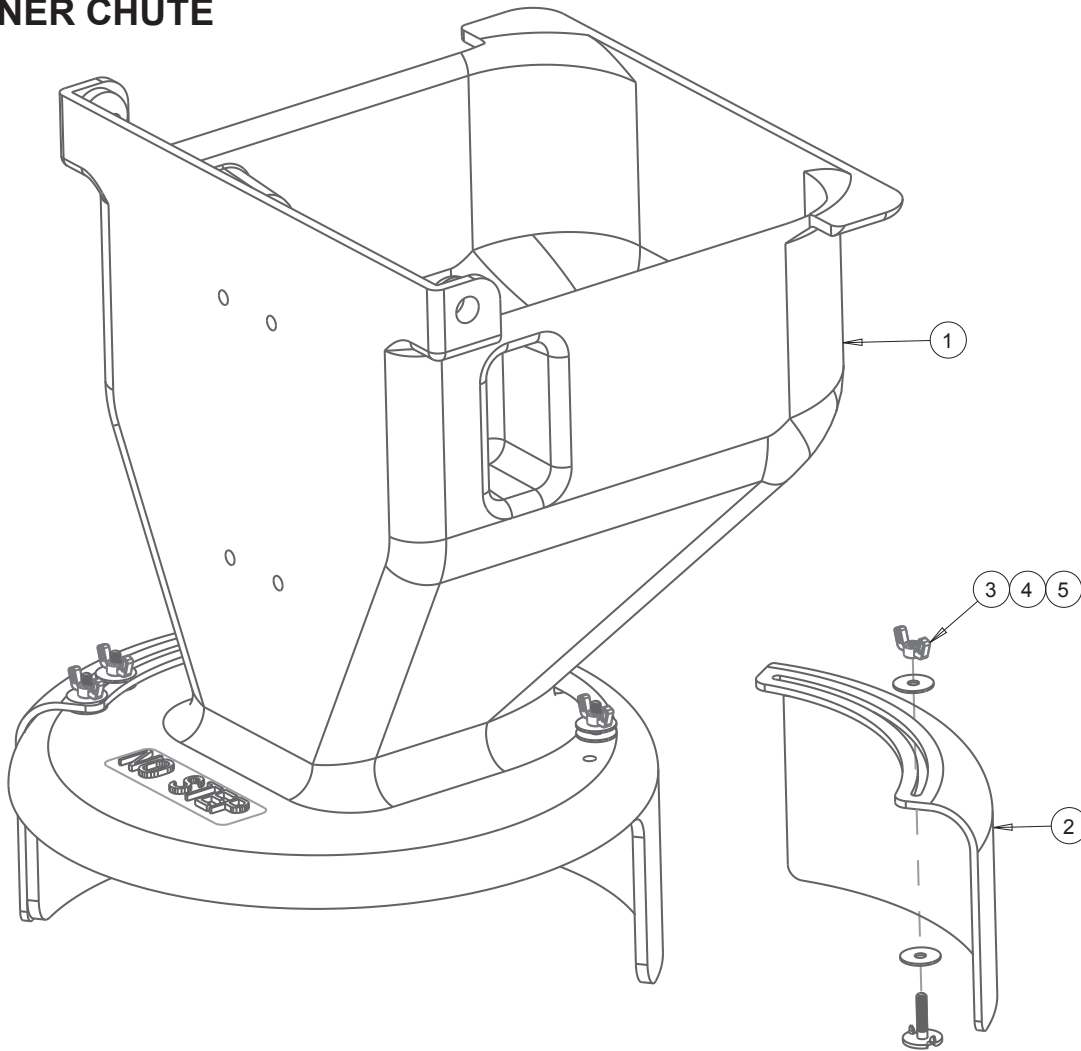


ILLUSTRATED PARTS LISTING
Meyer *BASELINE 800 SPREADER*

Item	Part Number	Description	Qty
1	62684	BLOCK, SPACER BEARING LPV	2
2	63198	BOLT, 3/8-16 X 2-1/2 HH SS	1
3	62695	BOLT, 3/8-16 X 1-1/4 HH SS	4
4	62638	LOCKNUT, 3/8-16 NL SS	1
5	63206	LOCKWASHER, 3/8" MED SPLIT SS	4
6	63143	WASHER, FLAT RUBBER	2
7	62988	FITTING, ZERK 1/4"-28 90°	2
8	63200	PIN, 3/8" X 2 1/4" ROLL	1
9	67180	SHAFT, SPINNER 14"	1
	67181	SHAFT, SPINNER 20"	
	67182	SHAFT, SPINNER 24"	
	67183	SHAFT, SPINNER 30"	
10	62356	BEARING, 1" TAPPED BASE	2
11	62146	DISC, POLY SPINNER 13"	1
ZP= Zinc Plated CS = Mild Carbon Steel SS= Stainless Steel A/R= As Required			

ILLUSTRATED PARTS LISTING
Meyer *BASELINE 800 SPREADER*

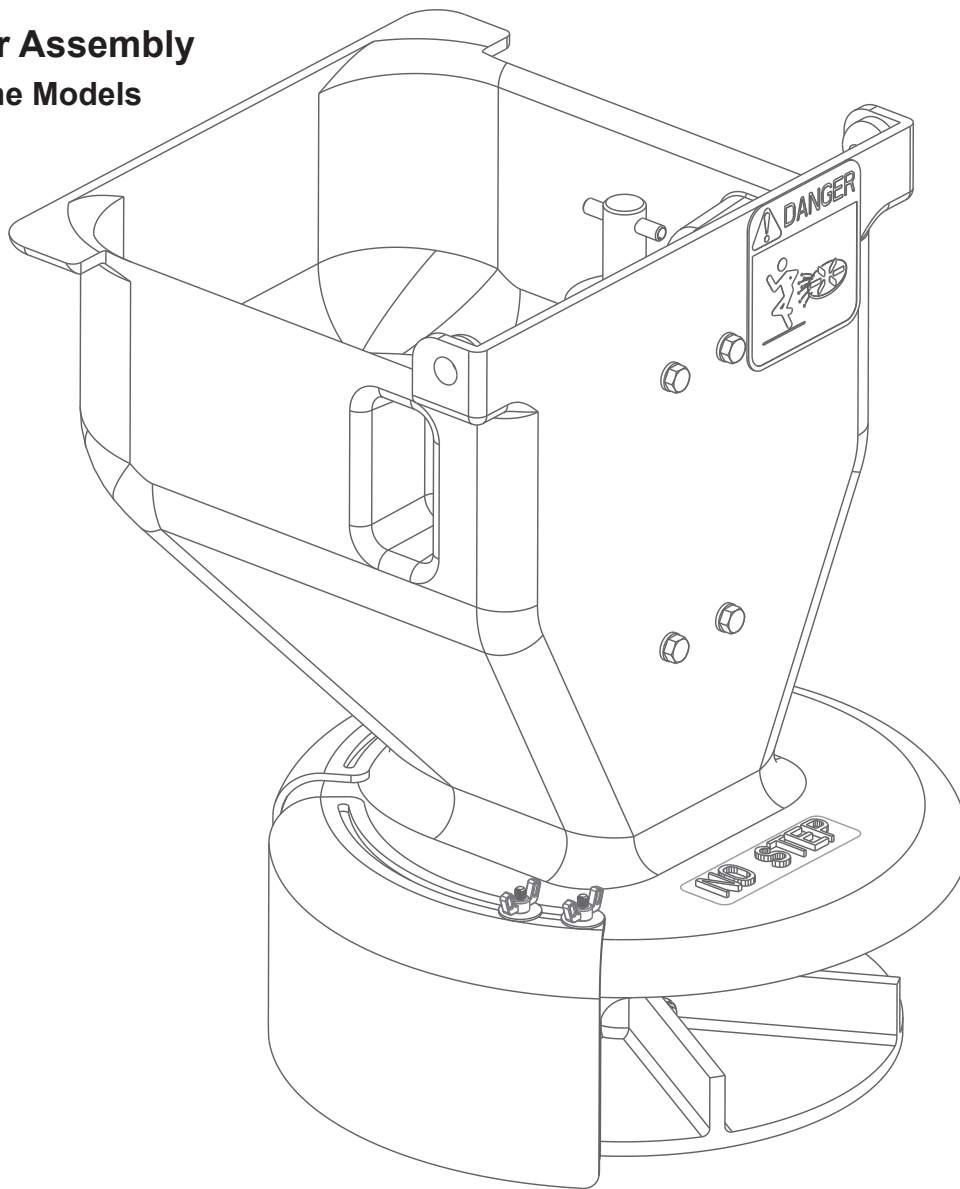
SPINNER CHUTE



Item	Part Number	Description	Qty
1	67198	SPINNER, POLY 14" MEYER	1
	67199	SPINNER, POLY 20" MEYER	
	67200	SPINNER, POLY 24" MEYER	
	67201	SPINNER, POLY 30" MEYER	
2	67202	BAFFLE, POLY SPNR LDPE	2
3	64841	BOLT, 1/4-20x1.25" FLUSH HEAD	4
4	64843	FLATWASHER, 1/4 FENDER	8
5	64845	LOCKNUT, 1/4-20 WING	4
ZP= Zinc Plated CS = Mild Carbon Steel SS= Stainless Steel A/R= As Required			

ILLUSTRATED PARTS LISTING
Meyer *BASELINE 800 SPREADER*

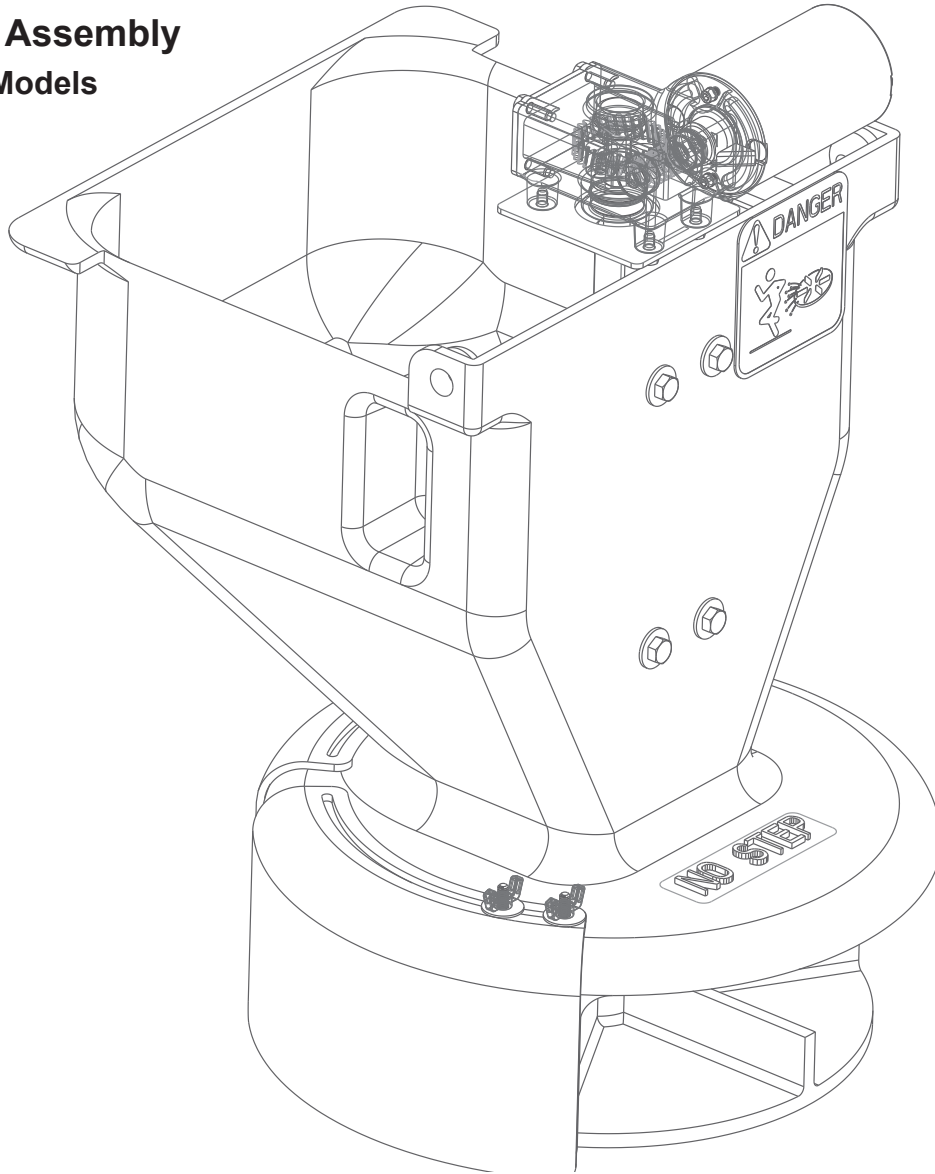
Full Spinner Assembly
Gas Engine Models



Part Number	Description
67554	Y, POLY SPNR 14" W/ 13" DISC
67555	Y, POLY SPNR 20" W/ 13" DISC
67556	Y, POLY SPNR 24" W/ 13" DISC
67557	Y, POLY SPNR 30" W/ 13" DISC

ILLUSTRATED PARTS LISTING
Meyer *BASELINE 800 SPREADER*

Full Spinner Assembly
Electric Models



Part Number	Description
67559	Y,POLY SPNR 14" DME13" DISC S2
67561	Y,POLY SPNR 20" DME13" DISC S2
67563	Y,POLY SPNR 24" DME13" DISC S2
67565	Y,POLY SPNR 30" DME13" DISC S2