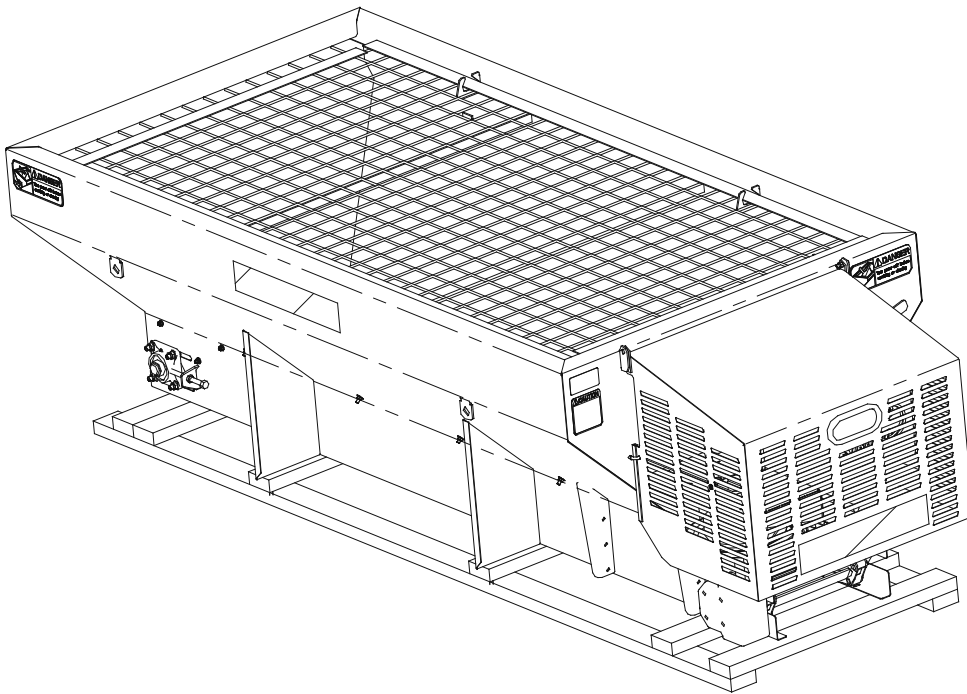


INSTALLATION AND INSTRUCTIONAL MANUAL PV SERIES



MODELS LISTED IN THIS BOOKLET
GAS-DRIVEN (HONDA AND BRIGGS & STRATTON)
HYDRAULIC
BASE LINE

Contents

INSTRUCTIONAL INFORMATION

SAFETY.....	3-4
INSTALLATION INSTRUCTIONS (CHMSL).....	5
SPREADER INSTALLATION AND ASSEMBLY INSTRUCTIONS.....	6-8
WIRELESS INSTRUCTION.....	9-17
DUAL CONTROL FLOW VALVE AND HYDRAULIC SPECIFICATION...18-19	
SPREADER OPERATION (GAS DRIVEN, HYDRAULIC, ELECTRIC).....	20
SPREADER OPERATION (BASE LINE ONLY).....	21
MAINTENANCE.....	22

PARTS LISTING

BASE LINE MODEL.....	23-37
GAS ENGINE MODELS (BRIGGS & STRATTON, HONDA).....	38-51
HYDRAULIC MODEL.....	52-60
DUAL ELECTRIC MODEL.....	61-77
PARTS TABLE (multi-conditional parts).....	80-81
GEARBOX.....	82-83
SPINNER ASSEMBLIES (SHORT, INTER., EXT.).....	84-89

RECORDS AND WARRANTY INFORMATION

NAMEPLATE INFORMATION.....	90
WARRANTY.....	91

INSTALLATION AND INSTRUCTIONAL MANUAL PV SERIES

THE BEST SAFETY DEVICE IS A CAREFUL OPERATOR SAFETY ALERT SYMBOL



THIS SYMBOL MEANS ATTENTION!
BECOME ALERT!
YOUR SAFETY IS INVOLVED!
PLEASE READ AND UNDERSTAND COMPLETELY BEFORE DO-
ING!

SAFE EQUIPMENT INSTALLERS and OPERATORS:



TURN OFF ALL POWER BEFORE PERFORMING ANY SERVICE OPERATIONS

- FOLLOW RECOMMENDED OPERATING PROCEDURES.
- KEEP EQUIPMENT IN SAFE OPERATING CONDITION AT ALL TIMES.
- RECOGNIZE AND AVOID HAZARDS WHILE OPERATING, SERVICING AND MAINTAINING EQUIPMENT.



NOTICE: INSTRUCTIONAL MATERIAL AND PARTS LISTS INCLUDED IN THIS MANUAL ARE SUBJECT TO CHANGE WITHOUT NOTICE.

INSTALLATION AND INSTRUCTIONAL MANUAL PV SERIES



WARNING

USE SAFETY GLASSES OR OTHER FACE PROTECTION AGAINST POSSIBLE BATTERY EXPLOSION. DO NOT SMOKE AND AVOID OTHER SOURCES OF IGNITION.



WARNING

Never operate machine with engine shroud in the upright position. Never climb into hopper while the engine is operating or capable of being operated.

SERIOUS INJURY or DEATH MIGHT OCCUR.

NOTE: Read and fully understand the owners manual supplied by the engine manufacturer before operating this equipment. Not doing so, endangers your safety and the warranty of the engine.

INSTALLATION AND INSTRUCTIONAL MANUAL PV SERIES

INSTALLATION INSTRUCTIONS CENTER HIGH MOUNT STOP LAMP (CHMSL)

ELECTRICAL CONNECTIONS FOR AUXILIARY CHMSL:



WARNING

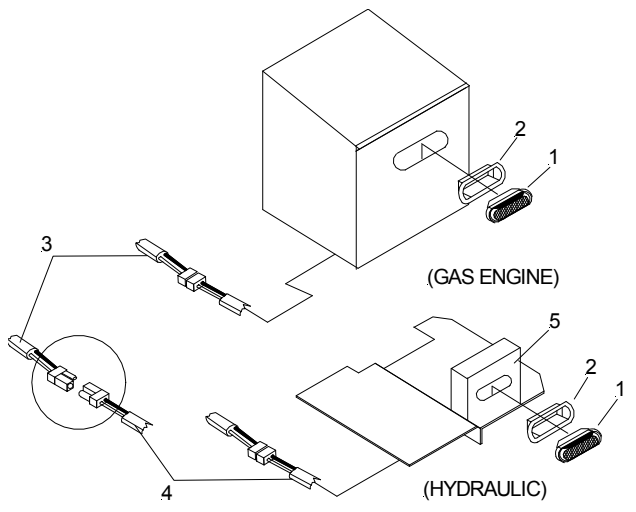
FEDERAL MOTOR VEHICLE SAFETY STANDARDS REQUIRE ALL TRUCKS, BUSES AND MULTIPURPOSE PASSENGER VEHICLES MANUFACTURED ON OR AFTER 5/1/1993, WITH A GROSS VEHICLE WEIGHT RATING (GVWR) OF 10,000 LBS. OR LESS AND OVERALL WIDTH LESS THAN 80" BE EQUIPPED WITH A CENTER HIGH MOUNT STOP LAMP.

NOTE:

If the original equipment CHMSL is obscured, an auxiliary CHMSL must be installed to bring the vehicle back into compliance with Federal Regulations.

1. Use high quality butt connectors and shrink wrap on all electrical splice connections. Wire should be routed and secured to protect against abrasion, sharp edges, and excessive movement. It is highly recommended that wiring be placed in convoluted tubing and secured with tie wraps
2. When drilling holes, any bare metal should be coated with a rust preventative; use appropriate size grommets and seal hole with appropriate sealant.
3. Allow for normal movement/twisting between cab and chassis/pickup box when routing wires.
4. When spreader is removed from the truck, the **OEM CHMSL** must be reconnected.

IMPROPER CONNECTIONS COULD RESULT IN A VARIETY OF PROBLEMS AFFECTING CRITICAL SYSTEMS SUCH AS BRAKING, ELECTRICAL AND EMISSION! DON'T GUESS!



WARNING!

CONSULT THE TRUCK MANUFACTURER FOR AN APPROVED METHOD OF CONNECTING AN AUXILIARY CHMSL TO A PARTICULAR TRUCK WHICH IS TO CARRY THE SPREADER. METHODS VARY WITH TRUCK MODELS, OPTIONAL EQUIPMENT AND YEARS OF MANUFACTURER.

<u>Item</u>	<u>Part Number</u>	<u>Qty.</u>	<u>Description</u>
1	62714	1	Lamp, Stop
2	62715	1	Grommet, Mounting
3	62364	1	Cable, Light Power (Hopper)
4	62738	1	Cable, Stop Lamp Power (Truck)
5	63155	1	Forming, Rear Stop Light Bracket CS (Hydraulic units only)
	64076		Stainless steel bracket.

INSTALLATION AND INSTRUCTIONAL MANUAL PV SERIES

INSTALLATION AND ASSEMBLY INSTRUCTIONS



CAUTION!

READ ALL OF THE INSTALLATION INSTRUCTIONS BEFORE STARTING.



CAUTION!

INSURE THAT THE SPREADER CANNOT TIP WHEN THE SPINNER ASSEMBLY IS ATTACHED.

INSTALLATION INSTRUCTIONS:

The PV Series Spreader can be mounted and stored as a single unit. The PV Series Spreader will mount on most medium, heavy-duty pickup trucks as well as 1 ton trucks (with optional extended spinner).



WARNING!

THE SPREADER UNIT MUST BE SECURELY FASTENED TO THE VEHICLE. FAILURE TO PROPERLY RESTRAIN THE UNIT COULD PERMIT THE UNIT TO BREAK FREE FROM THE TRUCK AND CREATE A POTENTIAL FOR A LIFE THREATENING ACCIDENT.

NOTE: TRANSPORTATION OF SPREADER MUST BE DONE WITH SPINNER IN THE DOWN POSITION. DAMAGE MAY OCCUR IF TRANSPORTED IN RAISED POSITION.

DO NOT OVERLOAD THE VEHICLE

It is quite possible to overload the vehicle by improperly mounting or overloading the spreader. This could result in dangerous stability and braking problems. Always consult and follow the truck manufacturer's instructions.



WARNING!

BEFORE BEGINNING ANY INSTALLATION ON THIS UNIT, DISCONNECT THE SPREADER BATTERY NEGATIVE CABLE IF ALREADY INSTALLED.

1. Place the spreader in the rear of the truck with the engine/motor to the rear of the truck. Center the spreader(side to side) in the truck.

2. Attach or lower spinner assembly.

3. Position the spreader in the truck bed, just short of making contact with the rear most part of the truck bed, bumper, pintle hook etc. Bolt the unit to the truck using a minimum of four (4) 1/2" Grade 5 bolts and corresponding washers and locknuts. The spreader is designed to sit flat on the bed of the truck, supported by the longitudinal sides.

DO NOT SUPPORT THE SPREADER BY THE BODY JACKS ALONE! UNIT IS NOT DESIGNED FOR CHASSIS MOUNT APPLICATIONS!



CAUTION!

DO NOT LEAVE UNUSED MATERIAL IN HOPPER.

4. Material could freeze causing the unit to not function correctly. Hopper should be emptied and cleaned after each use.



CAUTION!

BEFORE STARTING, VERIFY THAT THIS MOUNTING METHOD IS ACCEPTABLE TO THE VEHICLE MANUFACTURER.

5. Attach the hold down at each corner of the hopper as shown. Locate and drill four .531(17/32") diameter holes for eyebolts in the truck bed. Straps must be positioned at opposing angles so that the spreader cannot slide forward or rearward. Assemble ratchet/strap to eye bolts. Tighten hold downs evenly. Do not overtighten, damage will result to the spreader or the truck.

Note: If truck is equipped with sufficient tie downs, they may be used in place of eyebolt.

INSTALLATION AND INSTRUCTIONAL MANUAL PV SERIES

OPTIONAL HOLD-DOWN KIT Part No. 62562

ITEM	PART NUMBER	QTY.	DESCRIPTION
1	62602	4	Ratchet/Strap
2	62807	4	Bolt, 1/2" Eye
3	20307	4	Locknut, 1/2-13 Esna ZP
4	62604	4	Nut, 1/2-13 Hex ZP
5	62605	8	Flatwasher, 3/4"

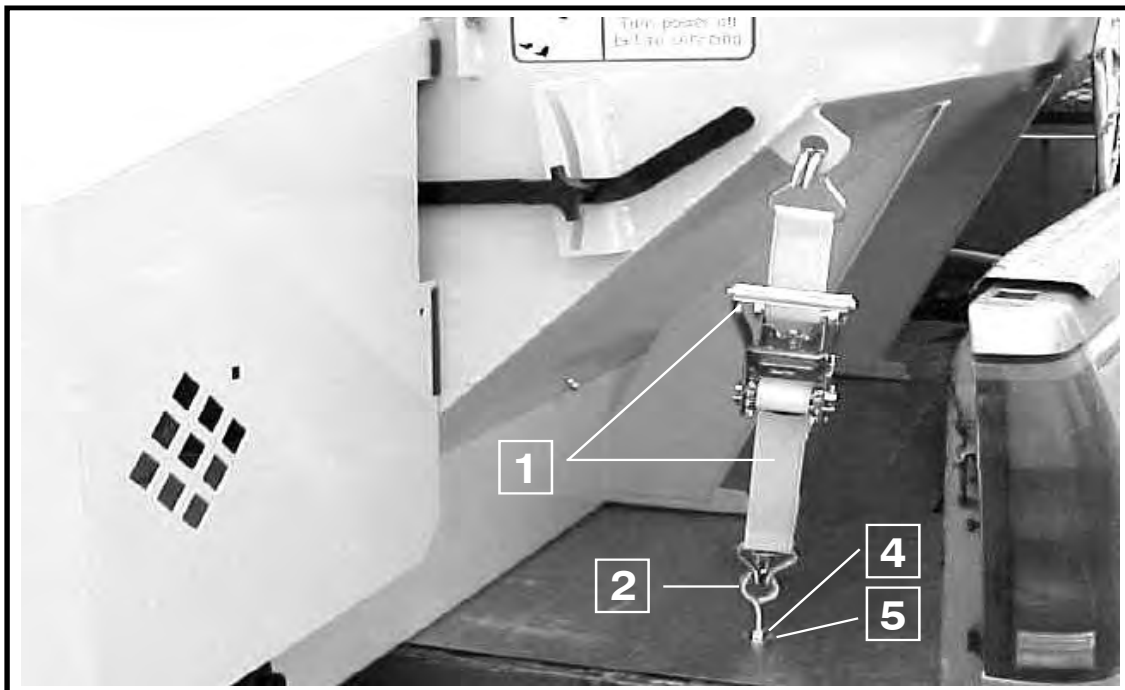
INSTALLATION INSTRUCTIONS

CAUTION

READ ALL THE INSTALLATION INSTRUCTIONS BEFORE STARTING

Before starting, verify that this mounting is acceptable to the vehicle manufacturer.

Attach the hold down at each corner of hopper as shown. Locate and drill four .531 (17/32") diameter holes for eye-bolts in the truck bed (position may vary from that shown). Straps must be positioned at opposing angles so that spreader cannot slide forward or rearward. Mount eye-bolts as shown, with locknuts and flatwashers on the bottom side. Assemble ratchet/strap to eye-bolts. Tighten hold downs evenly. Do not over tighten damage will result to the spreader or the truck.



INSTALLATION AND INSTRUCTIONAL MANUAL PV SERIES

OPTIONAL HOLD-DOWN KIT Part No. 62562

ITEM	PART NUMBER	QTY.	DESCRIPTION
1	62602	4	Ratchet/Strap
2	62807	4	Bolt, 1/2" Eye
3	20307	4	Locknut, 1/2-13 Esna ZP
4	62604	4	Nut, 1/2-13 Hex ZP
5	62605	8	Flatwasher, 3/4"

INSTALLATION INSTRUCTIONS

CAUTION

READ ALL THE INSTALLATION INSTRUCTIONS BEFORE STARTING

Before starting, verify that this mounting is acceptable to the vehicle manufacturer.

Attach the hold down at each corner of hopper as shown. Locate and drill four .531 (17/32") diameter holes for eye-bolts in the truck bed (position may vary from that shown). Straps must be positioned at opposing angles so that spreader cannot slide forward or rearward. Mount eye-bolts as shown, with locknuts and flatwashers on the bottom side. Assemble ratchet/strap to eye-bolts. Tighten hold downs evenly. Do not over tighten damage will result to the spreader or the truck.



INSTALLATION AND INSTRUCTIONAL MANUAL PV SERIES

SPREADER OPERATION

Standard Wireless Throttle Control Button Functions (Sequence of Operations)



- A. ON/Off System power activated (ready to start). Spreader engine not running. Spreader conveyor is not engaged.
- B. START (Engine Only)
1. Open fuel shut off valve on engine. CHOKE (Cold engine.) Hold down for 5 seconds to move the throttle actuator to the choke position.

NOTE: Choking a warm engine may not be necessary.

2. START Hold down button until engine starts.
 3. TURTLE Decreases throttle speed - adjust as engine warms up. Will stop the choke function.
 - RABBIT Increases throttle speed.
- C. TO ENGAGE SPREADER CONVEYOR
1. CONVEYOR Push CONVEYOR switch only after you are sure no one is in the hopper or near the spinner!
- D. TO CONTROL CONVEYOR SPEED
1. RABBIT Hold RABBIT to increase speed.
- Note **DO NOT** hold switch in **HI** position after the desired RPM is achieved or you will choke and/or stall the engine.
 2. TURTLE Hold TURTLE to decrease speed.

E. TO DISENGAGE SPREADER CONVEYOR

 1. CONVEYOR Push conveyor button.

- F. TO TURN ENGINE OFF (With or without conveyor running).
1. TURTLE Push throttle slow button to reduce setting to idle (this prevents engine flooding and hard starting).
 2. STOP Push STOP button and hold 5 seconds.

NOTE: OFF can be pushed at anytime during spreader operation to cut power to the unit; however, you should normally use steps under F above.

- G. Do not attempt to start the engine with the conveyor engaged.
- H. Close fuel shut off valve on engine if unit is to be transported while not running.

! WARNING!

1. As with all power equipment, safety is the number one concern.
2. Do not operate this equipment until you fully understand how it functions.
3. Before starting engine, be sure that no one is near the rear of the unit and that no one is inside the unit!
4. Do not start the engine or engage the conveyor (which is interconnected to the spinner) until everyone is clear from moving parts and flying material from the spinner.

Meyer Products Standard Wireless Controller For use with Gas Engine packages

The wireless controller is a compact unit with two parts. One part is the **Base Unit (Receiver)** and the other part is the **Transmitter (Hand Held Controller)**. The Transmitter is used to send a corresponding signal to the Base Unit to act as a remote switching device.

Set-up and Operation

The Meyer Wireless Controller comes factory programmed. That means matching the Base Unit to the Transmitter has been done by Meyer Products. This gives a matched (1 of 16 million combinations @ 418MHz) interface between the Transmitter and Base Unit. See Figures 1 & 2 for Transmitter button assignments. On the 8 button Meyer Products Transmitter, all (8) buttons are used when programming. When programming is completed, only (5) buttons are functional (Buttons #1, #3, #4, #5, & #6) (see Fig. 1).

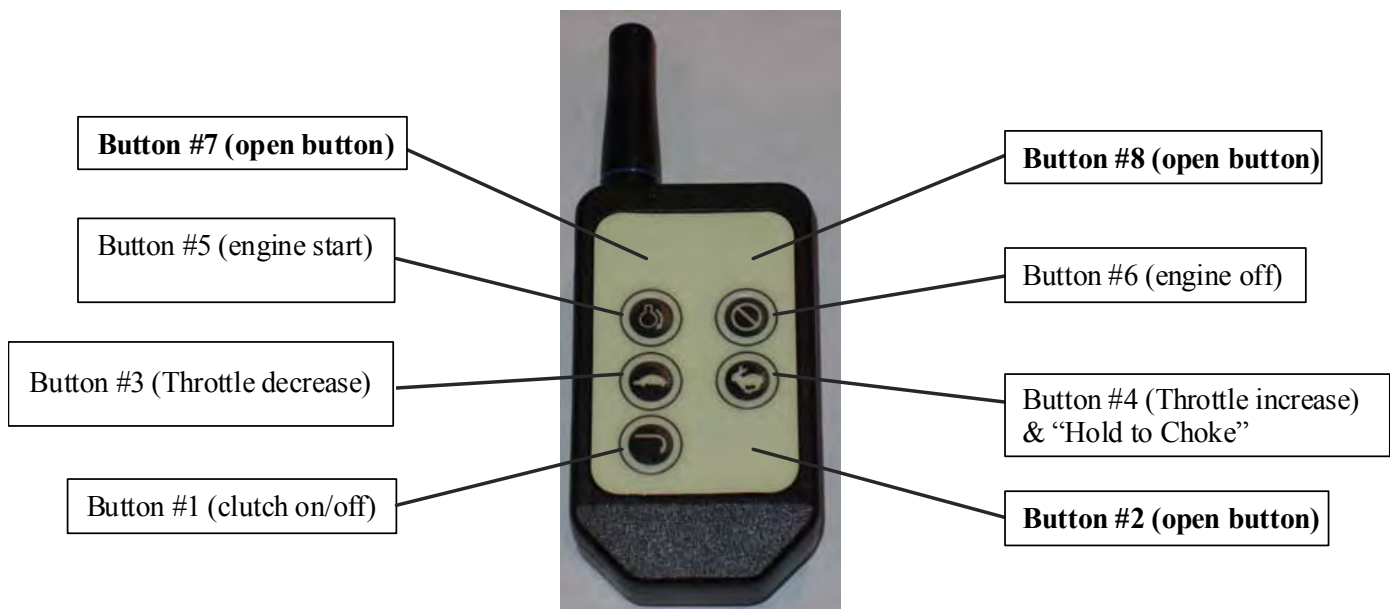


Fig. 1: Transmitter Front Button Assignments



Fig. 2: Transmitter Back Button Assignments

INSTALLATION AND INSTRUCTIONAL MANUAL PV SERIES

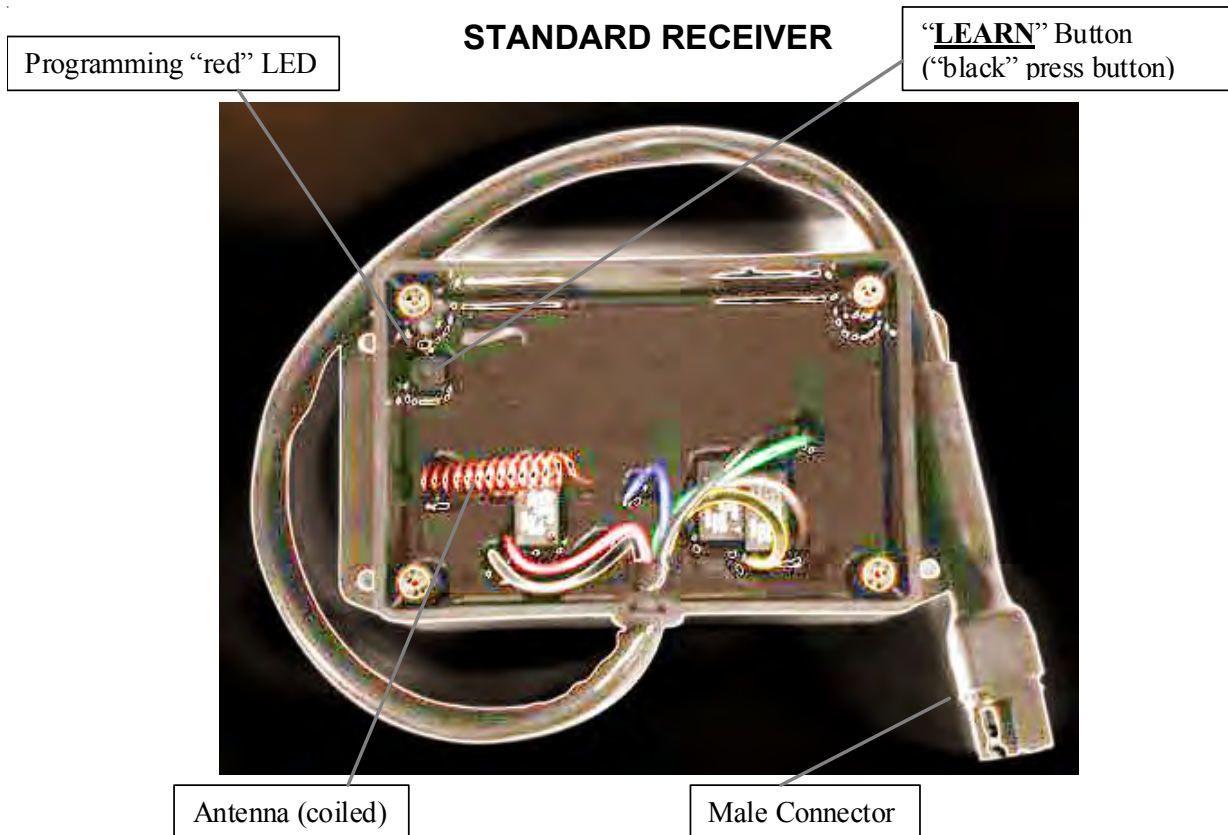


Fig. 3: Base Unit layout (Figure shown without Base Unit Cover)

Programming/Reprogramming the Transmitter and the Base Unit:

Tools needed: A small "phillips" screwdriver and a small diameter pin (paper clip).

Instructions to program Transmitter and Base Unit:

1. Remove (4) screws and cover on Base Unit.
2. Power-up the Base Unit. Connect a 12V power source to the spreader 12V battery terminals and plug the engine wire harness to the Base Unit wire harness (see Male Connector in Fig. 3). **DO NOT DISCONNECT THE BATTERY TERMINALS** from the 12V source when engine is running.
3. On the backside of the Transmitter depress the "**ADD**" button (see Fig. 2) using a small pin or paper clip – You will see a "blue" LED start to blink (for approximately 15-17 seconds).
4. On the front side of the Transmitter press all (8) buttons (see Fig. 1). There is no certain order to press the buttons. Firmly press each button, separately. Perform this step before the 15-17 seconds are up (before "blue" LED stops blinking). The Transmitter is now programmed and has created its own 1 in 16 million address. Once the "blue" LED stops blinking, this step is completed.
5. On the Base Unit (see Fig. 3) press the black "**LEARN**" button. The "red" LED will start to blink (for approximately 15-17 seconds).
6. On the front side of the Transmitter you only need to press Button #1 (clutch on/off), once. Perform this step before the 15-17 seconds are up (before "red" LED stops blinking). The base unit has now recognized the Transmitters unique 1 in 16 million address. Once the "red" LED stops blinking, this step is completed.
7. Verify the (5) functional buttons (Buttons #1, #3, #4, #5, & #6) on the Transmitter are working with the Spreader Unit by pressing each button, individually (the Base Unit "red" LED will flash when a Transmitter button is pressed). If Transmitter buttons are not working, repeat steps 3 – 8 or see the Trouble shooting directions.
8. When Transmitter buttons are functioning properly, re-assemble the Cover on the Base Unit with the (4) screws. Your Meyer Products Wireless Controller is now ready to use!

INSTALLATION AND INSTRUCTIONAL MANUAL PV SERIES

Meyer Products Variable Speed Wireless Controller For use with Electric Packages

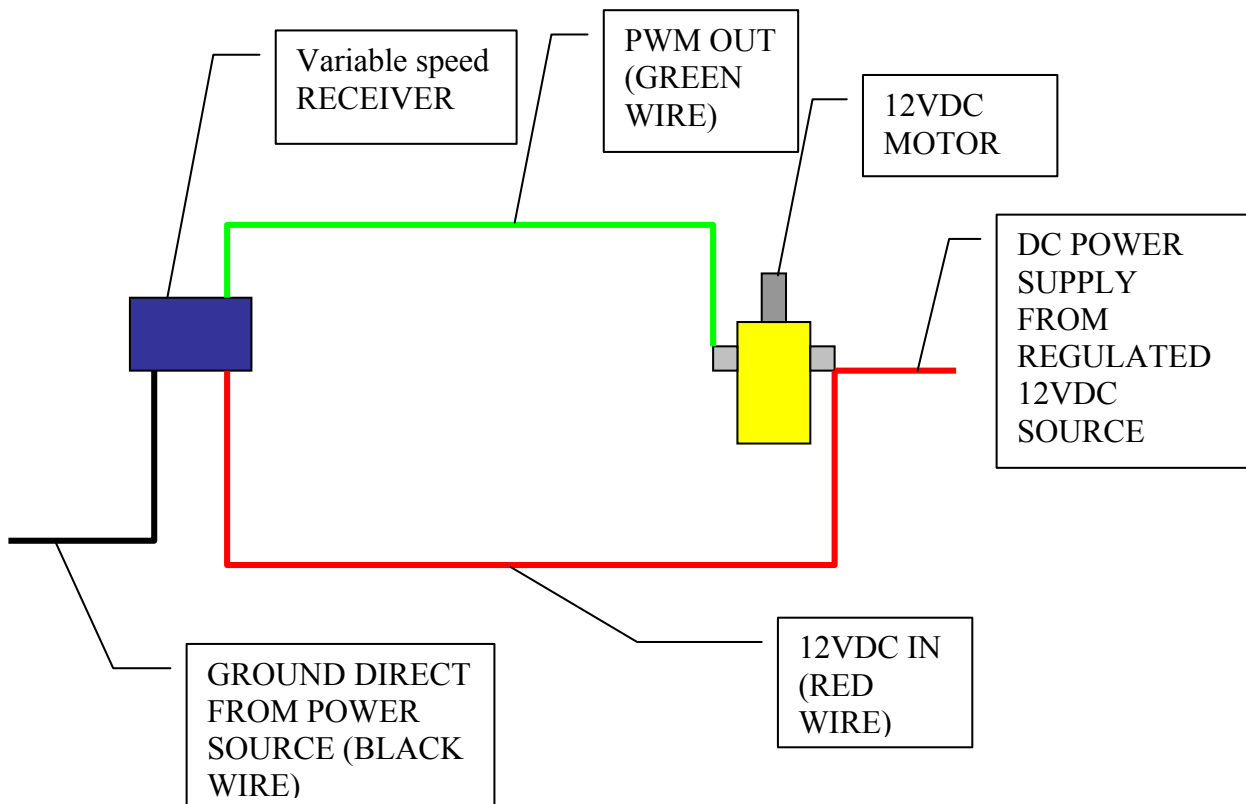
How it Works:

The Variable speed Wireless DC Motor Controller provides RPM control for a single, 2 pole DC motor that can output 180 amps for up to 5 seconds and a continuous amperage of up to 80 amps. The speed or RPM control is done by providing the user 5 outputs, approximately 1/5 of the maximum motor RPM. The also incorporates a full RPM feature the runs the motor full speed for 6 seconds and then automatically shuts off and an E-Stop.

To protect the motor and electronics, the variable speed has built-in safety circuits. These include:

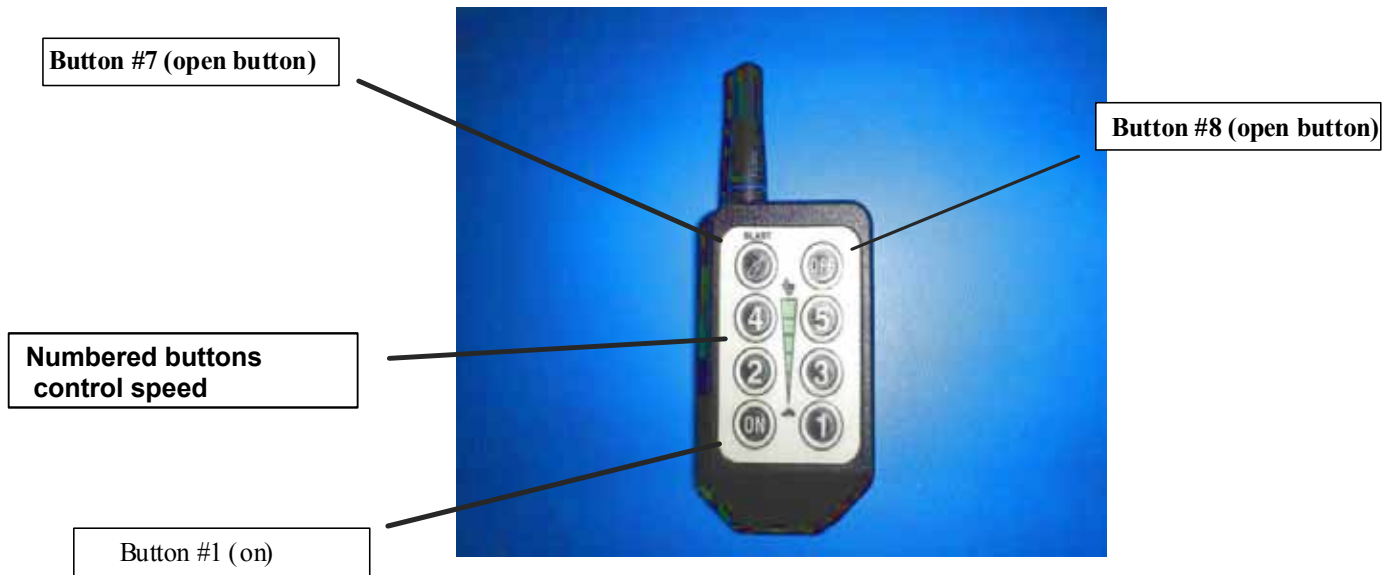
- Automatic shut down if motor is locked up. How this is done is if the receiver senses a current draw of more than 180 amps for more than 10mS the unit will shut down from 1 to 30 seconds.
- Automatic shut off if the current draw does not drop below 80 amps after 5 seconds. Once again, the receiver will shut down for 1 to 30 seconds.

Typical Wiring Connection Diagram



INSTALLATION AND INSTRUCTIONAL MANUAL PV SERIES

OPERATION:



VARIABLE SPEED TRANSMITTER

Shown above is a typical transmitter for wireless operation of a 12VDC motor. The button functions are as follows:

1. **ON/** This button turns on the receiver unit and will allow the receiver to function. It also will stop the unit, but does not shut down the receiver.
2. **#1/** Slow speed setting of approximately 1/5th of full motor speed.
3. **#2/** Speed setting or approximately 2/5th of full motor speed.
4. **#3/** Speed setting or approximately 3/5th of full motor speed.
5. **#4/** Speed setting or approximately 4/5th of full motor speed.
6. **#5/** Full Speed.
7. **Blast/** A timed 6 to 8 second full speed with auto shut down.
8. **OFF/** Shuts down the receiver unit. Must be turned on using Button #1

Programming Transmitter to Receiver:

The following are the step by step procedures for setting the unique address between the transmitter and receiver or adding extra transmitters to the receiver (up to 40 transmitters).

1. Disconnect green PWM wire from motor.
2. On the backside of the Transmitter, use a paperclip and insert it in the hole next to the clear blue window. Once the programming button is depressed, a blue LED will begin to blink for 15 seconds. Flip the Transmitter over and firmly depress all 8 buttons starting with the ON button within 15 seconds. Now the Transmitter has acquired a 1 in 16 million address.
3. Next step is to remove the receiver box cover noting the drain hole positions in the cover. Hook up the Power (red wire) and Ground (black wire) to a 12VDC power source. Inside the box next to the red LED depress the black programming

INSTALLATION AND INSTRUCTIONAL MANUAL

PV SERIES

button. The red LED will begin to flash for 15 seconds. Take the Transmitter while the red LED is flashing and firmly depress the ON button within the 15 seconds. Now the unique address of the Transmitter will only be recognized by that matched receiver. The red LED will automatically shut off after 15 seconds. To make sure the programming procedure was successful, depress any of the Transmitter buttons and the red LED in the receiver should light. Re-install the cover noting drain hole position and re-connect the PWM (green wire) to the motor. The Variable speed controller is now ready to operate the DC motor.

Specifications:

- Up to 180 amp output for up to 5 seconds.
- Continuous output of up to 80 amps.
- 5 motor speed outputs of approximately 1/5, 2/5, 3/5, 4/5 and 5/5ths of motor current draw.
- Built in E-Stop using OFF button.
- Built-in over current safety protection. If a lock-up condition occurs at the motor causing the motor to draw more than 200 amps the unit will automatically shut down and must be turned back on using the ON button after the circuit temperature drops to an acceptable range taking 1 to 30 seconds. **Warning:** If this situation continues to re-occur the operator needs to check for reasons why the motors will not turn.

INSTALLATION AND INSTRUCTIONAL MANUAL PV SERIES

VARIABLE SPEED RECEIVER

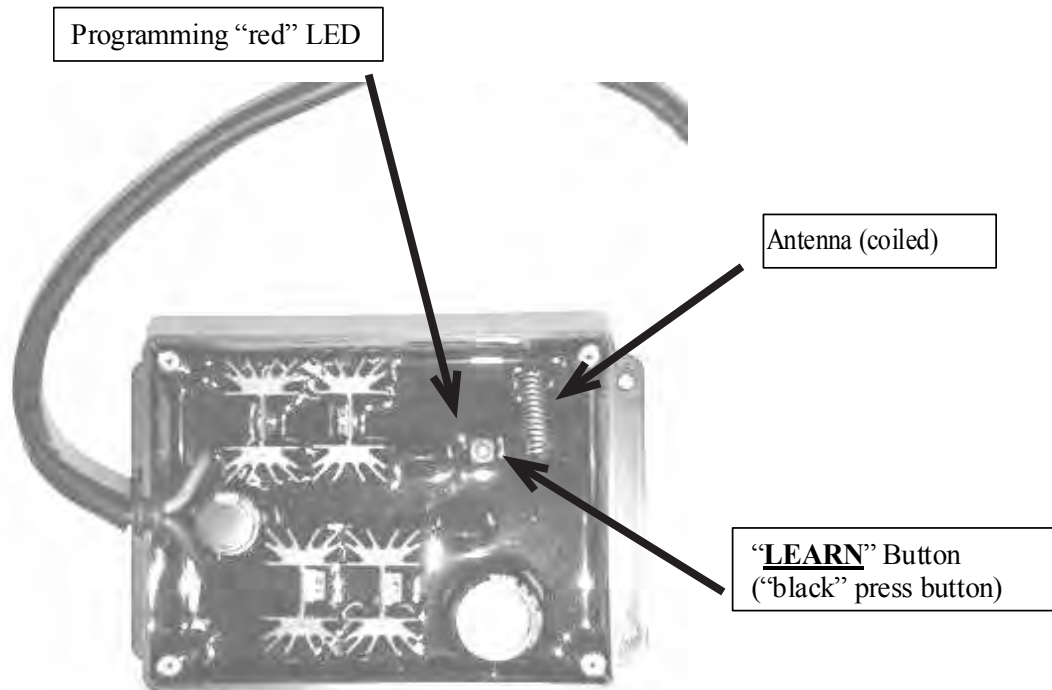


Fig. 3: Base Unit layout (Figure shown without Base Unit Cover)

Programming/Reprogramming the Transmitter and the Base Unit:

Tools needed: A small "phillips" screwdriver and a small diameter pin (paper clip).

Instructions to program Transmitter and Base Unit:

1. Remove (4) screws and cover on Base Unit.
2. Power-up the Base Unit. Connect a 12V power source to the spreader 12V battery terminals and plug the engine wire harness to the Base Unit wire harness (see Male Connector in Fig. 3). **DO NOT DISCONNECT THE BATTERY TERMINALS** from the 12V source when engine is running.
3. On the backside of the Transmitter depress the "**ADD**" button (see Fig. 2) using a small pin or paper clip – You will see a "blue" LED start to blink (for approximately 15-17 seconds).
4. On the front side of the Transmitter press all (8) buttons (see Fig. 1). There is no certain order to press the buttons. Firmly press each button, separately. Perform this step before the 15-17 seconds are up (before "blue" LED stops blinking). The Transmitter is now programmed and has created its own 1 in 16 million address. Once the "blue" LED stops blinking, this step is completed.
5. On the Base Unit (see Fig. 3) press the black "**LEARN**" button. The "red" LED will start to blink (for approximately 15-17 seconds).
6. On the front side of the Transmitter you only need to press Button #1 (clutch on/off), once. Perform this step before the 15-17 seconds are up (before "red" LED stops blinking). The base unit has now recognized the Transmitters unique 1 in 16 million address. Once the "red" LED stops blinking, this step is completed.
7. Verify the (5) functional buttons (Buttons #1, #3, #4, #5, & #6) on the Transmitter are working with the Spreader Unit by pressing each button, individually (the Base Unit "red" LED will flash when a Transmitter button is pressed). If Transmitter buttons are not working, repeat steps 3 – 8 or see the Trouble shooting directions.
8. When Transmitter buttons are functioning properly, re-assemble the Cover on the Base Unit with the (4) screws. Your Meyer Wireless Controller is now ready to use!

INSTALLATION AND INSTRUCTIONAL MANUAL

PV SERIES

Transmitter Battery Replacement

The Transmitter uses a standard CR2032 lithium button cell battery. In normal use it will provide 1 to 2 years of operation. To replace the Transmitter battery, gently press and slide the battery cover off. Remove the battery by sliding (NOT lifting) it out from underneath the retainer (see Fig. 4). Observe the battery polarity when replacing (“+” showing face up).

Notes:

1. If the battery loses power or is removed the Transmitter and Base Unit may need to be reprogrammed (see reprogramming Transmitter and Base Unit instructions). Check Transmitter functional buttons to verify if reprogramming is necessary.
2. When removing lithium battery, please use caution to slide not lift the battery from the controller! If excess force is used to remove the battery (example: lifting the battery with a small screw driver) – the solder connections from the battery clip to the circuit board could be pried loose. This action is not covered under warranty.

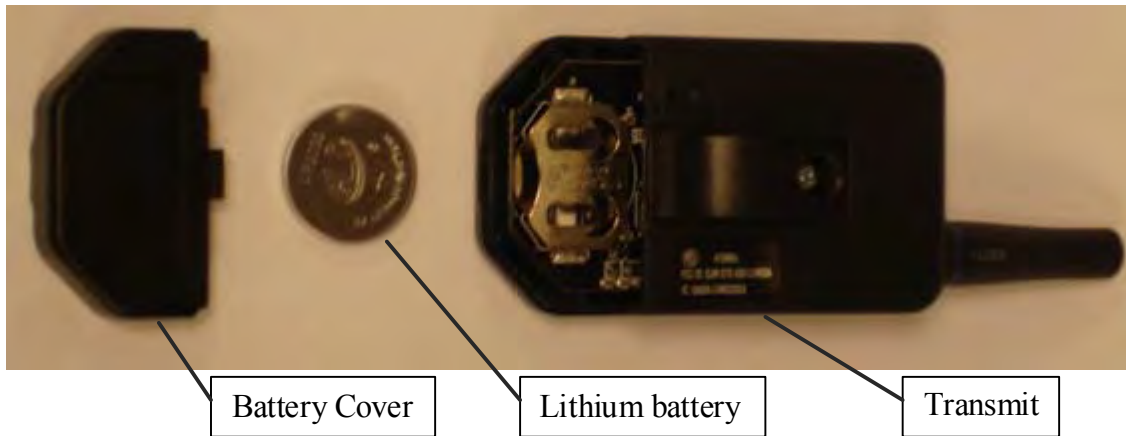


Fig. 4: Back of Transmitter with back cover and battery removed

Other Considerations

1. **Powering off the engine will not automatically power off the Clutch** (engagement of conveyer/spinner). If clutch remains engaged, after engine is turned off, it could lead to a slow electrical drain on the 12V battery. (Gas engine models only)
2. **If an unregulated voltage** (example: sparking the battery cable terminal to the 12V battery post.) **is sent to the Base Unit it could erase the Base Unit programming.** The remote may show signs of no longer working with the Base Unit. Reprogramming will be required. When 14Amps are supplied the Base Unit circuit board is designed to shut off. See additional trouble shooting comments.
3. **Only one transmitter at a time can be activated within a reception area.** Only one carrier of a particular frequency may occupy the same airspace at a given time. This means that if two transmitters are activated in the same area at the same time the signals will interfere and the decoder on the receiver will not see a valid transmission and the wireless controller will not function.
4. **Multiple Transmitters** can be programmed to (1) Base Unit.
5. To verify the Base Unit is receiving a signal from the Transmitter. Press a button on the Transmitter - “red” LED on the Base Unit will light-up.
6. Meyer Products has no control over the intended usage of this product. Because of that , Meyer Productcs offers no written or expressed liability as to how this product is used. Meyer Products recommends that these units are intended for OFF ROAD USE ONLY!

INSTALLATION AND INSTRUCTIONAL MANUAL PV SERIES

TROUBLE SHOOTING

1. **To verify the Transmitter and Base Unit are working together:** Once the base unit has power the “red” LED will come on when the Transmitter buttons are depressed (Cover of Base Unit will need to be removed to see “red” LED). If the “red” LED does not come on, the Base Unit is NOT getting a signal from the Transmitter.

Possible Solutions:

- A. Reprogramming the Transmitter and Base Unit might be required.
- B. Base Unit might not be functioning properly (see Base Unit trouble shooting below).
- C. Transmitter might not be functioning properly. (see Transmitter trouble shooting below).

2. **Base Unit Programming Lose:** If an unregulated voltage (spark) is sent to the Base Unit from a power source the Base Unit could lose its programming. The voltage spike will not damage the Base Unit or Transmitter. Unregulated voltage could generate from the following:
 - Connecting battery cables to a 12V battery source.
 - Jump starting the 12V battery.(Gas engine models only)
 - Charging the 12V battery.
 - Pull-starting the engine.(Gas engine models only)

Possible Solutions:

- A. Reprogramming the Transmitter and Base Unit may be required.
- B. Base Unit might be damaged, a new Base Unit & Transmitter will need to be ordered.

3. **Base Unit does not function properly:** (example: “red” LED will not light up when “**LEARN**” button is depressed on Base Unit).

Possible Solutions:

- A. Check/verify voltage of 12V is being supplied by the 12V battery. Lower voltages than 12V will not allow the Base Unit to function properly.
- B. Confirm all wires on engine wire harness are secure and properly connected.
- C. Base Unit could be damaged, a new Base Unit & Transmitter will need to be ordered.

4. **Transmitter does not have power:** (example: “blue” LED will not light up when “**ADD**” button is depressed on Transmitter).

Possible Solutions:

- A. Verify tool diameter (example: paperclip) to depress Transmitter “**ADD**” button is small enough to enter the “**ADD**” button hole.
- B. Verify the lithium button cell battery polarity is correct (“+” will be facing up).
- C. If the Transmitter is 1-2 years old, check the lithium battery voltage with a meter or replace the battery as needed (CR2032 lithium button cell battery).
- D. Transmitter could be damaged, a new Transmitter will need to be ordered.

5. **General troubleshooting:**

- A. Try to Program/reprogram the Transmitter and Base Unit.
- B. Verify the Ground wires (all wires) are secure.
- C. Check connections to the components that the unit is trying to operate using a voltmeter.

WARNING

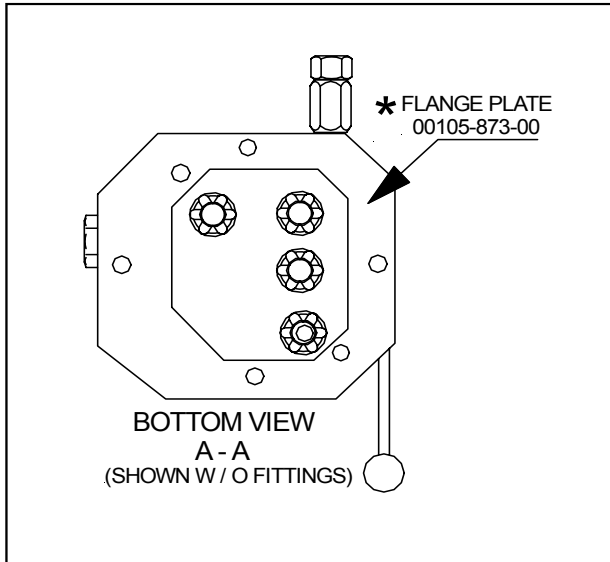
1. **Disconnecting 12V Battery Cables/Terminals:**
 - A. DO NOT DISCONNECT THE BATTERY (CABLES/TERMINALS) WHEN THE ENGINE/MOTOR IS RUNNING. This could disable or permanently damage the Base Unit.

For further technical assistance please contact Meyer Products at 216-533-6512 or visit us at www.meyerproducts.com to download updated Wireless Controller Instructions.

INSTALLATION AND INSTRUCTIONAL MANUAL PV SERIES

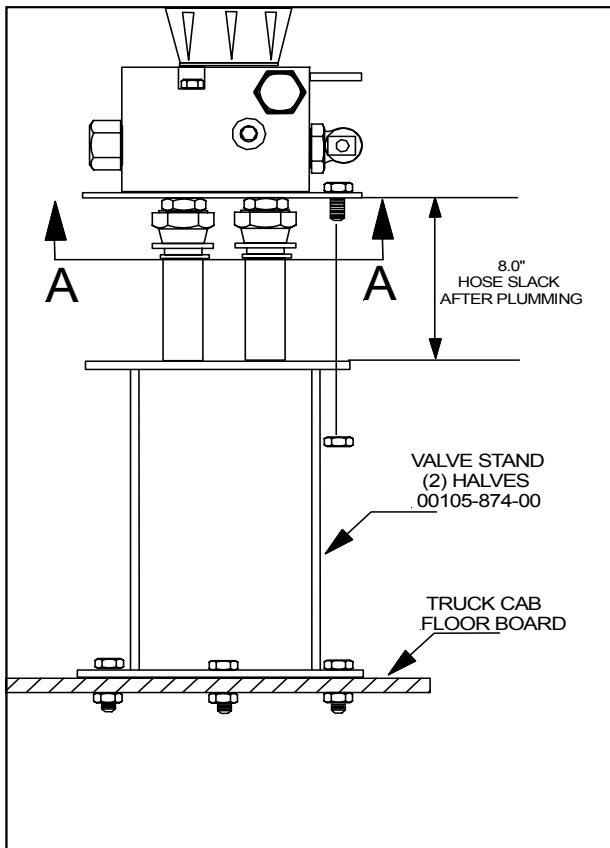
SINGLE FLOW CONTROL VALVE

61190



DUAL FLOW VALVE/STAND INSTALLATION INSTRUCTIONS

1. **IMPORTANT:** A pipe joint sealant compatible with hydraulic oil must be applied to all screw fittings. (Teflon Tape Sealant Is Not Recommended)
2. Hose ends connected to flow valve must be of the "swivel" type.
3. **CAUTION:** Over tightening of the fittings in flow valve may cause damage to valve body.
4. Approximately 8" of hose slack must be realized between the flow valve and valve stand after the flow valve has been completely plumbed. If this condition does not exist after the plumbing has been completed, removal of valve will require hoses to be removed at opposite end of valve.
5. Assembly of valve on stand:



- a. Cut a 5" x 5" square opening in floor board of truck where the valve stand is to be located.
- b. Bolt valve stand halves together forming a "box" over the 5" x 5" square opening. **NOTE:** When bolting valve stand halves in place, make sure holes in flanges align with holes in flange plate.**
- c. Bolt flange plate to VALVE (Use (2) 1/4" x 3" bolts, lockwashers, etc.)
- d. Insert hoses through floor opening and valve stand and connect appropriate hoses (see instructions #1 thru #4) to flow valve.
- e. Bolt flange plate to valve stand flanges.

HYDRAULICS



WARNING

LEAKING HIGH PRESSURE FLUIDS CAN INJECT THEMSELVES UNDER THE SKIN OF PERSONS NEAR A LEAK, CREATING GRAVE MEDICAL RISKS. TAKE CARE TO AVOID EXPOSURE TO HIGH PRESSURE FLUIDS.

1. Hydraulic components should be kept as clean as possible during assembly operations.
2. Galvanized pipe and pipe fittings must not be used because flaking or galvanizing material can cause damage to major hydraulic components.
3. A pipe joint sealant, compatible with hydraulic oil, must be applied to all screwed fittings. (Teflon tape is not recommended.)
4. Hose should be protected where severe wear may be caused by vibration or sliding movement.
5. Long runs of hose should be supported by tie wiring or clamping.
6. Pressure and return hoses, connected to hydraulic motors, may be reversed for proper motor rotation. Spinner rotates in a clockwise direction when looking down from top.
7. Use hose manufacturer's recommendations for fitting re-useable hose ends.
8. Hydraulic pumps must be mounted so shaft rotates in direction of arrow.
9. Locate reservoir as close to pump as possible. It may be installed on truck frame or truck box.
10. Hydraulic return line filter is screwed directly onto reservoir with cartridge down. Oil must flow through filter in direction of arrow on filter.
11. Install the quick connect couplings so that when disconnected, there is a male and female on the truck as well as on the spreader. This way, hoses will always be hooked up properly, and hose ends can be coupled together when spreader is in storage to prevent system contamination.
12. See page 13 for valve assembly
13. Operate hydraulic system for several minutes to warm up. Check all connections for leaks.
14. After running, refill reservoir to three fourths full.

CONTROL AND HYDRAULIC SYSTEM SPECIFICATIONS

- * Hydraulic Oil Good Grade of MS10W Hydraulic Oil Which has wear, oxidation and foam inhibitors.
- * Oil Filter 10 Micron Element Return Line Filter.
- * Relief Valve Setting 1500 PSI
- * Oil Flow 0 - 10 GPM

INSTALLATION AND INSTRUCTIONAL MANUAL PV SERIES

SPREADER OPERATION

- A. Start the engine and engage the clutch. The amount of material spread, depends on engine speed and gate opening. Decreasing RPM and/or gate height will decrease amount spread; the inverse holds true also. Notice that the electric clutch can be engaged or disengaged at any time and at any engine RPM. However, since engagement time and torque is almost instantaneous, to prevent premature spinner chain failure and chain tension loss, it is recommended that the electric clutch be engaged at the lowest possible RPM without stalling the engine.

If the truck is to be driven for an extended period of time while the spreader is not operating, it is RECOMMENDED to turn off the gas at the carburetor inlet to prevent the carburetor from over filling with fuel.

Before loading the spreader the first time, start and stop the conveyor several times to break in the clutch.



WARNING

**ALWAYS STAND AT A SAFE DISTANCE AWAY FROM THE SPINNER WHILE OPERATING
ALWAYS WEAR EYE PROTECTION WHEN OUTSIDE OF THE TRUCK CAB WHILE
SPREADER IS RUNNING.**

- B. Spread pattern depends on baffle settings and spinner RPM. Maximum spreader width is 30 ft.
1. Speeding up or slowing down the engine will increase or decrease spread pattern width.
 2. Internal baffle adjustments will move the spread pattern to the right or left.
 3. External baffle adjustments will block spreading to the right or left side.

DESIRED SPREAD PATTERN	BAFFLE SETTING	
	INTERNAL	EXTERNAL
CENTERED BEHIND TRUCK	BOTH DOWN	ALL THREE UP
BEHIND TRUCK AND LEFT	RH - DOWN LH - UP	RH - DOWN LH - UP
BEHIND TRUCK AND RIGHT	RH - UP LH - DOWN	RH - UP LH - DOWN
WINDROW BEHIND TRUCK	RH - DOWN LH - DOWN	ALL - DOWN

4. External Baffles can be lowered to an intermediate position to baffle down the particles that may otherwise leave the spinner at a high trajectory.

INSTALLATION AND INSTRUCTIONAL MANUAL PV SERIES

SPREADER OPERATION

- A. Start the engine and engage the clutch. The amount of material spread, depends on engine speed and gate opening. Decreasing RPM and/or gate height will decrease amount spread; the inverse holds true also. Notice that the electric clutch can be engaged or disengaged at any time and at any engine RPM. However, since engagement time and torque is almost instantaneous, to prevent premature spinner chain failure and chain tension loss, it is recommended that the electric clutch be engaged at the lowest possible RPM without stalling the engine.

If the truck is to be driven for an extended period of time while the spreader is not operating, it is RECOMMENDED to turn off the gas at the carburetor inlet to prevent the carburetor from over filling with fuel.

Before loading the spreader the first time, start and stop the conveyor several times to break in the clutch.



WARNING

**ALWAYS STAND AT A SAFE DISTANCE AWAY FROM THE SPINNER WHILE OPERATING
ALWAYS WEAR EYE PROTECTION WHEN OUTSIDE OF THE TRUCK CAB WHILE
SPREADER IS RUNNING.**

INSTALLATION AND INSTRUCTIONAL MANUAL

PV SERIES

MAINTENANCE



WARNING

DO NOT ATTEMPT TO LIFT THE SPREADER BY THE CENTER LIFT OR CORNER LIFT HOOKS WITH MATERIAL IN THE SPREADER.

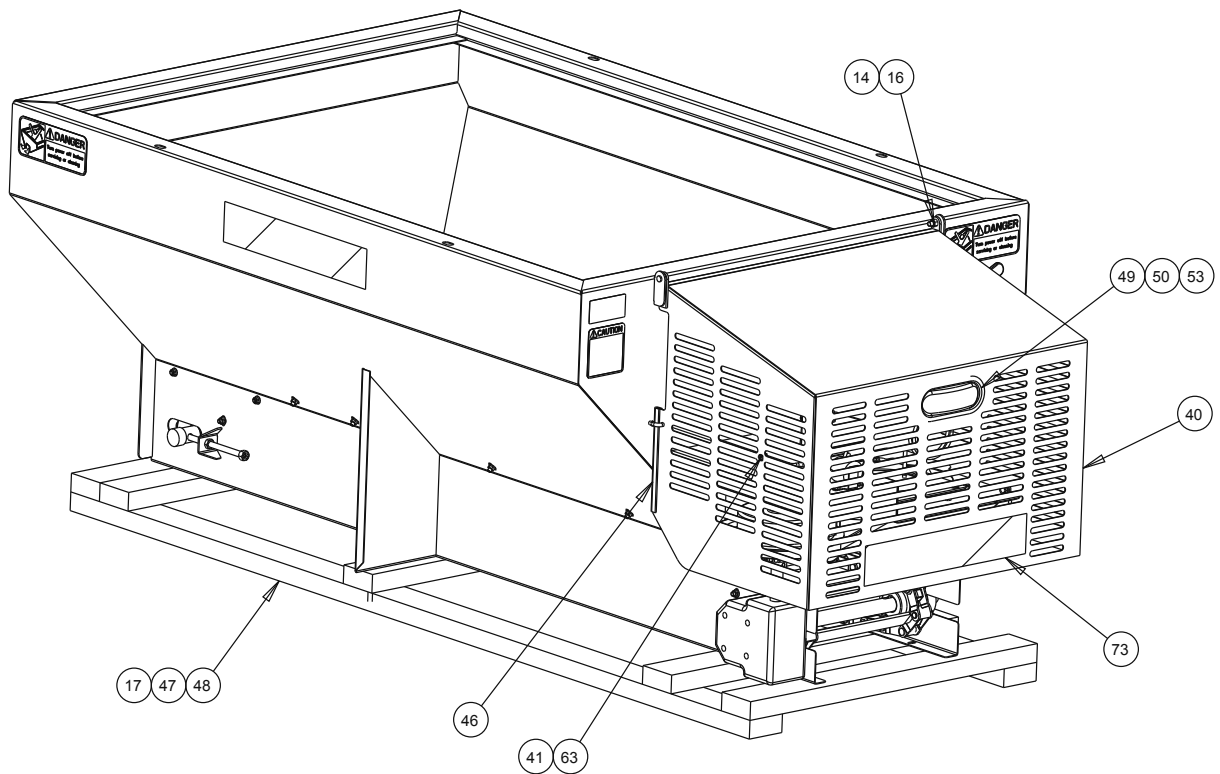
BEFORE BEGINNING ANY MAINTENANCE ON SPREADER, DISCONNECT SPREADER BATTERY LEADS.

1. Grease idler bearings on idler shaft takeup assembly, outboard bearing on gearbox output shaft, and lower spinner bearing every ten hours of operation.
2. Grease input shaft bearing on gearbox every fifty hours of operation. **CAUTION!** Over greasing may cause seal damage. The gearbox must be filled to oil level plug with SAE 90 gear type lubricant. Keep breather plug clean.
3. Drag chain slack on V-boxes should be checked periodically and taken up if distance between center line of rear sprocket and point where chain contacts lower flange on longitudinal is less than eight (8) inches. **CAUTION!** Over tightening conveyor chain can cause serious drive train problems. Above distance must not exceed 20 inches.
4. If the spreader is equipped with a gasoline engine, it should be maintained per engine manufacturer's instruction. (Instructions and parts book is enclosed.)
5. V-belt tension must be maintained. The v-belt can be tightened by loosening engine hold-down bolts and sliding engine as required. **CAUTION!** Over tightening of v-belt may damage gearbox.
6. Roller chain tension must be maintained. It is adjusted by loosening the spinner mounting bearings and sliding the bearings. Make sure the spinner shaft is straight up and down before retightening. Oil chain often and at end of season.
7. When the box is not in use, it should be washed out. If the box is put in storage, all surfaces should be oiled or painted after washing.
8. For HYDRAULIC SPREADERS, maintain oil level three fourths (3/4) full in reservoir with clean high grade non-foaming hydraulic oil; recommended viscosity 100-200 SSU. Operating temperature should be limited to 180°F. Replace filter cartridge No. 62382 (04104 005 00) at least twice a year.
9. If chain becomes stuck or "froze" to the floor to the point where the clutch cannot pull the load, never attempt to free chain using a pipe wrench or any other tool on the output shaft. The gearbox is designed to accept torque from input shaft only. Trying to turn output shaft will strip the gears, thus voiding the warranty.
10. To minimize problems and extend the life of the Electric Clutch, the following is highly recommended.
 - a. Before starting unit, make sure the drag chain is free (not stuck or "froze" to the floor). If the drag chain is stuck, this can cause the clutch to burnup.
 - b. After the using season is over, remove clutch from unit, and clean thoroughly.
 - c. After cleaning, coat both mating surfaces of the clutch with oil or light weight grease.

NOTE: The Oil or Grease must be removed prior to the next using season.

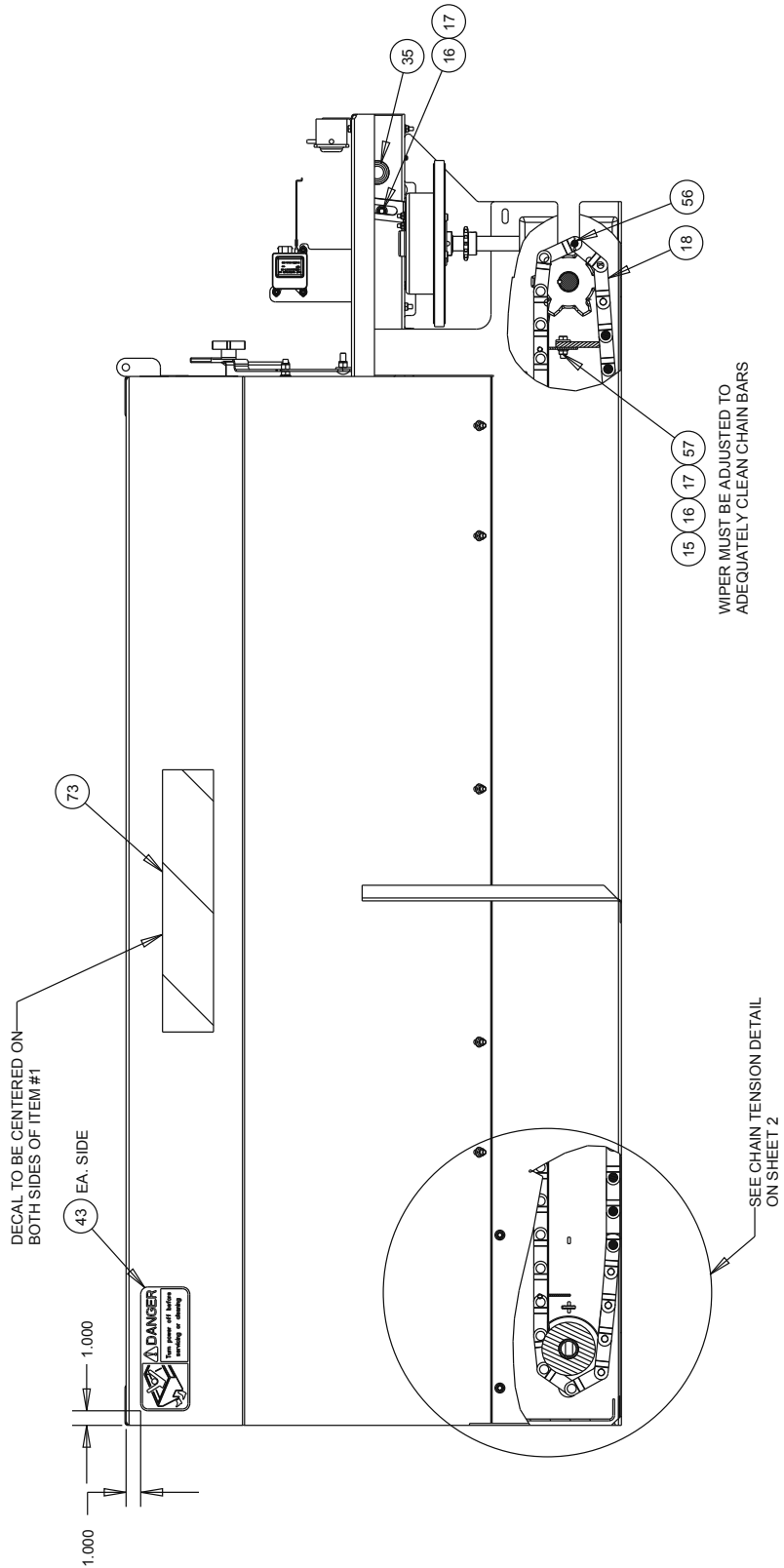
INSTALLATION AND INSTRUCTIONAL MANUAL PV SERIES

BASE LINE PV SERIES



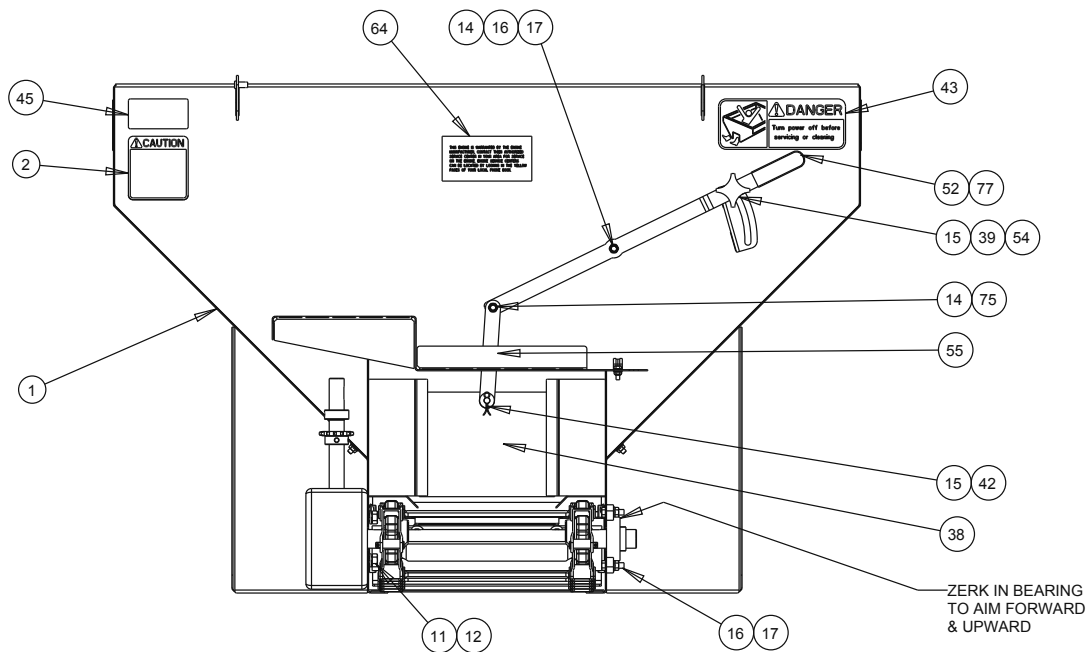
INSTALLATION AND INSTRUCTIONAL MANUAL PV SERIES

BASE LINE PV SERIES



INSTALLATION AND INSTRUCTIONAL MANUAL PV SERIES

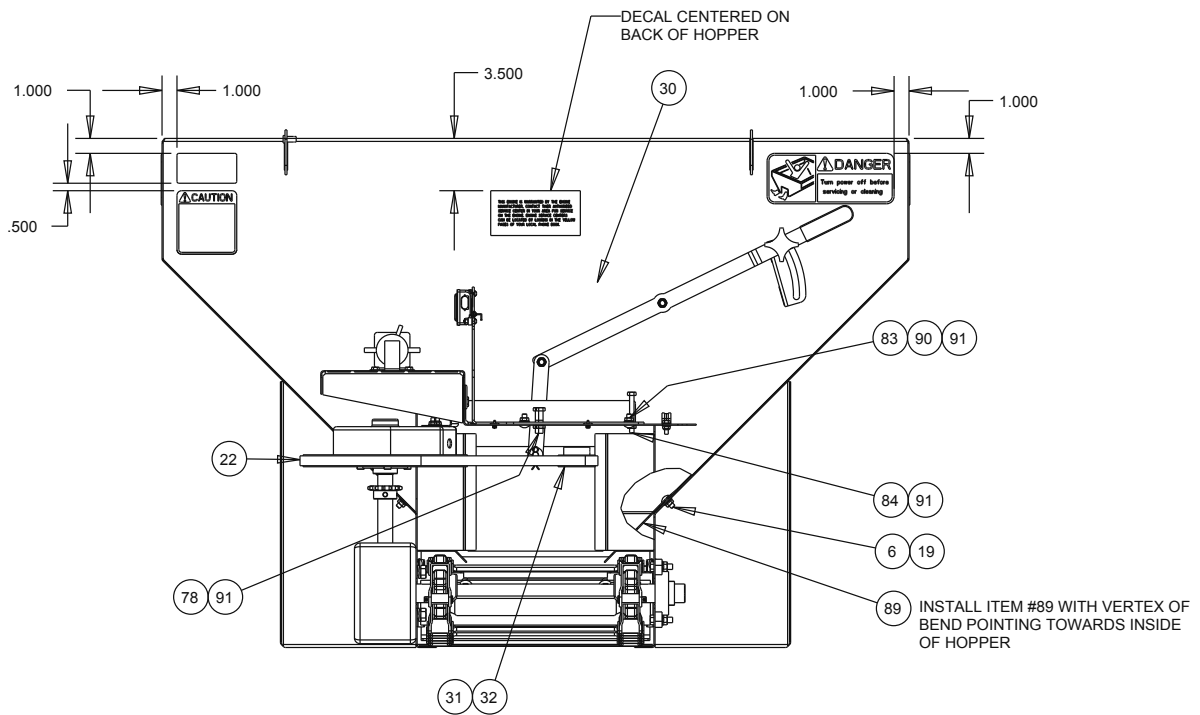
BASE LINE PV SERIES



DETAIL, FEEDGATE,
HANDLE ASSEMBLY
& DECALS

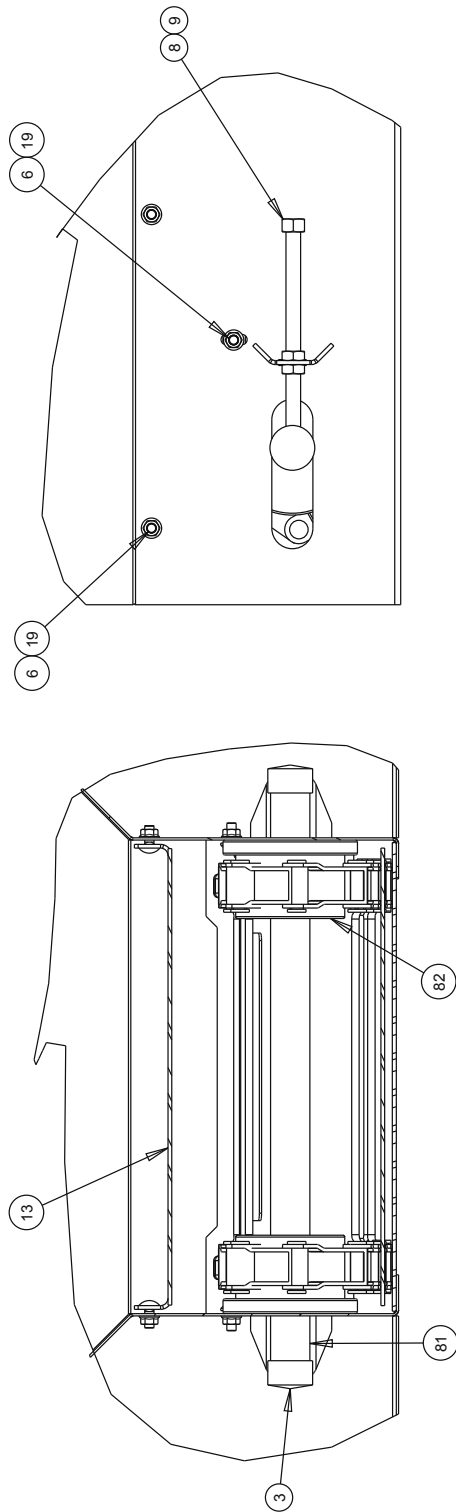
INSTALLATION AND INSTRUCTIONAL MANUAL PV SERIES

BASE LINE PV SERIES



INSTALLATION AND INSTRUCTIONAL MANUAL PV SERIES

BASE LINE PV SERIES

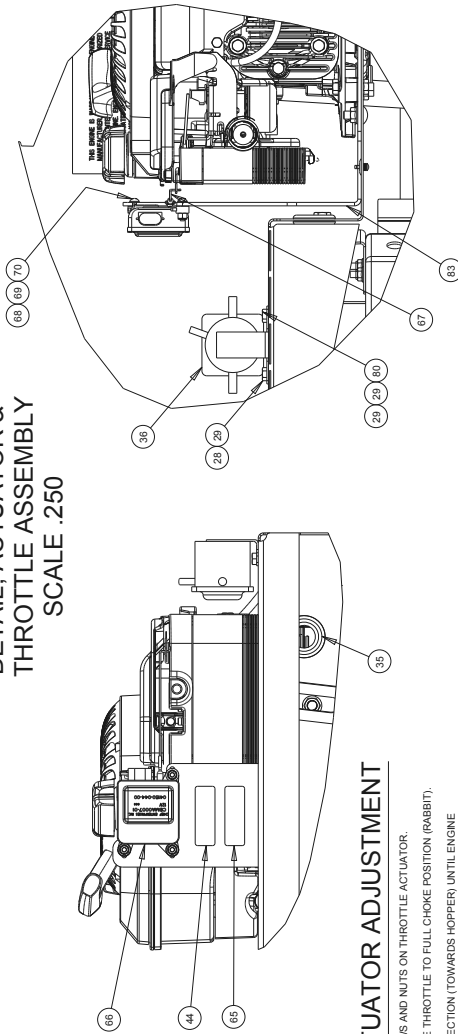


DETAIL, IDLER ASSEMBLY

INSTALLATION AND INSTRUCTIONAL MANUAL PV SERIES

BASE LINE PV SERIES

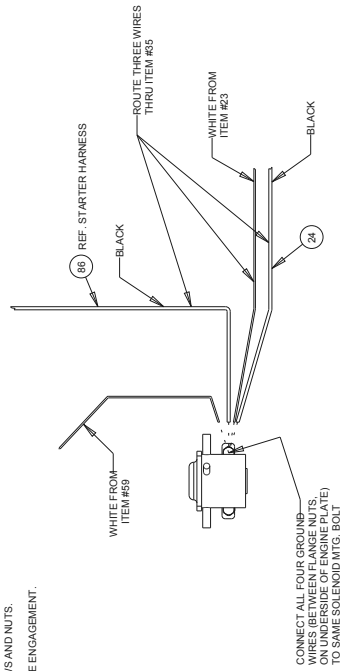
DETAIL, ACTUATOR &
THROTTLE ASSEMBLY
SCALE .250



THROTTLE ACTUATOR ADJUSTMENT

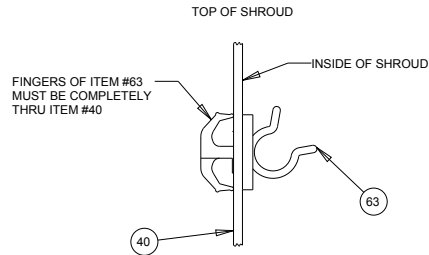
1. LOOSEN THREE MOUNTING SCREWS AND NUTS ON THROTTLE ACTUATOR.
2. USING SPREADER CONTROL, MOVE THROTTLE TO FULL CHOKE POSITION (RABBIT).
3. SLIDE ACTUATOR IN CORRECT DIRECTION (TOWARDS HOPPER UNTIL ENGINE LINKAGE HAS MOVED TO FULL CHOKE. DO NOT PUT EXCESSIVE FORCE ON LINKAGE ROD.
4. TIGHTEN THREE MOUNTING SCREWS AND NUTS.
5. TEST RUN ENGINE FOR FULL CHOKE ENGAGEMENT.

DETAIL, GROUND WIRING
SCALE .250

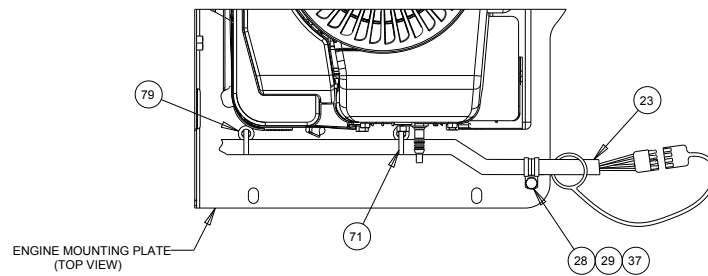


INSTALLATION AND INSTRUCTIONAL MANUAL PV SERIES

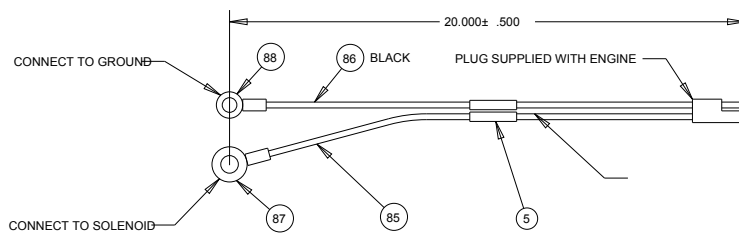
BASE LINE PV SERIES



DETAIL, PROP ROD
CLAMP ASSEMBLY
SCALE 1.125

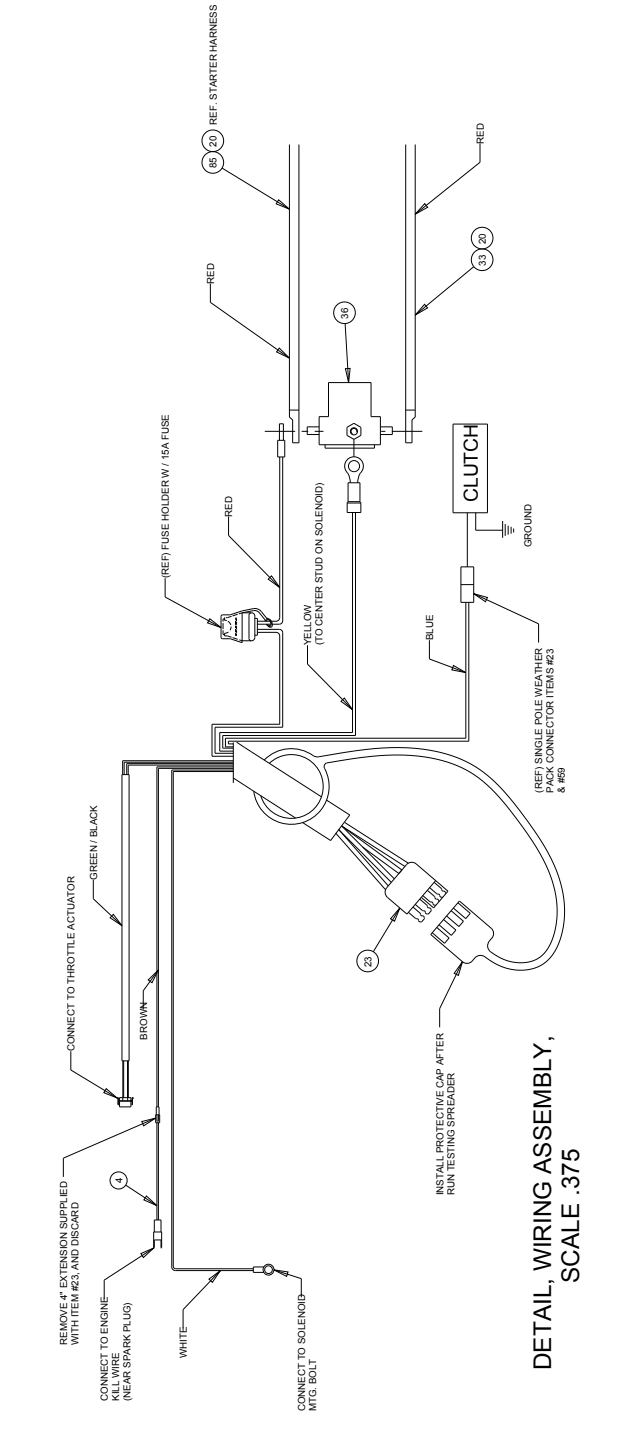


83



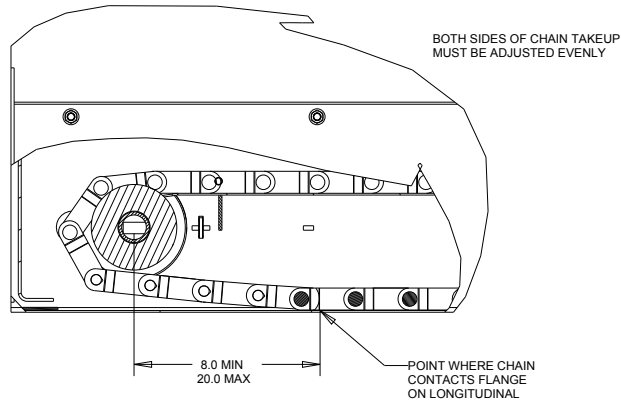
INSTALLATION AND INSTRUCTIONAL MANUAL PV SERIES

BASE LINE PV SERIES



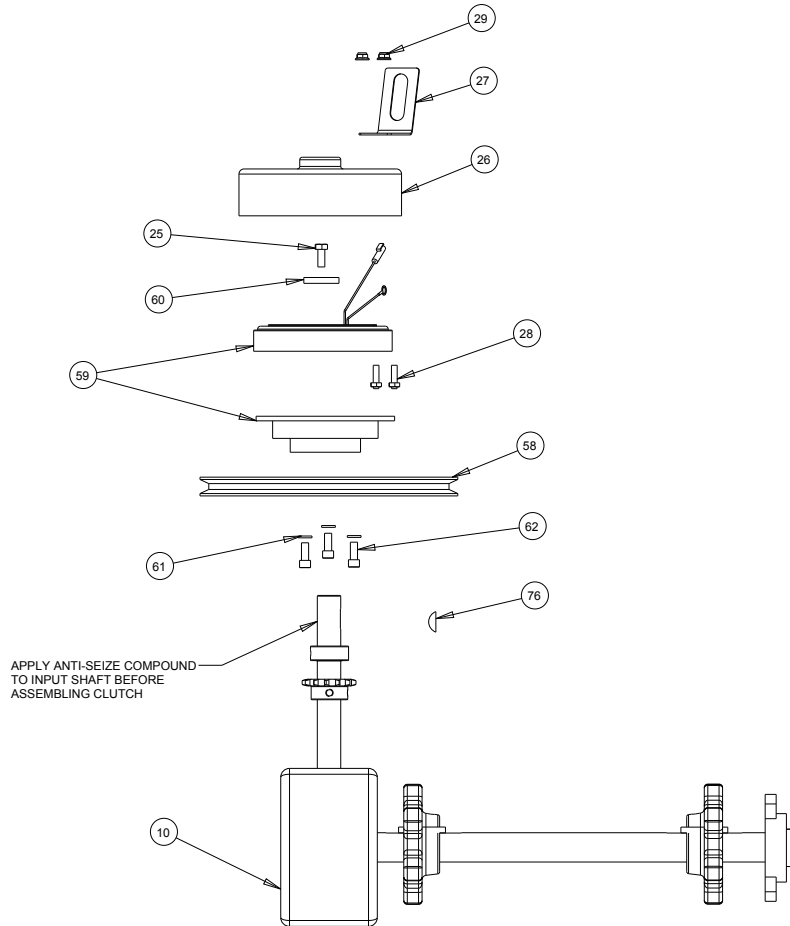
INSTALLATION AND INSTRUCTIONAL MANUAL PV SERIES

BASE LINE PV SERIES



DETAIL, CHAIN TENSION
SCALE 0.250

23



DETAIL, CLUTCH ASSEMBLY
SCALE 0.250

INSTALLATION AND INSTRUCTIONAL MANUAL PV SERIES

BASE LINE PV SERIES

ITEM	PART NUMBER	DESCRIPTION	QTY
29	62690	NUT, 1/4" SER FLANGE	5
28	62189	BOLT, 1/4" X 3/4" HH	4
27	64415	RETAINER, CLUTCH	1
26	62268	COVER, CLUTCH	1
25	62752	BOLT, 5/16 X 3/4 HH	1
24	62944	WIRE, REM. BATT. NEGATIVE	1
23	64086	CABLE, SPREADER CONTROL	1
22	62940	V-BELT, BX-46	1
21	64416	FORM, CONVEYOR FLOOR	1
20	62106	BOOT, ALT CABLE	2
19	62640	BOLT, 5/16 X 3/4 CA	18
18	64244	WELD, DRAG CHAIN	1
17	62743	NUT, 3/8" SER FLANGE	8
16	62695	BOLT, 3/8" X 1 1/4" HH	7
15	63565	FLATWASHER, 3/8"	4
14	62638	LOCKNUT, 3/8" VINYL	3
13	63264	FORM, GUARD, CONVEYOR	1
12	62772	LOCKWASHER, 1/2"	4
11	62750	BOLT, 1/2" X 3/4" HH	4
10	63117	SUB- Y, GEARBOX	1
9	62336	NUT, 1/2" HEX JAM	4
8	62304	WELD, TAKEUP BOLT	2
7	64417	PV SHIPPING CARTON	1
6	62641	NUT, 5/16 SER FLANGE SS	18
5	64418	CONNECTOR, BUTT	2
4	64419	WIRE, BROWN JUMPER 4"	1
3	64064	CAP, IDLER	2
2	62007	DECAL, CAUTION	1
1	64420	WELD, HOPPER 16GA S2	1

INSTALLATION AND INSTRUCTIONAL MANUAL PV SERIES

BASE LINE PV SERIES

ITEM	PART NUMBER	DESCRIPTION	QTY
59	61176	CLUTCH, ELECTRIC	1
58	61161	PULLEY, DRIVEN	1
57	62354	WIPER, CHAIN	1
56	61174	PIN, CONNECTOR W/ COTTER	2
55	62270	BAR, PIVOT	1
54	62746	BOLT, 3/8" X 3/4" CA SS	1
53	62714	LAMP, STOP	1
52	63828	FORM, FEEDGATE HANDLE	1
51	63880	OIL, MOTOR	SEE ENGINE MANUAL
50	62715	GROMMET, MTG.	1
49	62364	CABLE, LIGHT POWER	1
48	62657	BOLT, 3/8" X 4" CA SS	2
47	64413	SKID, PV 6'	1
46	62656	TRIM, VINYL	2
45	62571	DECAL, SERIAL NUMBER	1
44	62768	DECAL, GASOLINE ONLY	1
43	62009	DECAL, DANGER	3
42	62691	PIN, 1/8" X 1" COTTER SS	1
41	61215	ROD, PROP	1
40	64414	WELD, SHROUD	1
39	61169	KNOB, HAND	1
38	66822	WELD, FEEDGATE	1
37	62652	CLAMP, CUSHIONED	1
36	64167	SOLENOID	1
35	62765	GROMMET	1
33	62943	WIRE, REM. BATT. POS.	1
32	62938	PULLEY, DRIVER	1
31	64203	KEY, 3/16" X 1" SQ	1
30	64245	ENGINE, 190CC B&S QUANTUM	1

INSTALLATION AND INSTRUCTIONAL MANUAL PV SERIES

BASE LINE PV SERIES

ITEM	PART NUMBER	DESCRIPTION	QTY
79	64411	HOLDER, NYLON TIE	2
78	62273	BOLT, 5/16" X 1 1/2" HH	2
77	64164	COVER, FEEDGATE HANDLE	1
76	61201	KEY, WOODRUFF	1
75	62813	BOLT, 3/8" X 1 1/4" CA	1
74	00108-760-01	P, INSTR. MANUAL	1
73	63156	DECAL, BRAND Meyer	
72	64412	P, SPINNER PV INT.	1
71	62183	TIE, NYLON	5
70	62650	LOCKNUT, 8-32 VINYL SS	3
69	62651	FLATWASHER, #8 SS	3
68	62649	SCREW, 8-32 X 3/4" PR SS	3
67	62720	LINKAGE, HONDA THROTTLE	1
66	63165	ACTUATOR, 12V	1
65	62643	DECAL, FUEL SHUT OFF	1
64	62644	DECAL, ENGINE WARRANTY	1
63	62725	CLAMP, PROP ROD	1
62	62634	SCREW, 5/16" X 5/8" SH CAP	3
61	63009	LOCKWASHER, 5/16"	3
60	63103	FLATWASHER, CLUTCH RETAINER	1

INSTALLATION AND INSTRUCTIONAL MANUAL PV SERIES

BASE LINE PV SERIES

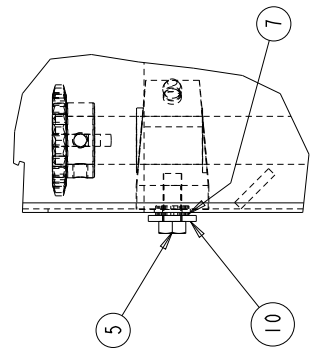
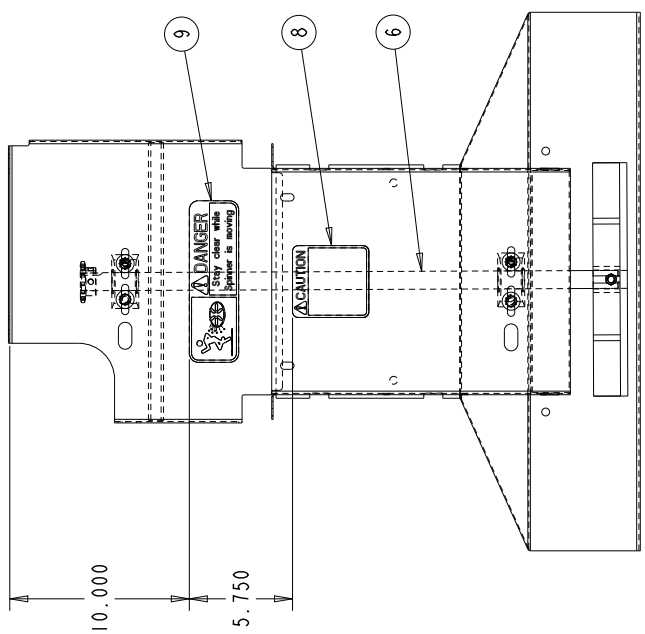
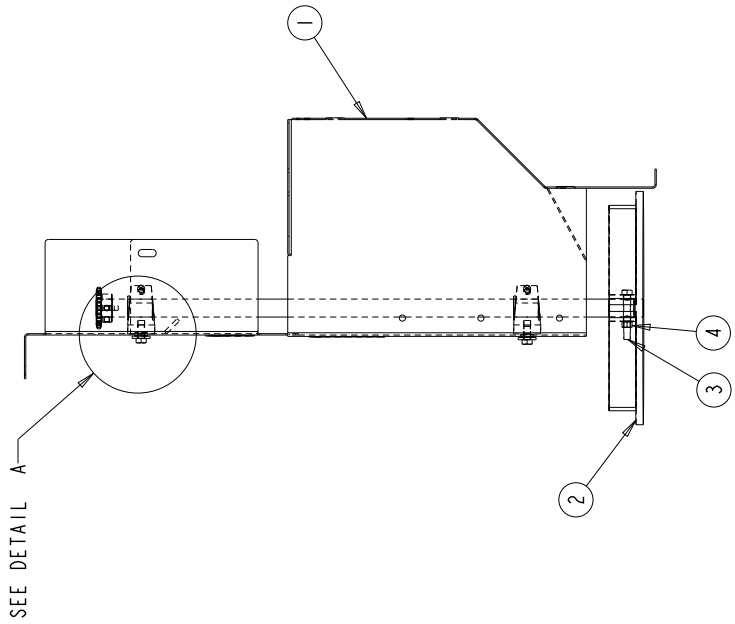
ITEM	PART NUMBER	DESCRIPTION	QTY
91	63310	NUT, 5/16" SER FLANGE	7
90	63305	BOLT, 5/16" X 3/4" CA	4
89	64405	FORM, CHAINSHIELD	2
88	64406	TERMINAL, 1/4" RING	1
87	64407	TERMINAL, 5/16" RING	1
86	64408	WIRE, 12 GA BLACK	0.75
85	64409	WIRE, 12 GA. RED	0.75
84	63249	BOLT, 5/16" X 2 1/2" HH	1
83	64410	ADAPTER, ENGINE	1
82	64063	ROLLER, POLY	2
81	64062	SHAFT, IDLER	1
80	63586	BOLT, 1/4" X 1" HH	1

ITEMS NOT SHOWN

ITEM	PART NUMBER	DESCRIPTION	QTY
7	64417	PV SHIPPING CARTON	1
44	62768	DECAL, GASOLINE ONLY	1
51	63880	OIL, MOTOR	SEE ENGINE MANUAL
65	62643	DECAL, FUEL SHUT OFF	1
72	64412	P, SPINNER PV INT.	1
74	00108-760-01	INSTR. MANUAL	1

INSTALLATION AND INSTRUCTIONAL MANUAL PV SERIES

BASE LINE PV SERIES



DETAIL A
SCALE 0.500

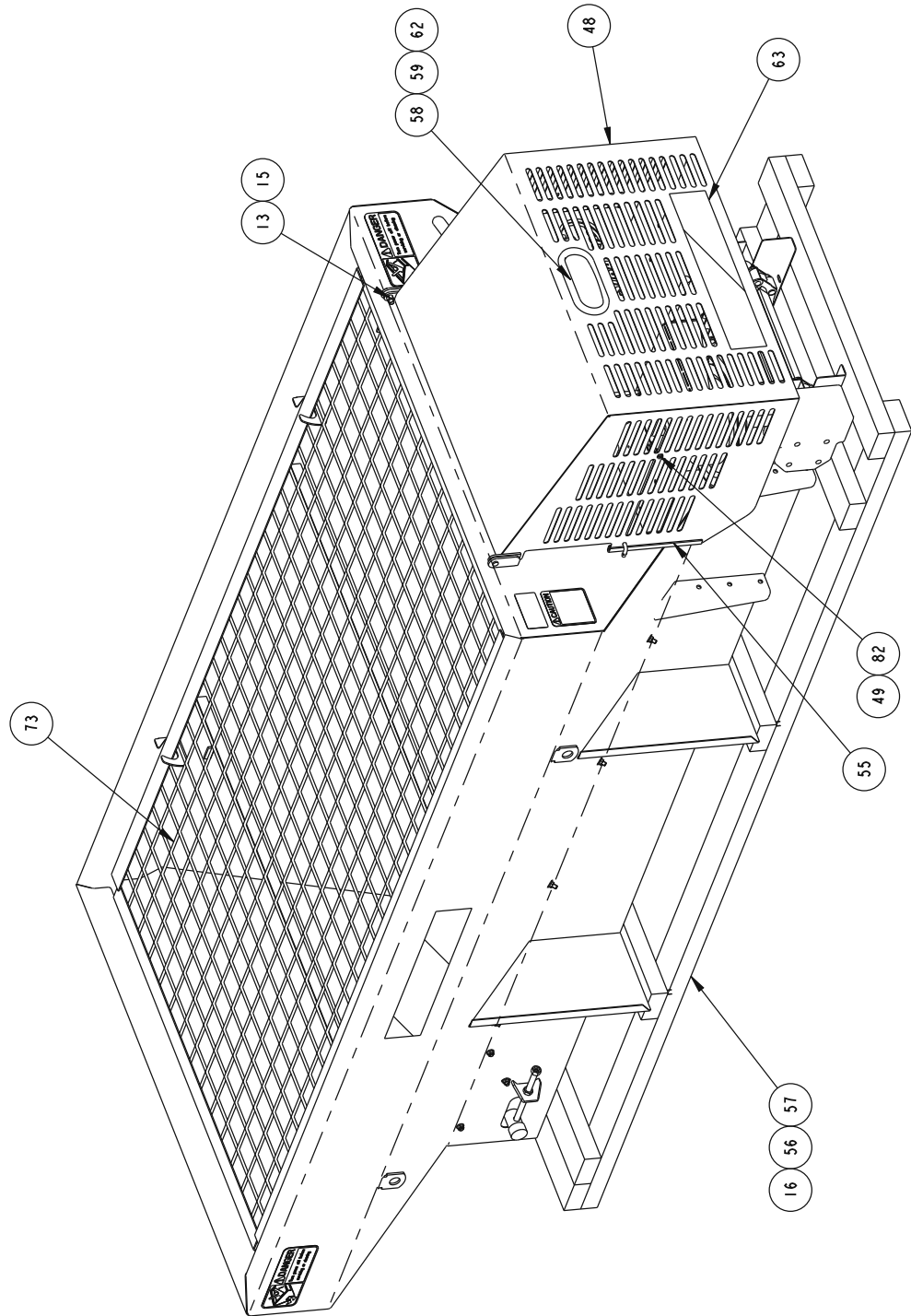
INSTALLATION AND INSTRUCTIONAL MANUAL PV SERIES

BASE LINE PV SERIES

ITEM	PART NUMBER	DESCRIPTION	QTY
10	22230	FLATWASHER, 3/8" U.S.S. SS	4
9	62006	DECAL, DANGER	1
8	62007	DECAL, CAUTION	1
7	62685	LOCKWASHER 3/8 INT/EXT TOOTH	8
6	63406	Y, SPINNER SHAFT	1
5	63205	BOLT, 3/8-16 X 3/4" SS	4
4	63199	LOCKNUT, 3/8-16 TOP LOCK SS	1
3	63198	BOLT, 3/8-16 X 2 1/2" SS	1
2	62146	DISC., POLY SPINNER	1
1	64446	WELD, SPINNER FRAME	1

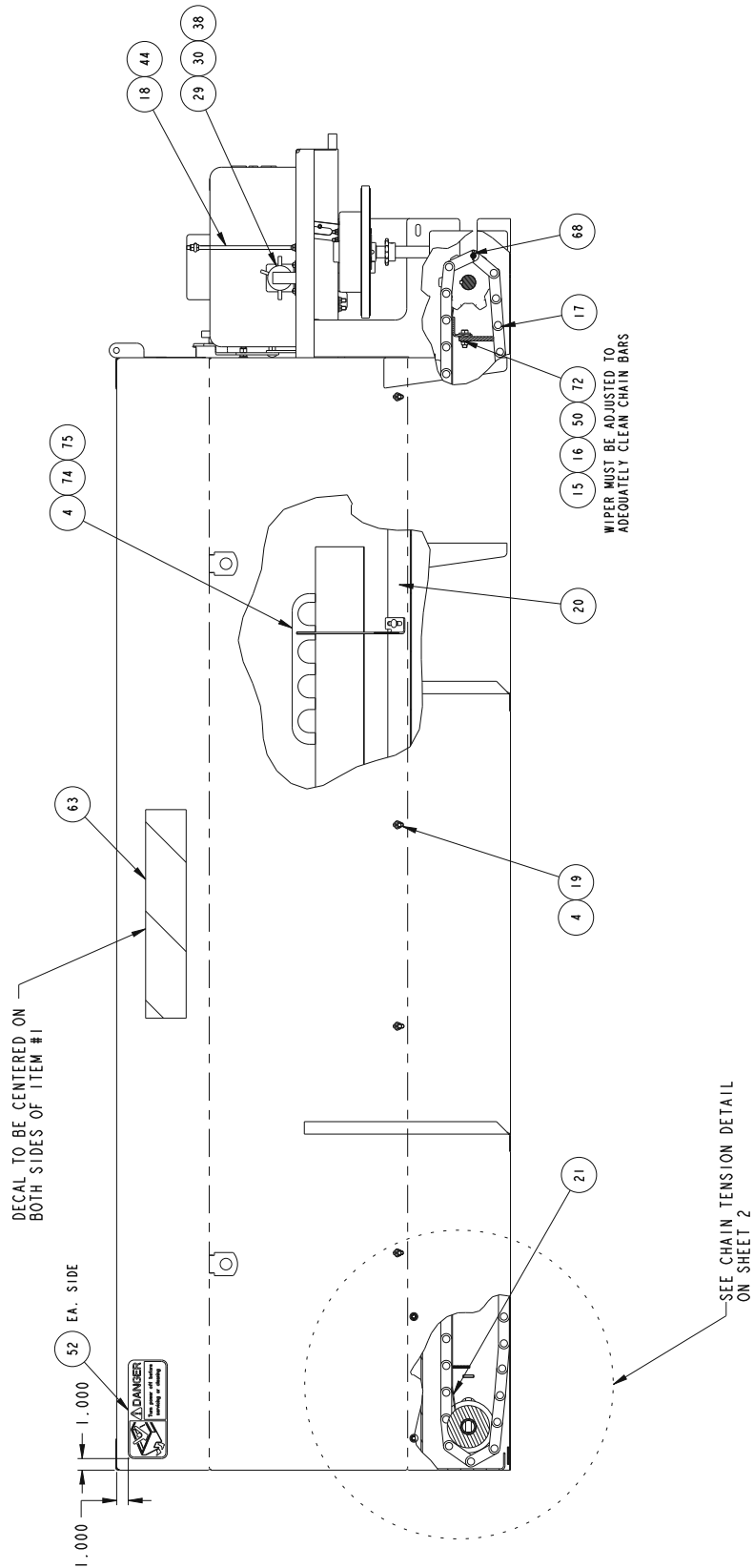
INSTALLATION AND INSTRUCTIONAL MANUAL PV SERIES

STANDARD PV MODEL



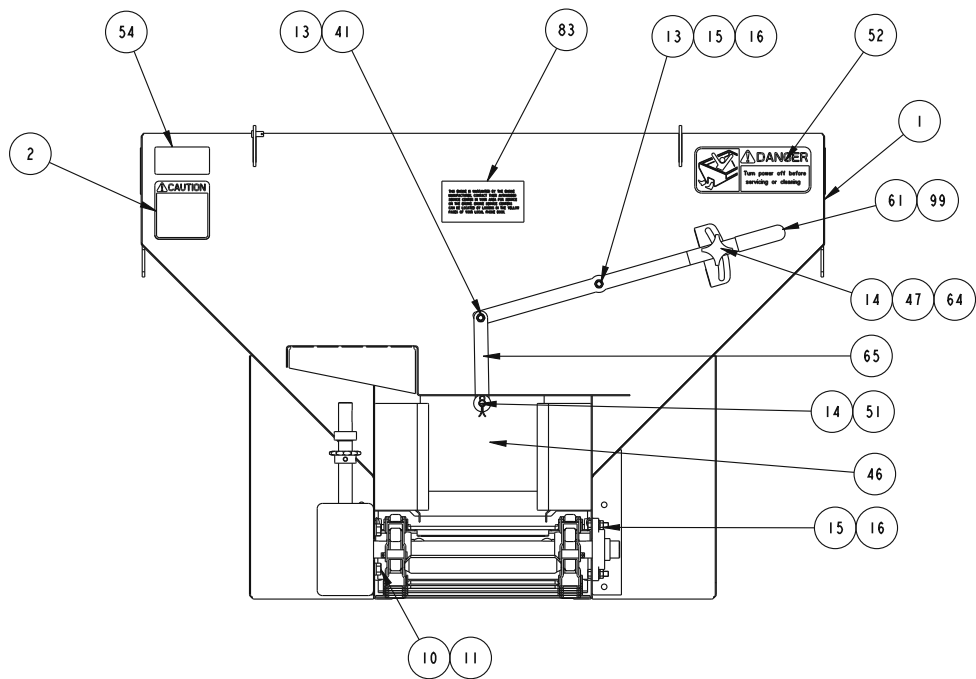
INSTALLATION AND INSTRUCTIONAL MANUAL PV SERIES

STANDARD PV MODEL



INSTALLATION AND INSTRUCTIONAL MANUAL PV SERIES

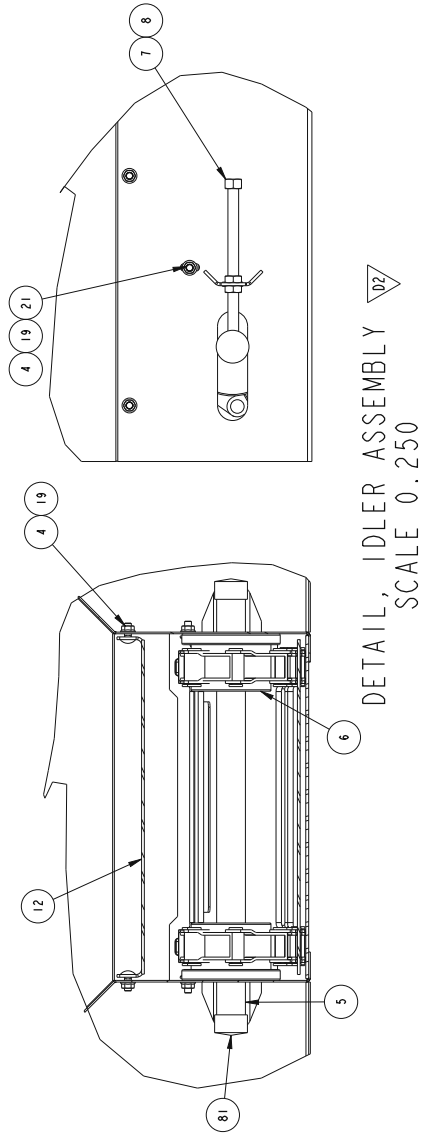
STANDARD PV MODEL



DETAIL, FEEDGATE,
HANDLE ASSEMBLY
& DECALS

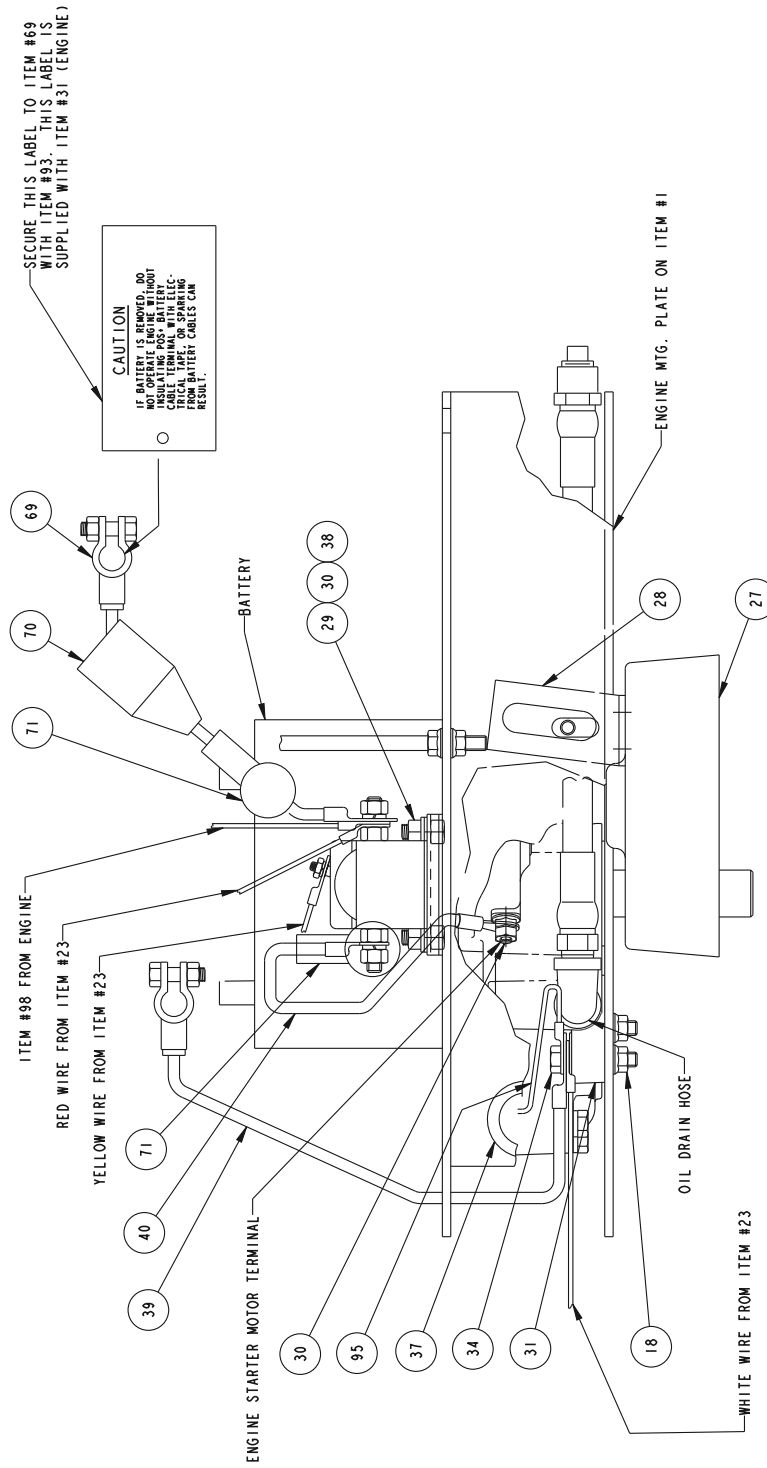
INSTALLATION AND INSTRUCTIONAL MANUAL PV SERIES

STANDARD PV MODEL



INSTALLATION AND INSTRUCTIONAL MANUAL PV SERIES

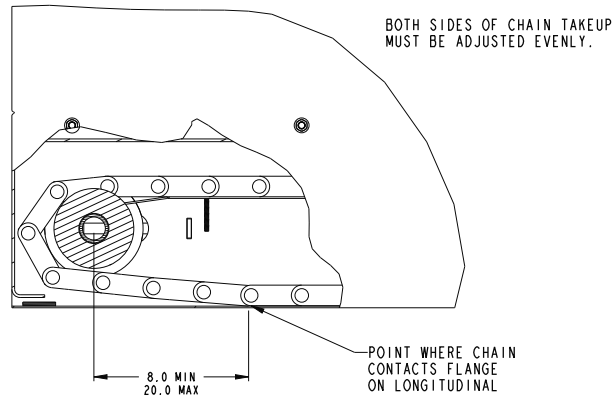
STANDARD PV MODEL



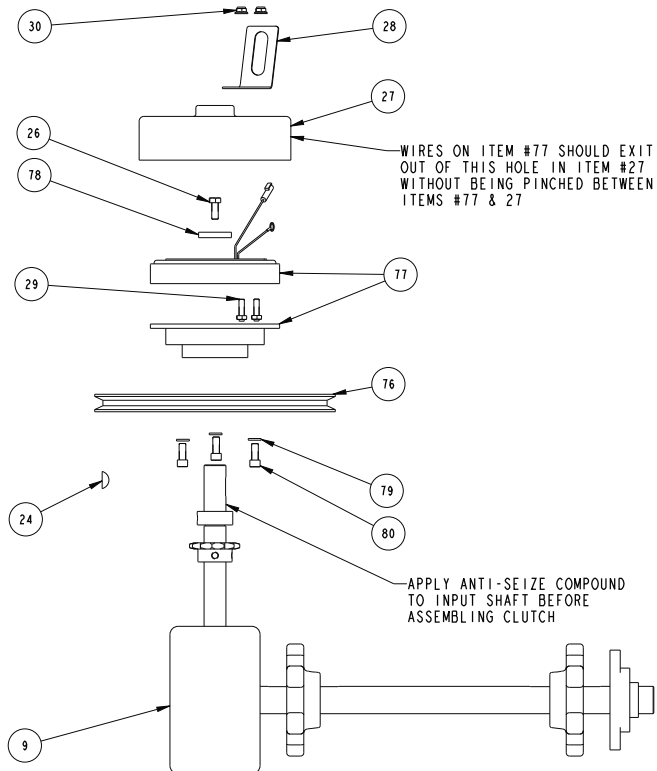
DETAIL, WIRING ASSEMBLY

INSTALLATION AND INSTRUCTIONAL MANUAL PV SERIES

STANDARD PV MODEL



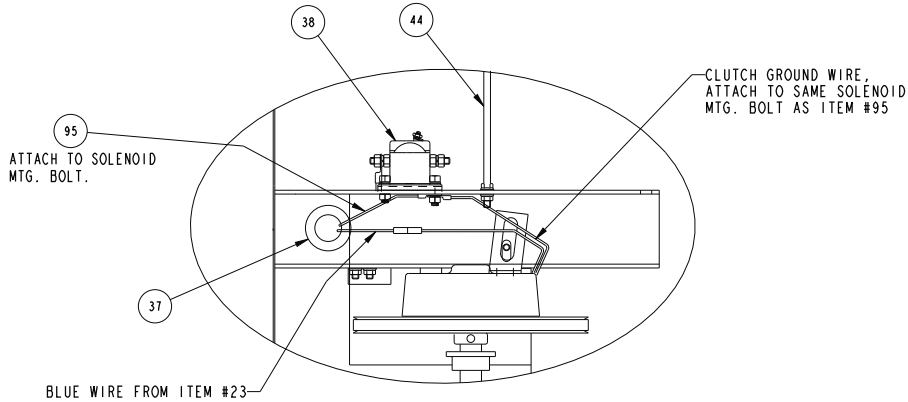
DETAIL, CHAIN TENSION
SCALE 0.250



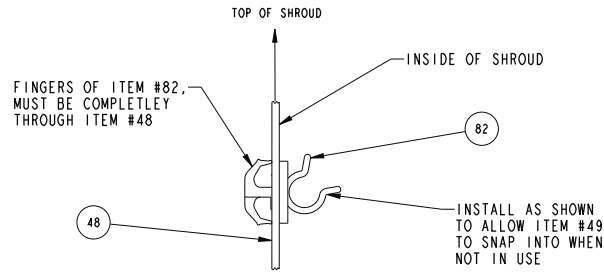
DETAIL, CLUTCH ASSEMBLY
SCALE 0.250

INSTALLATION AND INSTRUCTIONAL MANUAL PV SERIES

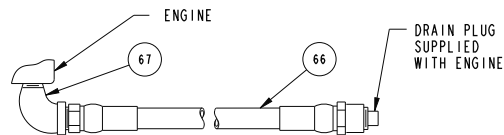
STANDARD PV MODEL



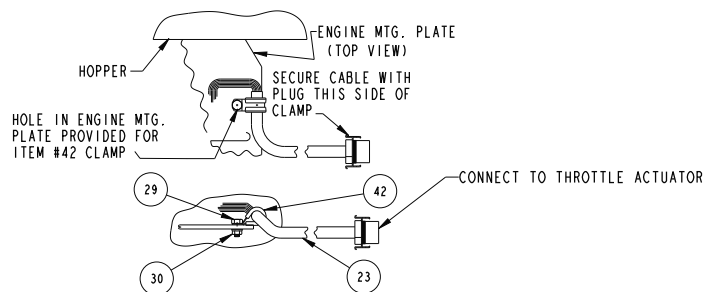
DETAIL,
CLUTCH WIRING
SCALE 0.500



DETAIL, PROP ROD
CLAMP ASSEMBLY
SCALE 1.125



DETAIL, DRAIN
HOSE ASSEMBLY
SCALE 0.250



DETAIL,
CABLE CLAMP

INSTALLATION AND INSTRUCTIONAL MANUAL PV SERIES

STANDARD PV MODEL

ITEM	PART NUMBER	DESCRIPTION	QTY
31	64066	ENGINE, 10.5 HP B & S W / VR	1
	63171	ENGINE, HONDA W/DECALS	
30	62187	NUT, 1/4-20 SER FLANGE	5
	62690	NUT, 1/4-20 SER FLANGE ss	
29	20003	BOLT, 1/4-20 X 3/4 HH	5
	62189	BOLT, 1/4-20 X 3/4 HH ss	
28	61167	RETAINER, CLUTCH	1
	64399	RETAINER, CLUTCH s3	
27	61168	COVER, CLUTCH	1
26	62763	BOLT, 5/16-18 X 3/4 HH	1
	62752	BOLT, 5/16-18 X 3/4 HH ss	
25	64401	A, WIRELESS REMOTE PV	1
24	61201	KEY, WOODRUFF 1/4 X 7/8	1
23	64086	CABLE, SPREADER CONTROL	1
22	61162	V-BELT, BX-48	1
21	SEE PARTS TABLE	FORM, FLOOR PV	1
20	SEE PARTS TABLE	CHAINSHIELD, PV	2
19	63305	BOLT, 5/16-18 X 3/4 CA	14
	62640	BOLT, 5/16-18 X 3/4 CA ss	
18	63304	NUT, 5/16-18 SER FLANGE	10
	62641	NUT, 5/16-18 SER FLANGE ss	
17	SEE PARTS TABLE	WELD, DRAG CHAIN	1
16	62611	NUT, 3/8-16 SER FLANGE	9
	62743	NUT, 3/8-16 SER FLANGE ss	
15	20066	BOLT, 3/8-16 X 1 1/4 HH	6
	62695	BOLT, 3/8-16 X 1 1/4 HH ss	
14	63409	FLATWASHER, 3/8"SS	2
13	20305	LOCKNUT, 3/8-16 NYLON	3
	63348	LOCKNUT, 3/8-16 NYLON ss	
12	63264	FORMING, GUARD, CONVEYOR, PV	1
11	20329	LOCKWASHER, 1/2" MED SPLIT	4
	62270	LOCKWASHER, 1/2" MED SPLIT ss	
10	62617	BOLT, 1/2-13 X 3/4	4
	62750	BOLT, 1/2-13 X 3/4 ss	
9	63117	SUB-ASSEMBLY GEARBOX	1
8	62408	NUT, 1/2-13 HEX JAM	4
	62336	NUT, 1/2-13 HEX JAM ss	
7	62304	WELD, TAKE UP BOLT	2
6	64063	ROLLER, POLY	2
5	64062	SHAFT, IDLER	1
4	62641	NUT, 5/16-18 SER FLANGE SS	13
3	62628	LOCKNUT, 5/16-18 NYLON	3
	63301	LOCKNUT, 5/16-18 NYLON ss	
2	62007	DECAL, CAUTION	1
1	SEE PARTS TABLE	WELD, PV 50" HOPPER	1

INSTALLATION AND INSTRUCTIONAL MANUAL PV SERIES

STANDARD PV MODEL

ITEM	PART NUMBER	DESCRIPTION	QTY
61	63828	FORM, HANDLE FEEDGATE	1
	64388	FORM, HANDLE FEEDGATE s3	
	63828	FORM, HANDLE FEEDGATE s2	
60	63880	OIL, 5W30 MOTOR	SEE ENGINE MANUAL
59	62715	GROMMET, MTG	1
58	62364	CABLE, LIGHT POWER	1
57	62657	BOLT, 3/8-16 X 4" CA	4
55	62656	TRIM, VINYL	2
54	63295	DECAL, SERIAL NUMBER (Meyer)	
53	62768	DECAL, GASOLINE ONLY	1
52	62009	DECAL, DANGER	3
51	62691	PIN, 1/8" X 1" COTTER SS	1
50	20353	FLATWASHER, 3/8"	2
	22230	FLATWASHER, 3/8" SS	
49	61215	ROD, PROP	1
48	63017	WELD, SHROUD 14G PV	1
	63021	WELD, SHROUD 14G PV S2	
	64402	WELD, SHROUD 14G PV S3	
47	61169	KNOB, HAND	1
46	62281	WELD, FEEDGATE 7G	1
	62282	WELD, FEEDGATE 7G S3	
	63822	WELD, FEEDGATE 7G S2	
45	62767	DOWN, HOLD	1
44	61206	ROD, BATTERY	2
43		P, INSTR MANUAL PV	1
42	62652	CLAMP, CUSHIONED 1/2"	1
41	62615	BOLT, 3/8-16 X 1 1/4 CA	1
	64403	BOLT, 3/8-16 X 1 1/4 CA SS	
40	61213	CABLE, STARTER, 9", 6GA. RED	1
39	62040	CABLE, BATTERY BLACK	1
38	61179	SOLENOID, GROUNDED	1
37	62765	GROMMET 7/8 X 1 5/8"	1
36	20352	FLATWASHER, 5/16	2
	63173	FLATWASHER, 5/16 SS	
35	61205	BOLT, L	1
34	62764	BOLT, 5/16-18 X 1 1/2 HH	3
	62773	BOLT, 5/16-18 X 1 1/2 HH SS	
33	61177	PULLEY, DRIVER	1
32	61196	KEY, 1/4" SQ X 1"	1

INSTALLATION AND INSTRUCTIONAL MANUAL PV SERIES

STANDARD PV MODEL

ITEM	PART NUMBER	DESCRIPTION	QTY
99	64164	COVER, FEEDGATE HANDLE	1
98	64084	HARNESS, B & S W / CAPACITOR	1
97	63843	A, LIFT REAR FORKLIFT PV	1
95	63131	ASSY, GROUND WIRE	1
94	SEE PARTS TABLE	P, ASSY SPNR 14 GA	1
93	62183	TIE, NYLON 5 1/2" STD	5
92	62803	INSTR. PACKAGE B & S	1
	62804	INSTR. PACKAGE HONDA	
91	62650	LOCKNUT, 8-32 NYLON SS	3
90	62651	FLATWASHER, #8	3
89	62649	SCREW, 8-32 X 3/4" SS	3
88	62645	BRACKET, ACTUATOR	1
87	62648	LINKAGE, THROTTLE	1
86	63165	ACTUATOR, 12V	1
85	62646	SCREW, 10-32 X 5/16 PPH ZP	2
84	62643	DECAL, FUEL SHUT OFF	1
83	62644	DECAL, ENGINE WARRANTY	1
82	62725	CLAMP, PROP ROD	1
81	64064	CAP, IDLER	2
80	62634	5/16 X 5/8 SH CAP	3
79	20326	LOCKWASHER, 5/16 MED SPLIT	3
	63309	LOCKWASHER, 5/16 MED SPLIT ss	
78	63103	WASHER, CLUTCH RET	1
77	61167	CLUTCH, ELECTRIC	1
76	61161	PULLEY, DRIVEN	1
75	63175	BOLT, 5/16 X 1 CA SS	4
74	SEE PARTS TABLE	WELD, INV. VEE	1
73	SEE PARTS TABLE	WELD, SCREEN	1
72	62345	WIPER, CHAIN	1
71	62106	BOOT, ALT CABLE	3
70	63125	BOOT, BATT CABLE	1
69	63130	CABLE, BATTERY RED	1
68	61174	PIN, CONNECTOR W/ COTTER PIN	2
67	62937	ELBOW, 3/8" 90 DEG	1
66	62633	HOSE, 3/8" X 13"	1
65	62270	BAR, PIVOT	1
	64404	BAR, PIVOT s3	
	63817	BAR, PIVOT s2	
64	62746	BOLT, 3/8-16 X 3/4 CA SS	1
63	63156	DECAL, LOGO (Meyer)	
62	62714	LAMP, STOP CHM	1

INSTALLATION AND INSTRUCTIONAL MANUAL PV SERIES

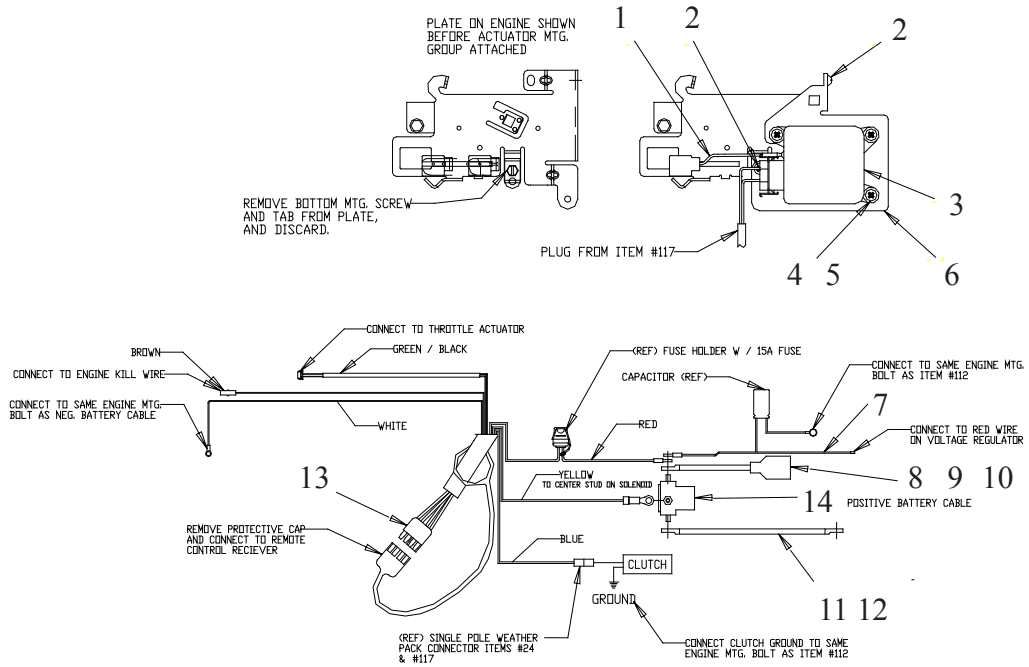
STANDARD PV MODEL ITEMS NOT SHOWN

ITEM	PART NUMBER	DESCRIPTION	QTY
25	64401	A, WIRELESS REMOTE PV	1
43	00108-760-01	P, INSTR MANUAL PV	1
53	62768	DECAL, GASOLINE ONLY	1
60	63880	OIL, 5W30 MOTOR	SEE ENGINE MANUAL
84	62643	DECAL, FUEL SHUT OFF	1
92	62803	INSTR. PACKAGE B & S	1
	62804	INSTR. PACKAGE HONDA	
94	SEE PARTS TABLE	P, ASSY SPNR 14 GA	1

INSTALLATION AND INSTRUCTIONAL MANUAL PV SERIES

DETAIL, WIRING & THROTTLE ASSEMBLY

BRIGGS & STRATTON ACTUATOR

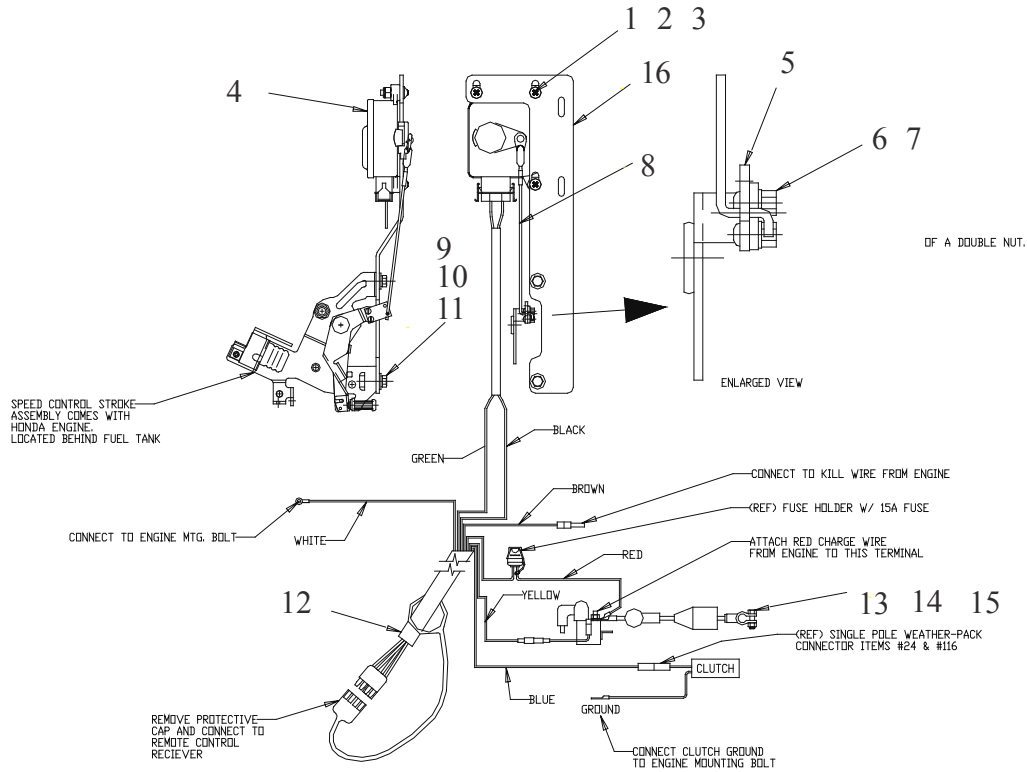


ITEM	PART NUMBER	DESCRIPTION	QTY.
1	62720	LINKAGE,THROTTLE	1
2	62646	SCREW,#10-32x5/16"PPHMACHINE	2
3	62721	ASSEMBLY,ACTUATOR	1
4	62649	SCREW,#8-32X3/4"PHILRDSS	3
5	62650	LOCKNUT,#8-32NYLINSSS	3
6	62718	BRACKET,ACTUATOR,	1
7	64084	HARNES,B&SW/CAPACITOR	1
8	63130	CABLE,BATTERY-RED	1
9	63125	BOOT,BATTERYCABLESTRAIGHT	1
10	64087	BOOT,ALT.CABLE	1
11	64085	CABLE,STARTER14"6GARED	1
12	62107	BOOT,ALT.CABLE	1
13	64086	CABLE,CONTROLSPREADER	1
14	64167	SOLENOID,GROUNDED	1

INSTALLATION AND INSTRUCTIONAL MANUAL PV SERIES

DETAIL, WIRING & THROTTLE ASSEMBLY

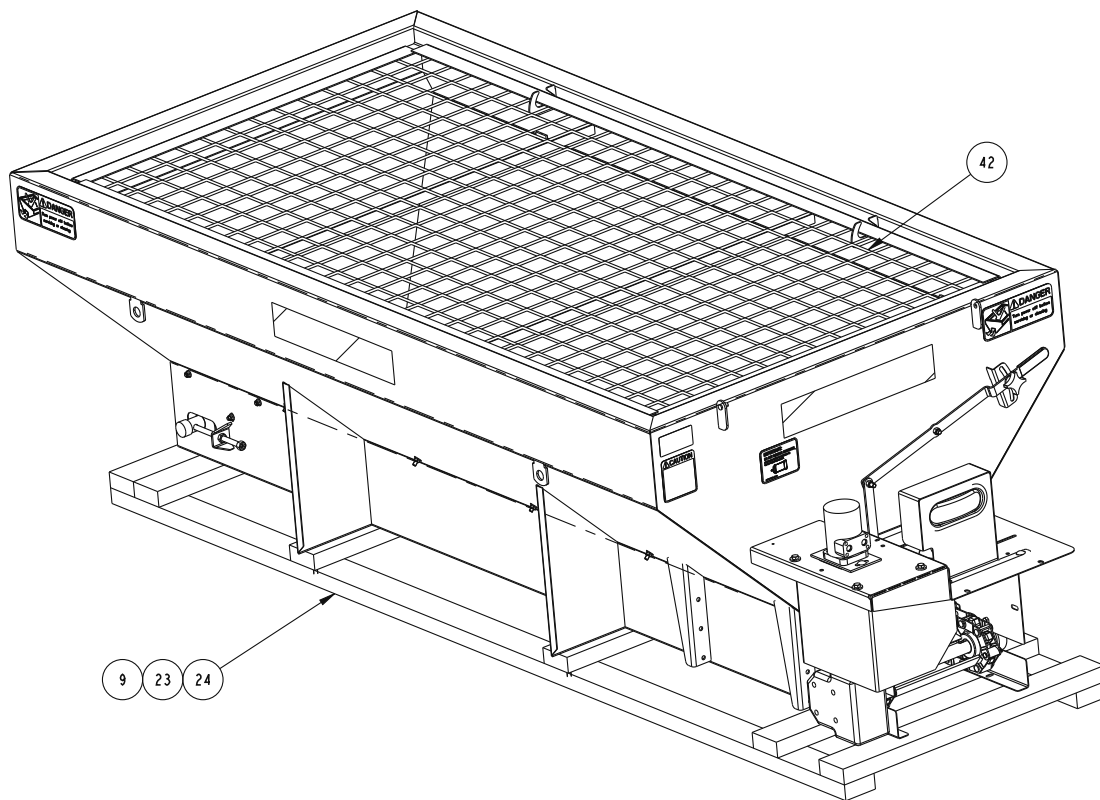
HONDA ACTUATOR



ITEM	PART NUMBER	DESCRIPTION	QTY.
1	62649	SCREW, #8-32 X 3/4" PHIL RD SS	3
2	62650	LOCKNUT, #8-32 NYL INS SS	3
3	64088	FLATWASHER,	3
4	62721	ASSEMBLY, ACTUATOR	1
5	62719	LEVER, EXTENSION	1
6	63122	LOCKNUT 2-56 NYLON SS	1
7	631211	SCREW, 2-56 X 3/8" SS	1
8	62720	LINKAGE, THROTTLE	1
9	62799	BOLT, M5-25 SS	1
10	62800	LOCKWASHER, #10 SS	2
11	62801	FLATWASHER, #10 SS	1
12	64086	CABLE, CONTROL SPREADER	1
13	63130	CABLE, BATTERY - RED	1
14	63125	BOOT, BATTERY CABLE STRAIGHT	1
15	64087	BOOT, ALT. CABLE	1
16	62718	BRACKET, ACTUATOR	1

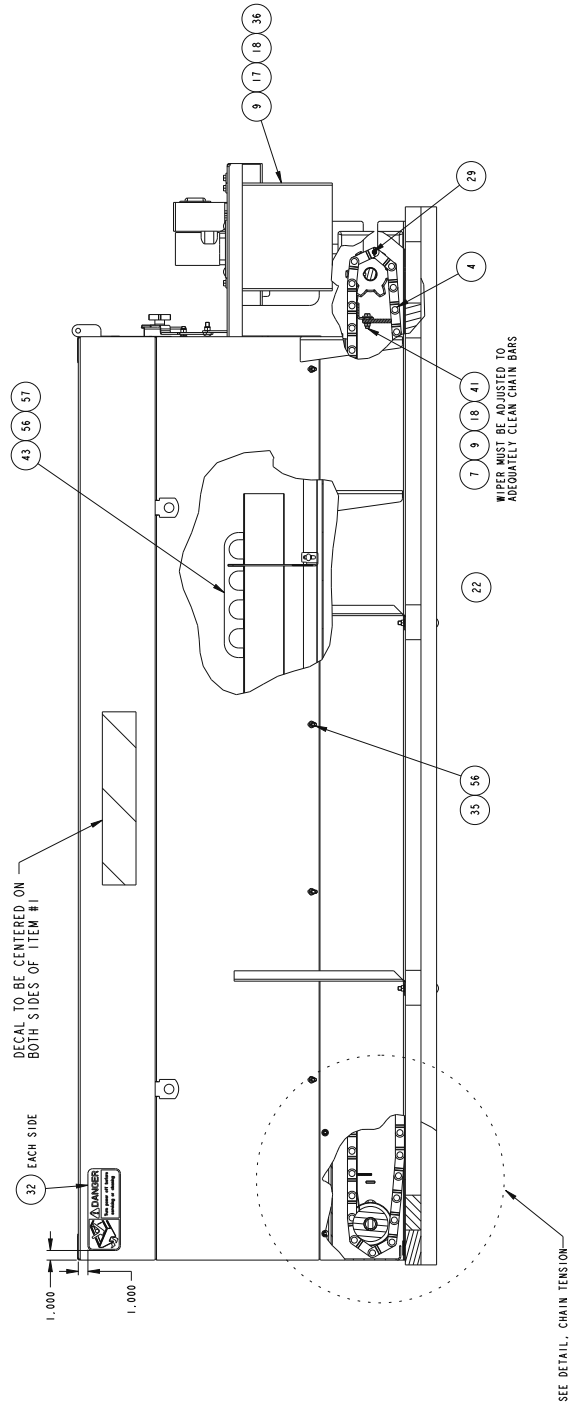
INSTALLATION AND INSTRUCTIONAL MANUAL PV SERIES

HYDRAULIC PV MODEL



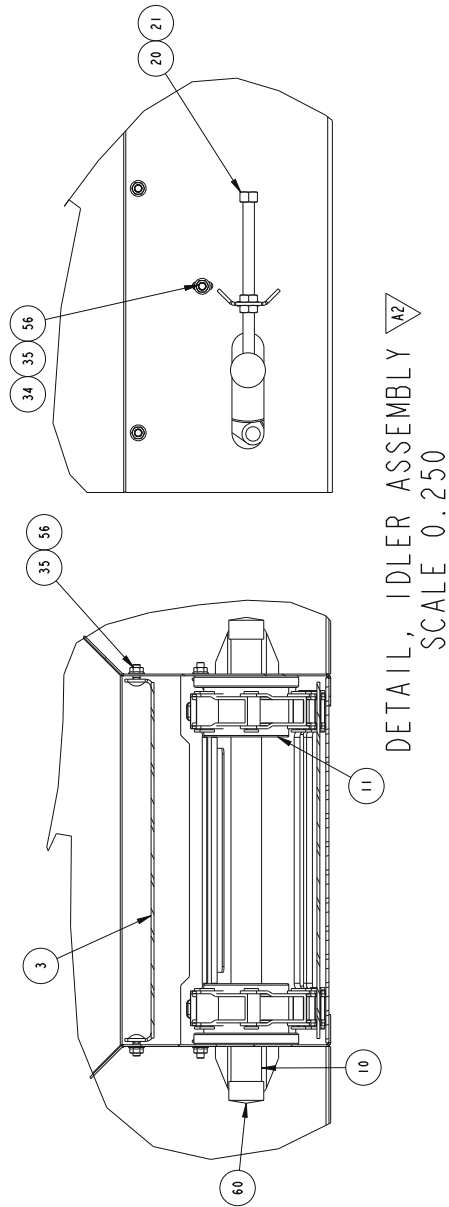
INSTALLATION AND INSTRUCTIONAL MANUAL PV SERIES

HYDRAULIC PV MODEL



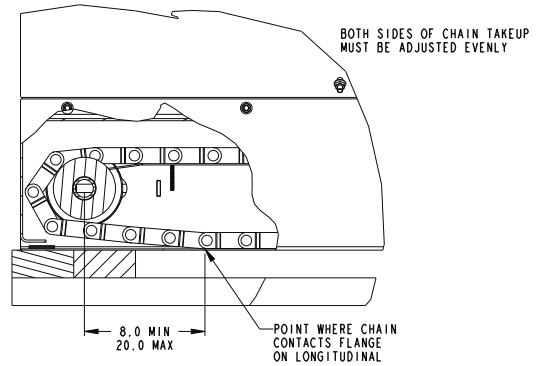
INSTALLATION AND INSTRUCTIONAL MANUAL PV SERIES

HYDRAULIC PV MODEL

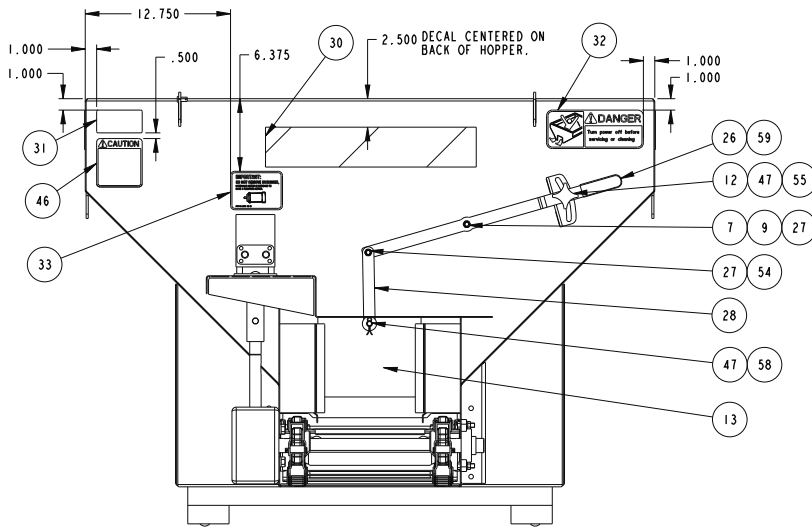


INSTALLATION AND INSTRUCTIONAL MANUAL PV SERIES

HYDRAULIC PV MODEL



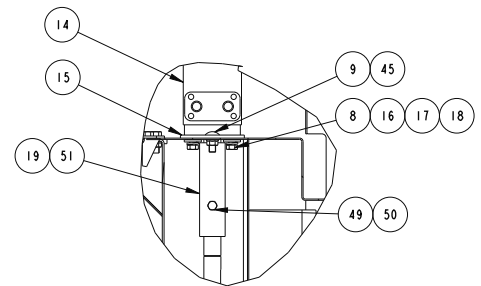
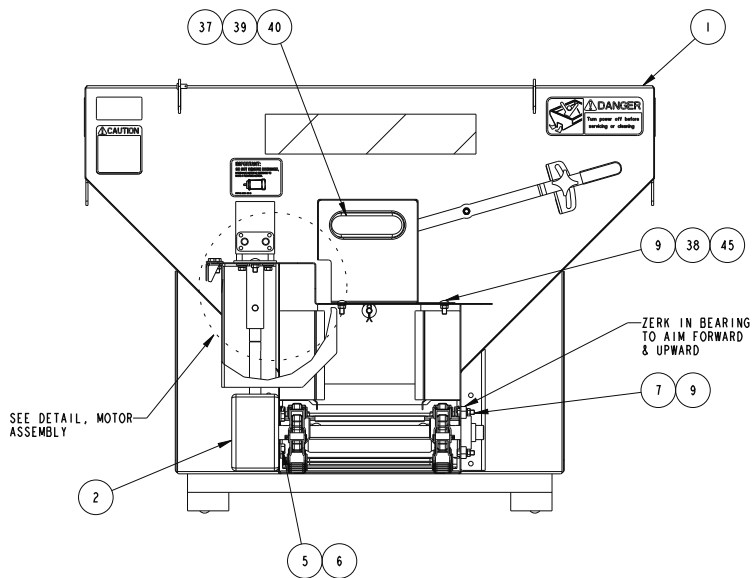
DETAIL, CHAIN TENSION



DETAIL, FEEDGATE,
HANDLE ASSEMBLY
& DECALS

INSTALLATION AND INSTRUCTIONAL MANUAL PV SERIES

HYDRAULIC PV MODEL



DETAIL, MOTOR ASSEMBLY

INSTALLATION AND INSTRUCTIONAL MANUAL PV SERIES

HYDRAULIC PV MODEL

ITEM	PART NUMBER	DESCRIPTION	QTY
27	20305	LOCKNUT, 3/8" NYLON	2
26	63294	FORM, FEEDGATE HANDLE	1
	64388	FORM, FEEDGATE, HANDLE S3	
25	00108-760-01	P, INSTR. MANUAL PV	1
24	62657	BOLT, 3/8" X 4" CA	4
22	SEE PARTS TABLE	CHAINSHIELD, PV	2
21	62408	NUT, 1/2" HEX JAM	4
	62336	NUT, 1/2" HEX JAM SS	
20	62304	WELD, TAKEUP BOLT	2
19	62037	COUPLING, SHAFT	1
18	20353	FLATWASHER, 3/8"	10
	22230	FLATWASHER 3/8" SS	
17	20049	BOLT, 3/8" X 1"	7
	62697	BOLT, 3/8" X 1" SS	
16	62202	BUSHING	4
	62339	BUSHING SS	
15	62201	PLATE, MOTOR MTG.	1
	62386	PLATE, MOTOR MTG. S3	
	64389	PLATE, MOTOR MTGT. S2	
14	60324	MOTOR, HYDRAULIC	1
13	62281	WELD, FEEDGATE	1
	62282	WELD, FEEDGATE, S3	
	63822	WELD, FEEDGATE, S2	
12	61169	KNOB, HAND	1
11	64063	ROLLER, POLY	2
10	64062	SHAFT, IDLER	1
9	62611	NUT, 3/8" FLANGE	16
	62743	NUT, 3/8" FLANGE SS	
8	20327	LOCKWASHER, 3/8"	4
	63206	LOCKWASHER, 3/8" SS	
7	20066	BOLT, 3/8" X 1 1/4"	5
	62695	BOLT, 3/8" X 1 1/4" SS	
6	20329	LOCKWASHER, 1/2"	4
	62270	LOCKWASHER, 1/2" SS	
5	62617	BOLT, 1/2" X 3/4"	4
	62750	BOLT, 1/2" 3/4" SS	
4	SEE PARTS TABLE	WELD, DRAG CHAIN	1
3	63264	FORM, GUARD, CONVEYOR, PV	
2	63117	SUB ASSEMBLY, GEARBOX	1
1	SEE PARTS TABLE	WELD, HOPPER	1

INSTALLATION AND INSTRUCTIONAL MANUAL PV SERIES

HYDRAULIC PV MODEL

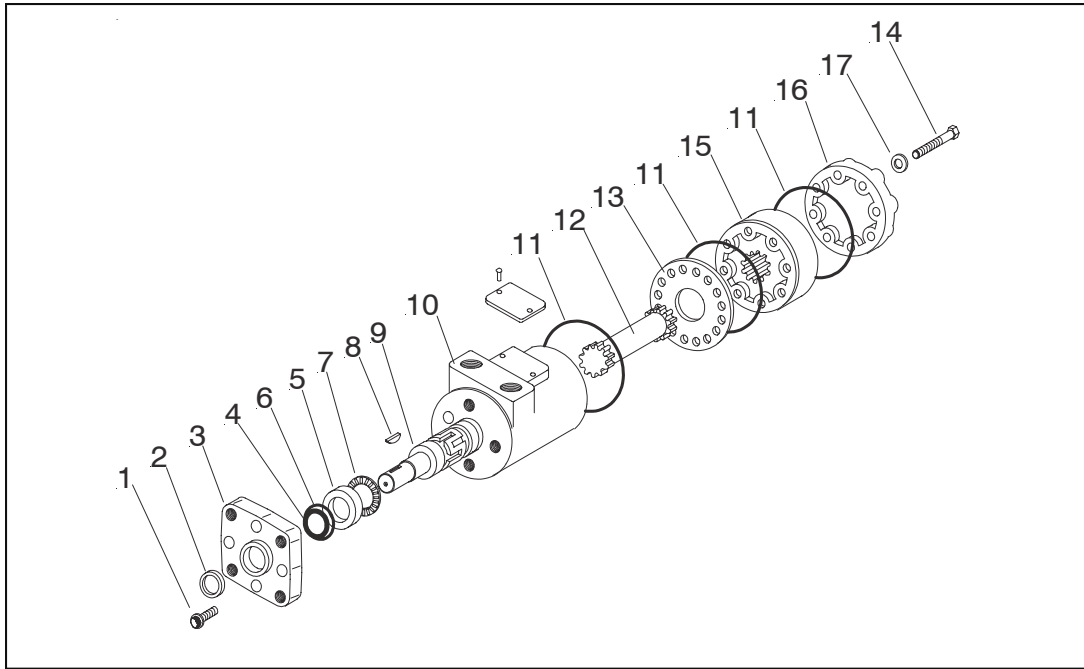
ITEM	PART NUMBER	DESCRIPTION	QTY
60	64064	IDLER COVER	2
59	64164	COVER, FEEDGATE HANDLE	1
58	62691	PIN, COTTER SS	1
57	63175	BOLT, 5/16" X 1" CA SS	4
56	62641	NUT, 5/16" FLANGE SS	18
55	62746	BOLT, 3/8" X 3/4" CA SS	1
54	62615	BOLT, 3/8" X 1 1/4" CA	1
	62813	BOLT, 3/8" X 1 1/4" CA SS	
53	63843	A, LIFT REAR FORKLIFT	1
51	61201	KEY, WOODRUFF	1
50	62628	LOCKNUT, 5/16" VINYL	1
49	63008	BOLT, 5/16" X 2"	1
48	SEE PARTS TABLE	P, ASSY, SPINNER HYD.	1
47	63409	FLATWASHER, 3/8" SS	2
46	62007	DECAL, CAUTION	1
45	62611	BOLT, 3/8" X 1" CA	4
	64447	BOLT, 3/8" X 1" CA SS	
44	63179	ASSY, IDLER	1
43	SEE PARTS TABLE	WELD, INV VEE	1
42	SEE PARTS TABLE	WELD, SCREEN	1
41	62354	WIPER, CHAIN	1
40	62715	GROMMET, MTG.	1
39	62714	LAMP, STOP	1
38	64390	WELD, STOP LAMP BRACKET	1
	64391	WELD, STOP LAMP BRACKET S3	
	64392	WELD, STOP LAMP BRACKET S2	
37	62364	CABLE, LIGHT POWER	1
36	64393	GUARD, SHAFT	1
	64394	GUARD, SHAFT S3	
	64395	GUARD, SHAFT S2	
35	62640	BOLT, 5/16" X 3/4" CA SS	16
34	SEE PARTS TABLE	FORM, FLOOR PV	1
33	62572	DECAL, MOTOR	1
32	62009	DECAL, DANGER	3
31	63295	DECAL, SERIAL NUMBER (MEYER)	1
30	63156	DECAL, LOGO, MEYER	
29	61174	PIN, CONNECTOR W/ COTTER PIN	2
28	62270	BAR, PIVOT	1
	63817	BAR, PIVOT SS	

INSTALLATION AND INSTRUCTIONAL MANUAL PV SERIES

HYDRAULIC PV MODEL ITEMS NOT SHOWN

ITEMS	PART NUMBER	PART NUMBER	DESCRIPTION	QTY
48	SEE PARTS TABLE	SEE PARTS TABLE	P, ASSY, SPINNER HYD.	1
			INSIDE UNIT FOR SHIPPING.	
53	63843	00122-181-01	A, LIFT REAR FORKLIFT	1
25	00108-760-01	00104-963-01	INSTR. MANUAL	1

INSTALLATION AND INSTRUCTIONAL MANUAL PV SERIES



PARTS LIST FOR HYDRAULIC MOTOR 60324

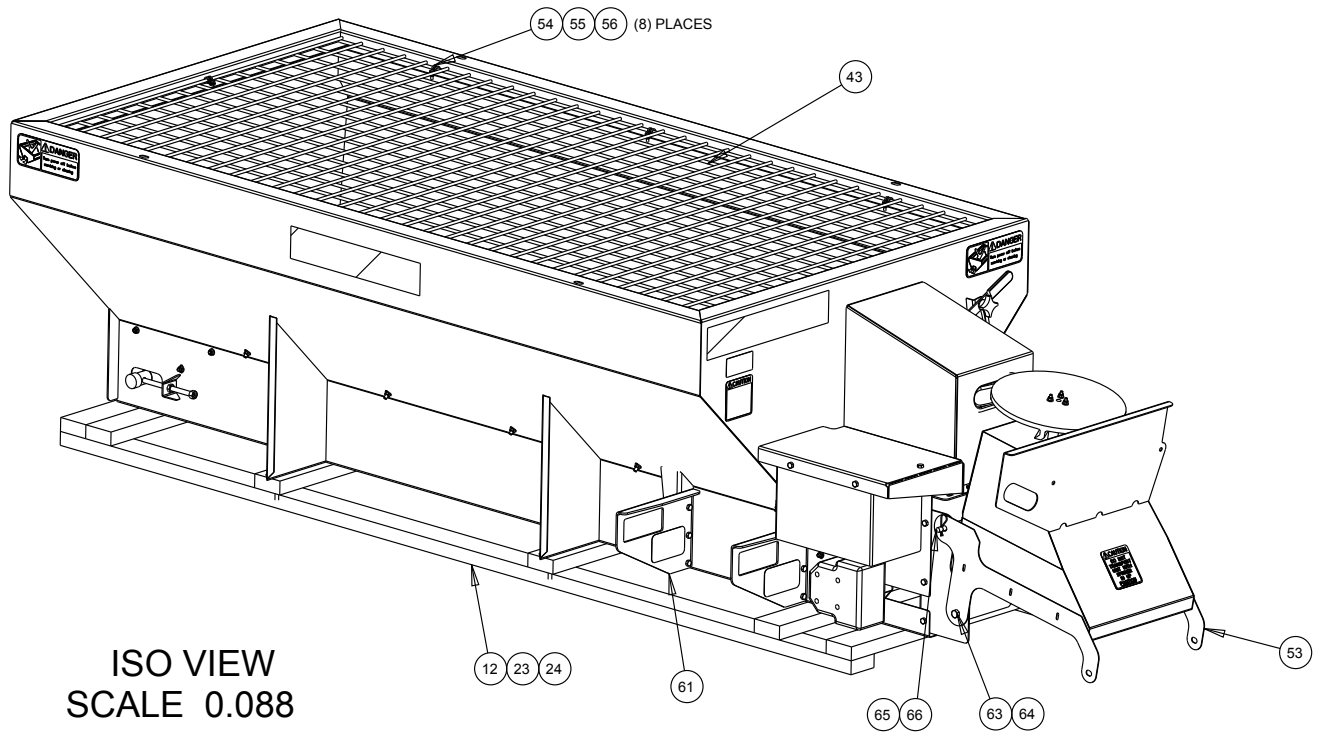
PARTS LIST

ITEM	PART NUMBER	QTY.	DESCRIPTION
1	20644	4	Screw, 5/16" - 24 x 7/8"
2		1	Seal
3	62118	1	Flange, Mounting (4 Bolt)
4		—	Seal, O-Ring
5	62756	1	Race, Bearing
6		—	Seal, O-Ring
7	62757	1	Bearing, Thrust Needle
8	21203	1	Key, 1/4" x 1" Woodruff
9	62758	1	Shaft, Output
10	62809	1	Housing
11		—	Seal, O-Ring
12	62759	1	Drive (For 04101 035 00)
13	62760	1	Plate, Spacer
14	62761	4	Screw, 5/16" - 24 x 1 1/2" Cap
15			
	62814	1	Gerotor Set (For 04101 035 00)
16	62405	1	Cap, End
17		7	Washer, Seal
	62762	1	Repaired Motor (for 04101 035 00)
	62406	1	Seal Kit (Char-Lynn)
	62359	1	Seal Kit (White)

INSTALLATION AND INSTRUCTIONAL MANUAL

PV SERIES

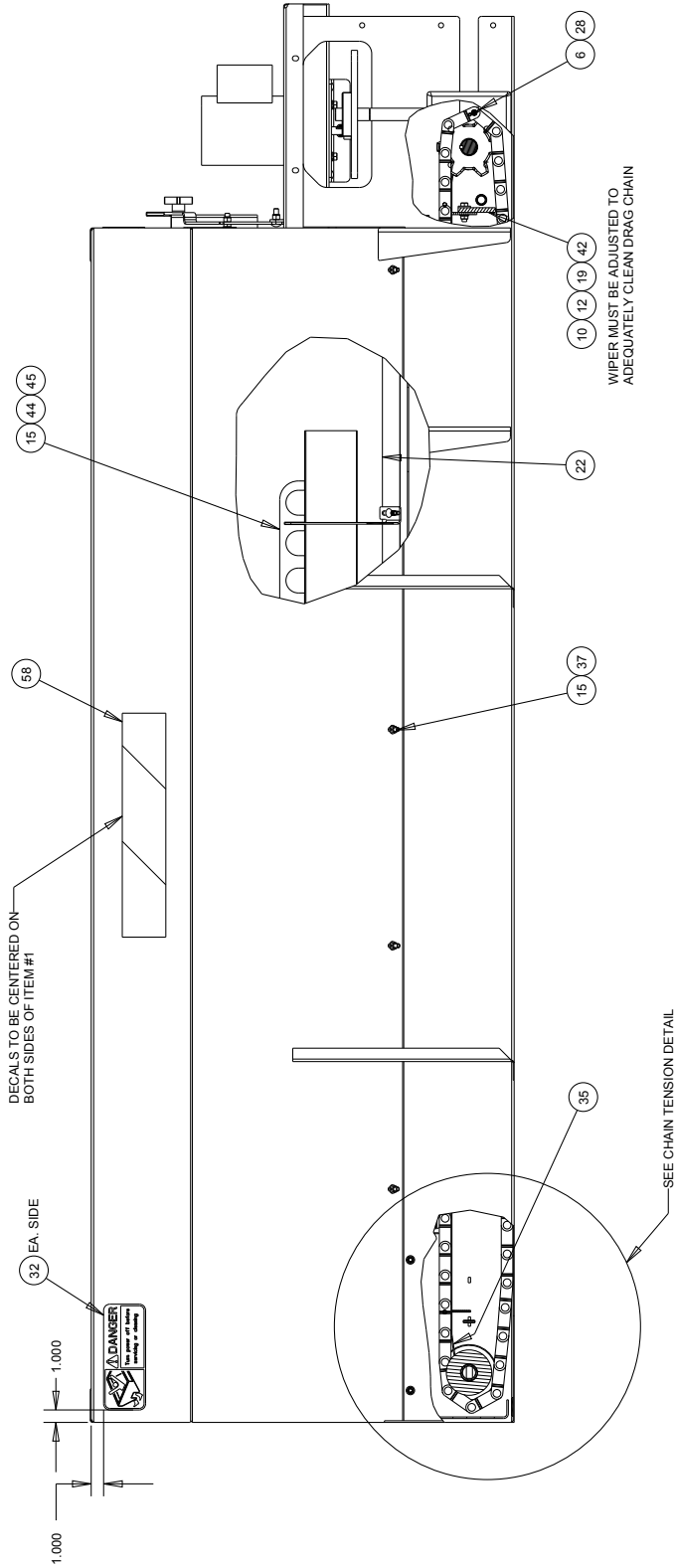
ELECTRIC PV MODEL



INSTALLATION AND INSTRUCTIONAL MANUAL

PV SERIES

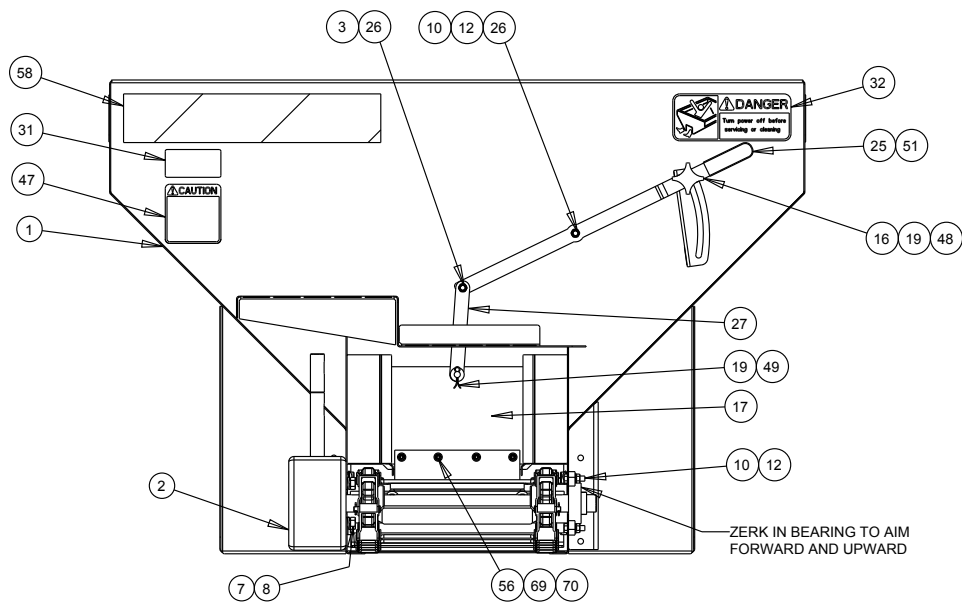
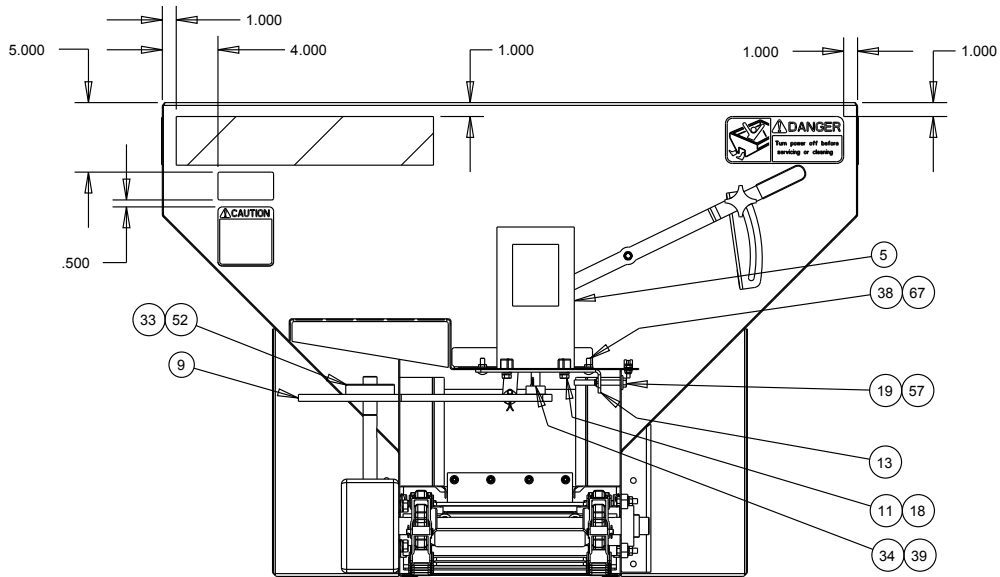
HYDRAULIC PV MODEL



INSTALLATION AND INSTRUCTIONAL MANUAL

PV SERIES

ELECTRIC PV MODEL

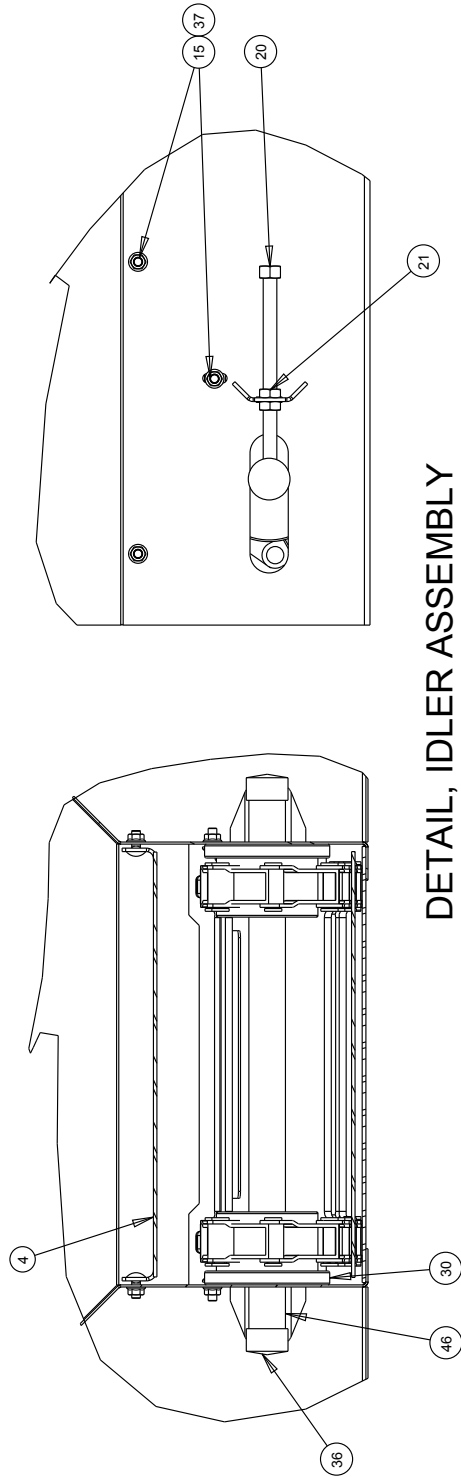


DETAIL, FEEDGATE
HANDLE ASSEMBLY

INSTALLATION AND INSTRUCTIONAL MANUAL

PV SERIES

ELECTRIC PV MODEL

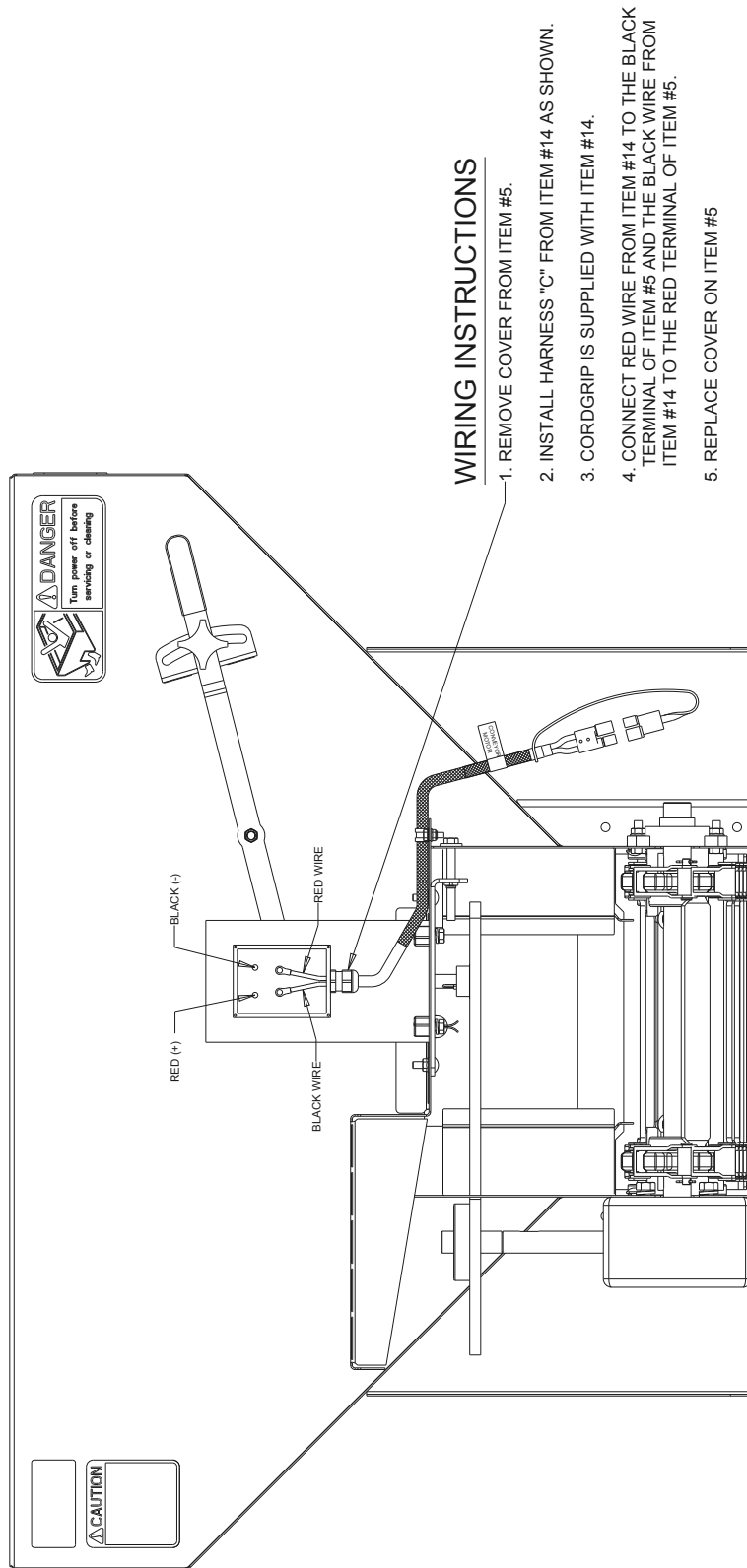


DETAIL, IDLER ASSEMBLY
SCALE .250

INSTALLATION AND INSTRUCTIONAL MANUAL

PV SERIES

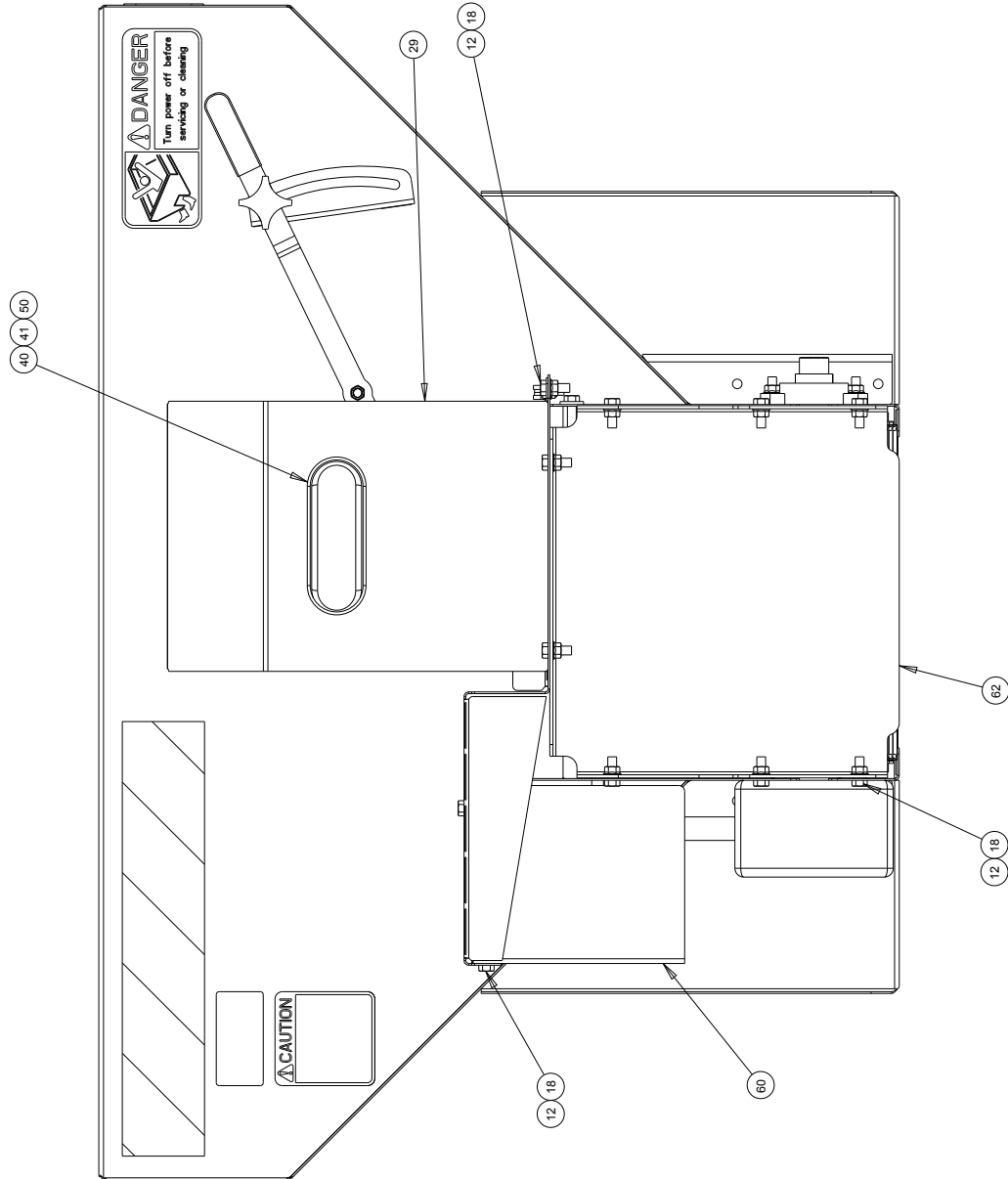
ELECTRIC PV MODEL



INSTALLATION AND INSTRUCTIONAL MANUAL

PV SERIES

ELECTRIC PV MODEL

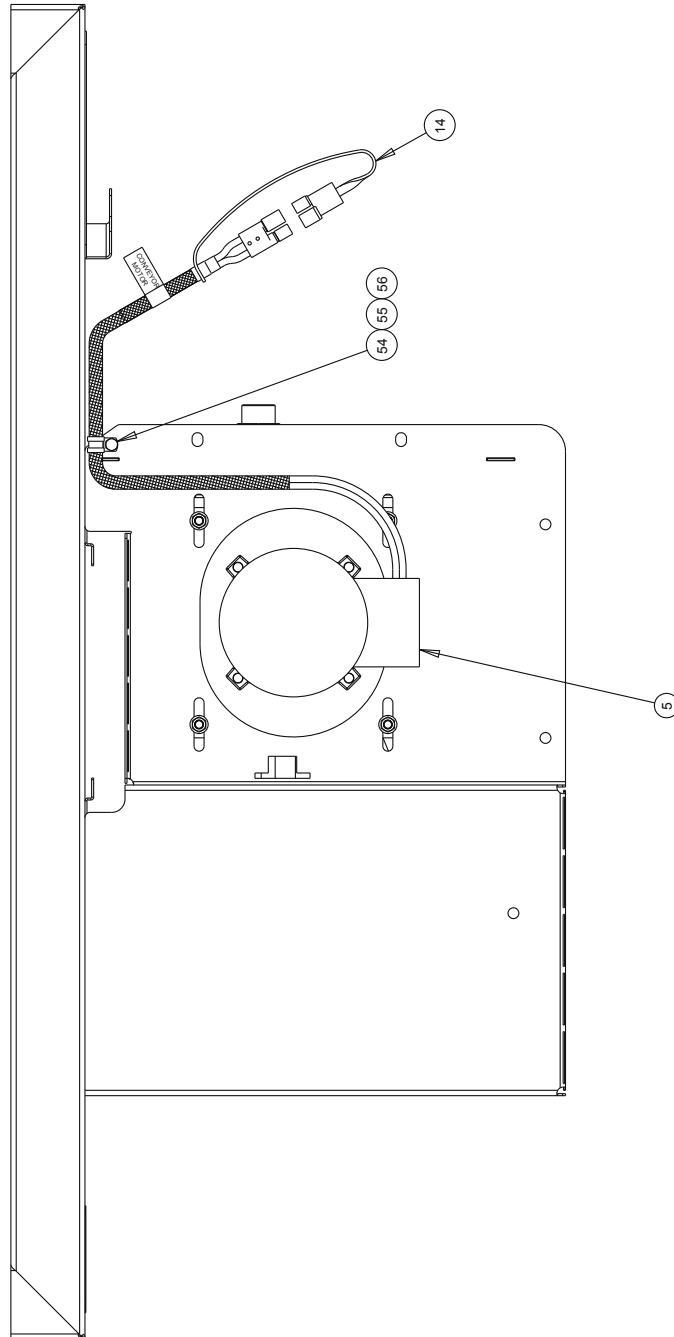


DETAIL, COVERS ASSEMBLY

INSTALLATION AND INSTRUCTIONAL MANUAL

PV SERIES

ELECTRIC PV MODEL



DETAIL, MOTOR WIRING

INSTALLATION AND INSTRUCTIONAL MANUAL

PV SERIES

ELECTRIC PV MODEL

64448 P, Pv358 50 16g S2 Elec Dm

Item	Component	Description	Qty
1	64454	Weld, Pv358 50" Hop 16g S2 Dm	1
2	63410	Sub-Y, Gearbox	1
3	64455	Bolt, 3/8-16 X 1-1/4 Ca Ss	1
4	63264	Form, Guard, Conveyor, Pv	1
5	64015	Motor, 12v 1650rpm 60a 1/2 Hp	1
6	62129	Weld, Drag Chain, 8 Ft	1
7	62750	Bolt, 1/2-13 X 3/4 Tap Hh Ss	4
8	62772	Lockwasher, 1/2" Med Split Ss	4
9	64456	Chain, Roller #40-94 Pitch W/C	1
10	62695	Bolt, 3/8-16 X 1-1/4 Hh Ss	5
11	63206	Lockwasher, 3/8" Med Split Ss	4
12	62743	Nut, 3/8-16 Ser Flange Ss	22
13	64457	Weld, Adapter 10g S2	1
14	64458	P, Control Vbel Electric Dual	1
15	63310	Nut, 5/16-18 Ser Flange Ss	22
16	61169	Knob, Hand	1
17	64459	Weld, Feedgate 10g S2	1
18	62697	Bolt, 3/8-16 X 1 Hh Ss	17
19	22230	Flatwasher, 3/8" U.S.S. Ss	5
20	62304	Weld, Take Up	2
21	62336	Nut, 1/2-13 Hj Ss	4
22	64460	Chainshield, Pv 8' 16g S2	2
23	63881	Skid, Pv, 8 Ft	1
24	62657	Bolt, 3/8-16 X 4 Ca	4
25	64461	Form, Handle Feedgate 10g S2	1
26	63348	Locknut, 3/8-16 Nl Ss	2
27	64462	Bar, Pivot 10g S2	1
28	61174	Pin, Connector W/Cotter Pin	2
29	64463	Weld, Motor Cover 16g S2	1
30	64063	Roller, Poly	2
31	62008	Decal, Serial No.	1
32	62009	Decal, Danger (Conveyor)	3
33	63333	Sprocket, 40b60-1" Bore	1
34	64464	Sprocket, 40b-11 5/8" Bore	1

INSTALLATION AND INSTRUCTIONAL MANUAL

PV SERIES

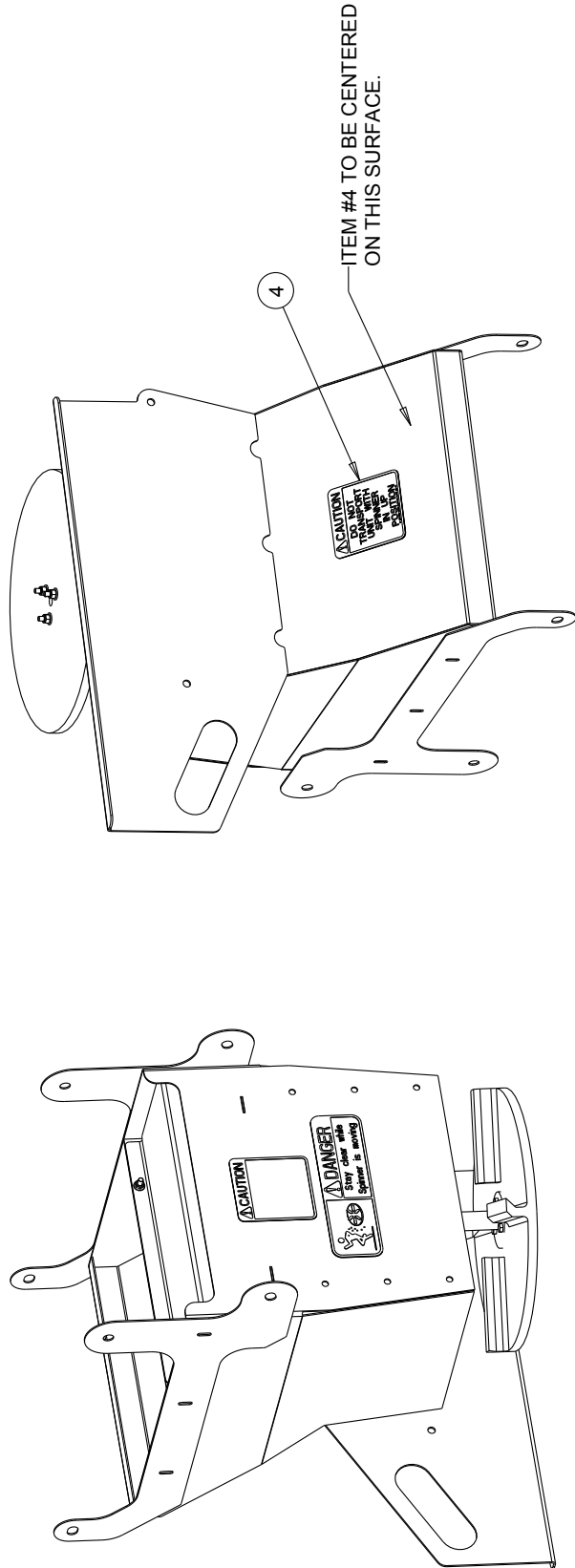
ELECTRIC PV MODEL

35	64465	Form, Floor 8' Pv 16g S2	1
36	64064	Cap, Idler	2
37	62640	Bolt, 5/16-18 X 3/4 Ca Ss	14
38	63310	nut, 5/16" flange	4
39	22438	Key, 3/16" Sq. X 1"	1
40	62364	Cable, Light Power	1
41	62714	Lamp, Stop (Ctr Hgh Mt)	1
42	62354	Wiper, Chain	1
43	64466	Screen, Pv358 Welded .31x44x90	1
44	63184	Weld, Inverted Vee Cs	1
45	63175	Bolt, 5/16-18 X 1 Ca Ss	8
46	64062	Shaft, Idler	1
47	62007	Decal, Caution	1
48	62746	Bolt, 3/8-16 X 3/4 Ca Ss	1
49	62691	Pin, 1/8" X 1" Cotter Ss	1
50	62715	Grommet, Mtg	1
51	64164	Cover, Feedgate Handle	1
52	61201	Key, 1/4" X 7/8" Woodruff	1
53	64467	Y, Spinner Pv Su Elect 16g S2	1
54	63245	Clamp, Cushioned 3/8" Loop Ss	9
55	62189	Bolt, 1/4-20 X 3/4 Hh Ss	9
56	62690	Nut, 1/4-20 Ser Flange Ss	13
57	63342	Bolt, 3/8-16 X 3-1/2 Hh Ss	1
58	63778	Decal, Meyer-Black	3
60	64468	Form, Sprocket Guard 16g S2	1
61	63843	A, Lift Rear Forklift Pv Cs	1
62	64469	Form, Rear Plate 10g S2	1
63	63284	Bolt, 1/2-13 X 1-1/4 Tap Hh Ss	2
64	63259	Locknut, 1/2-13 NI Ss	2
65	63145	Rod, Spinner Mount,S3-Ehvp	1
66	63193	Keeper, Hairpin Large, Ss	1
67	63175	Bolt, 5/16" x 1" Ca	4
69	64470	Bolt, 1/4-20 X 1 Ca Ss	4
70	64471	Extension, Feedgate	1

INSTALLATION AND INSTRUCTIONAL MANUAL

PV SERIES

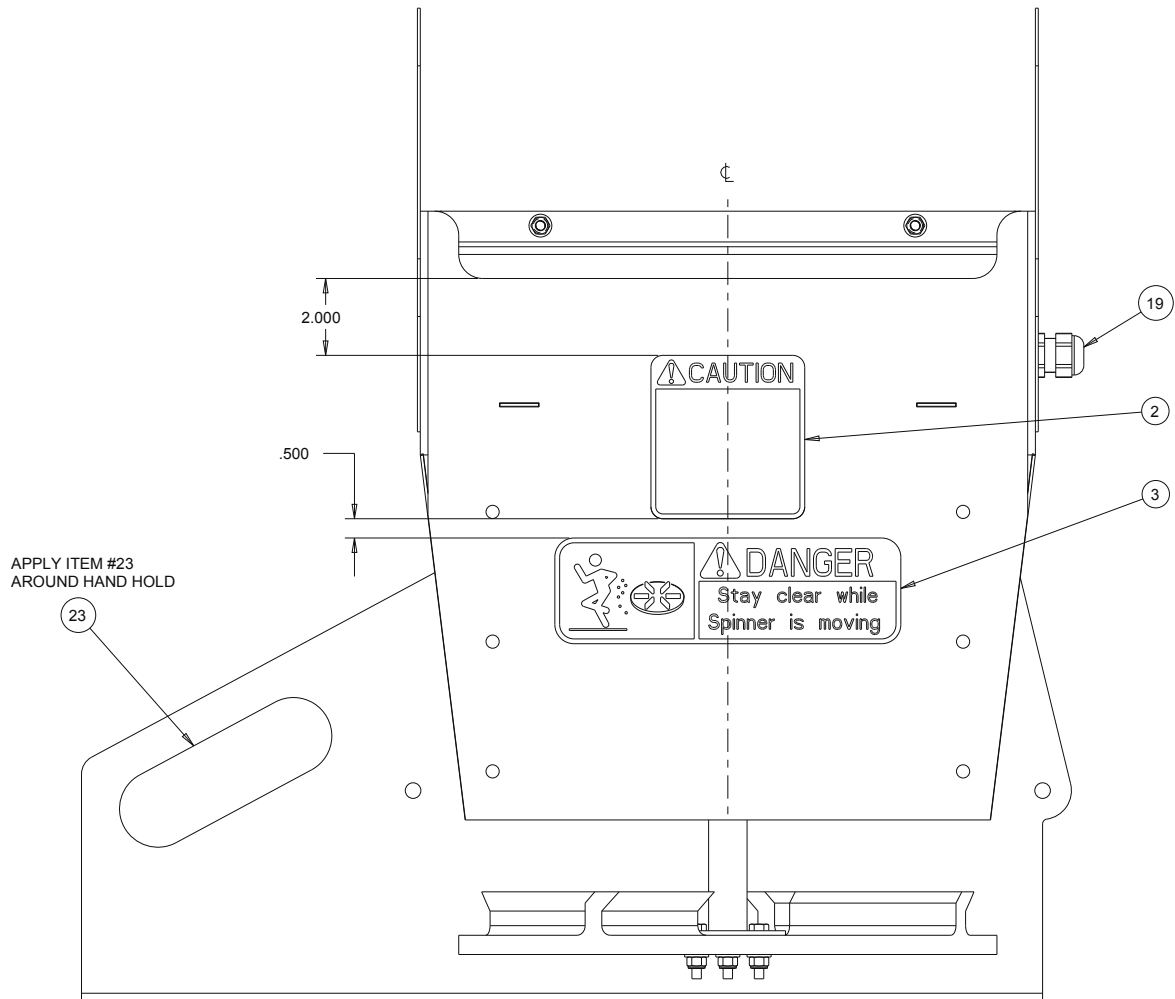
ELECTRIC PV MODEL



INSTALLATION AND INSTRUCTIONAL MANUAL

PV SERIES

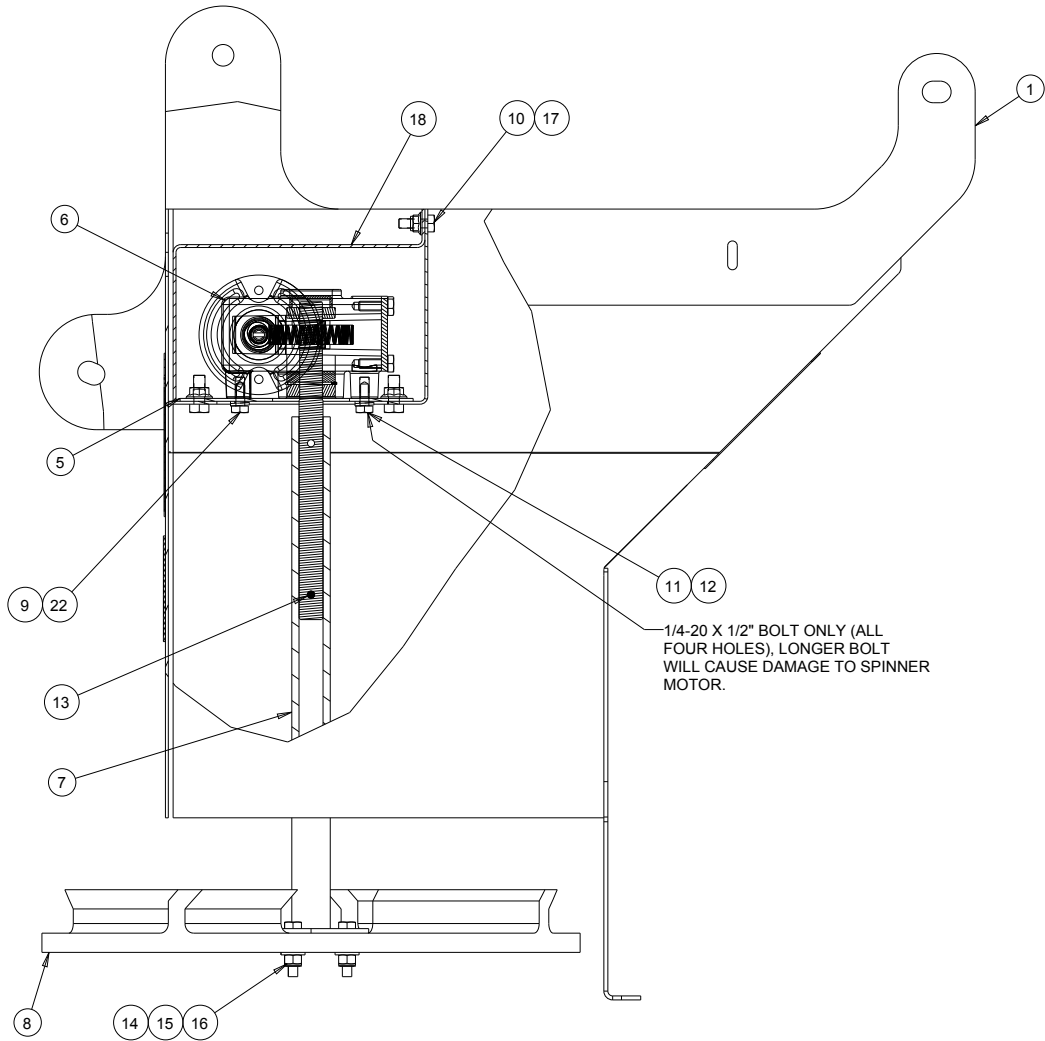
ELECTRIC PV MODEL



INSTALLATION AND INSTRUCTIONAL MANUAL

PV SERIES

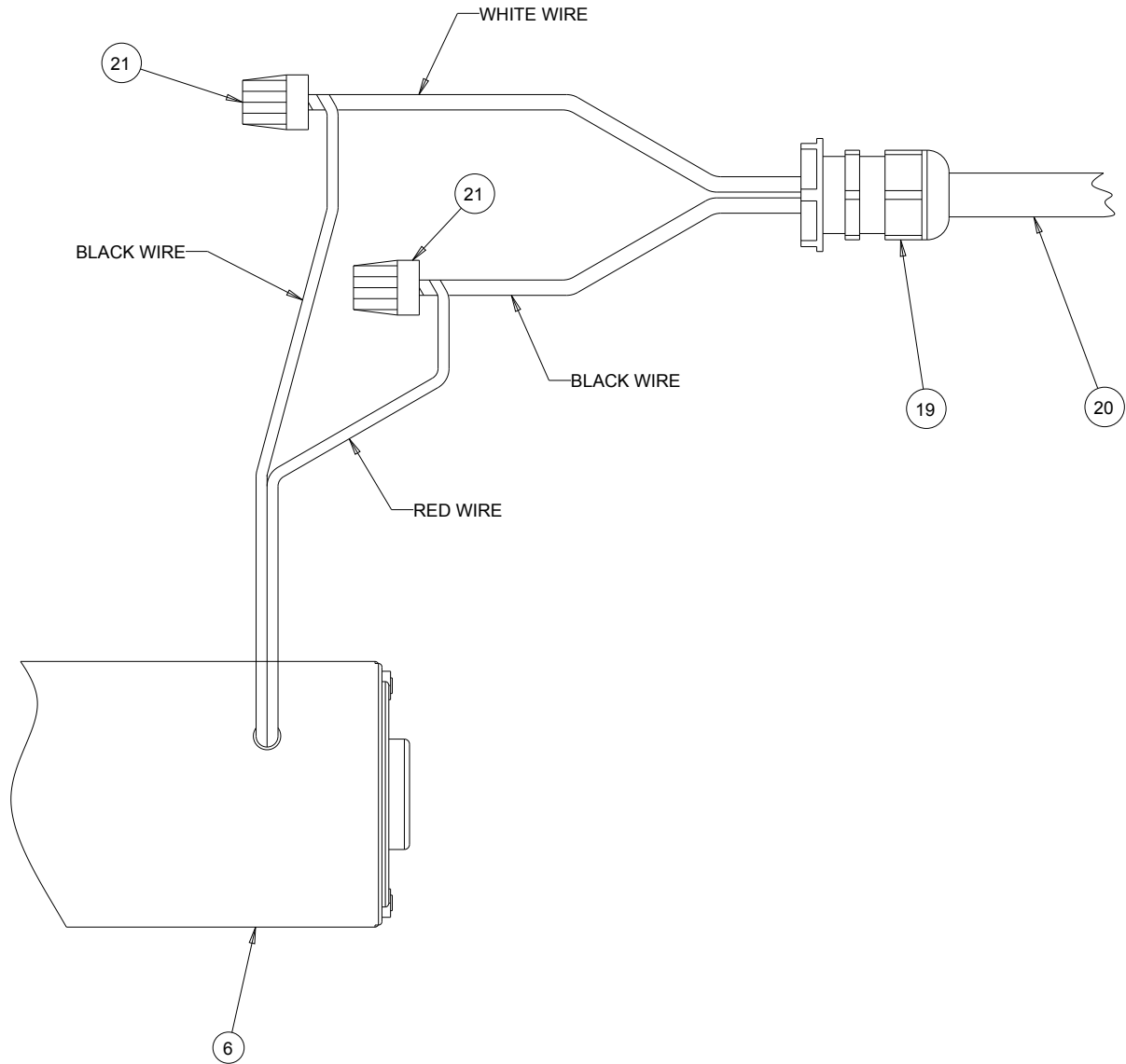
ELECTRIC PV MODEL



INSTALLATION AND INSTRUCTIONAL MANUAL

PV SERIES

ELECTRIC PV MODEL



INSTALLATION AND INSTRUCTIONAL MANUAL

PV SERIES

ELECTRIC PV MODEL

64467 Y, Spinner Pv Su Elect 16g S2

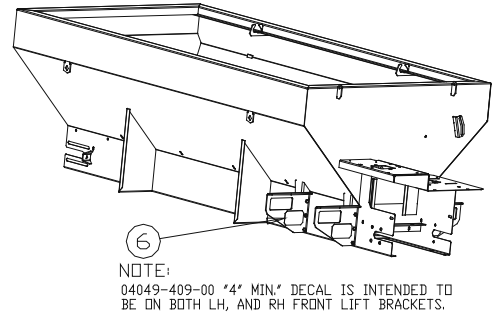
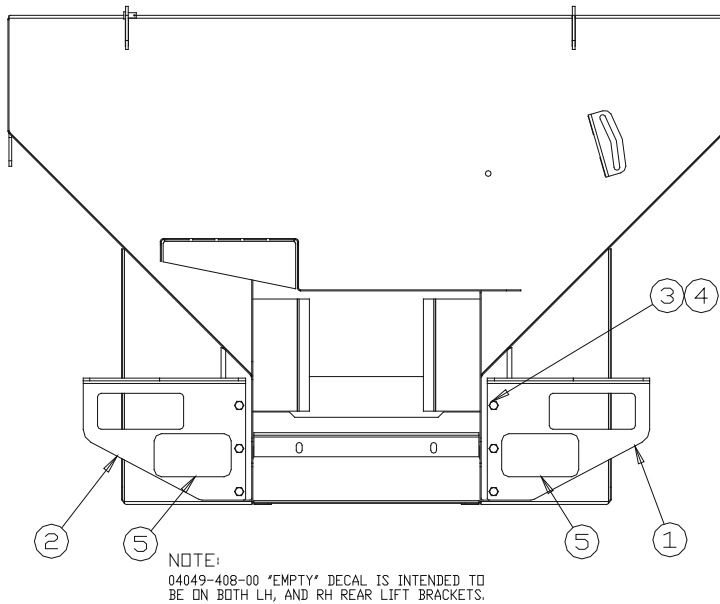
Item	Component	Description	Qty
1	64476	Weld, Spin Pv Su Elect 16g S2	1
2	62007	Decal, Caution	1
3	62006	Decal, Danger (Spinner)	1
4	64183	Decal, Swing Up Spinner	1
5	64477	Plate, Spin Motor Adapt 16g S2	1
6	64478	Motor, 12v Right Angle Spinner	1
7	64486	Weld, Spinner Shaft Cs	1
8	64183	Disc, Spinner 14" Ccw	1
9	62810	Lockwasher, 1/4" Med Split Ss	4
10	62189	Bolt, 1/4-20 X 3/4 Hh Ss	2
11	62752	Bolt, 5/16-18 X 3/4 Hh Ss	4
12	63310	Nut, 5/16-18 Ser Flange Ss	4
13	64480	Pin, 3/16" X 1" Roll	1
14	64382	Bolt, 1/4-20 X 1-1/4 Hh Ss	3
15	63587	Flatwasher, 1/4" S.A.E. Ss	3
16	64079	Locknut, 1/4-20 NI Ss Sp	3
17	62690	Nut, 1/4-20 Ser Flange Ss	2
18	64481	Form, Spin Motor Cover 16g S2	1
19	62160	Bushing, Strain Relief	1
20	64482	Harness, Electric Motor	1
21	64483	Twister Db Plus Wire Nut	2
22	64484	Bolt, 1/4-20 X 1/2 Hh Std Ss	4
23	63128	Trim, Vinyl	1.25
24	62198	Tie, Nylon 14" Std.	2

INSTALLATION AND INSTRUCTIONAL MANUAL

PV SERIES

ELECTRIC PV MODEL

A, Lift Rear Forklift Pv Cs

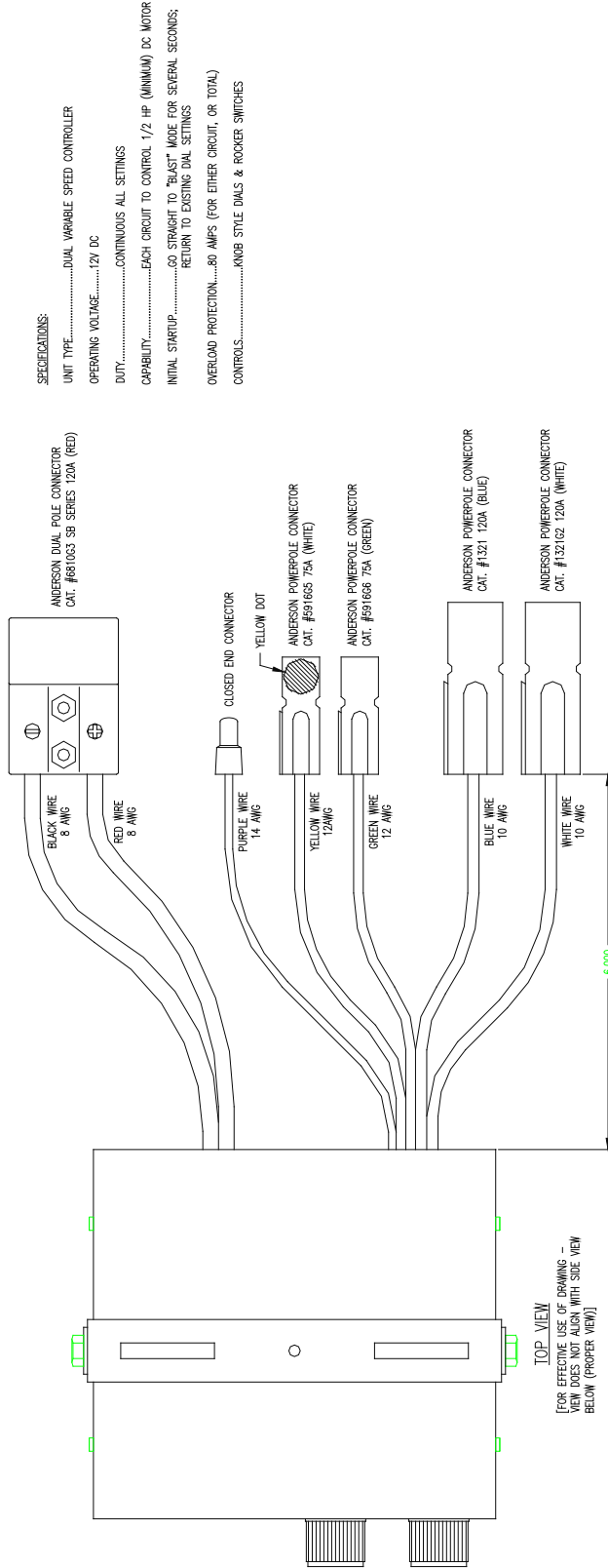


63843 A, Lift Rear Forklift Pv Cs			
Item	Component	Description	Qty
1	63839	Brkt, Fork Rh Cs	2
2	63841	Brkt, Fork Lh 7g Cs	2
3	62697	Bolt, 3/8-16 X 1 Hh Ss	12
4	62743	Nut, 3/8-16 Ser Flange Ss	12
5	63847	Decal, Caution Unloaded	2
6	63848	Decal, Caution 4" Min	2

INSTALLATION AND INSTRUCTIONAL MANUAL

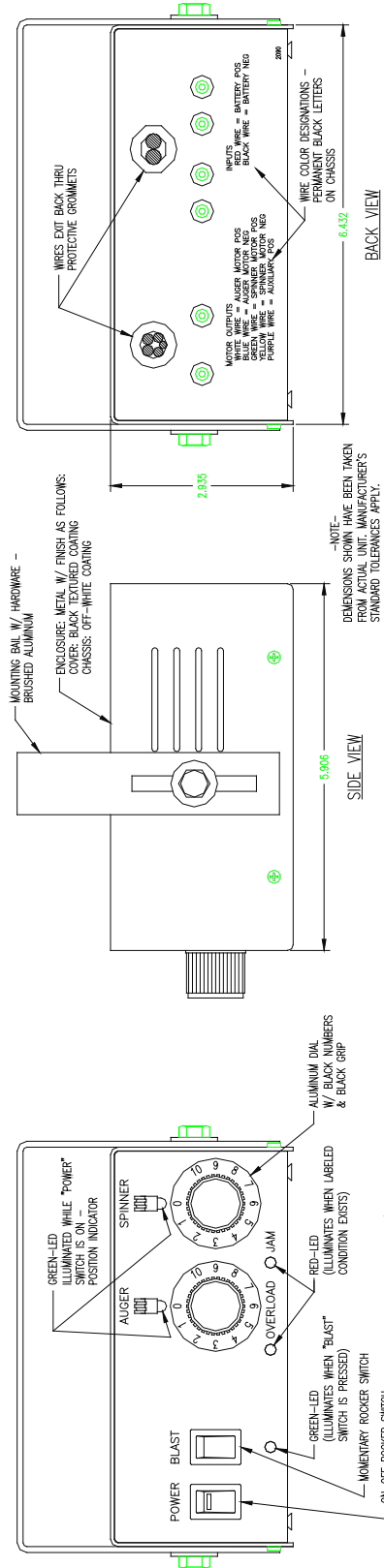
PV SERIES

ELECTRIC PV MODEL 63962 Control, Motor Dual Elec



SPECIFICATIONS:
 UNIT TYPE.....DUAL VARIABLE SPEED CONTROLLER
 OPERATING VOLTAGE.....12V DC
 DUTY.....CONTINUOUS ALL SETTINGS
 CAPABILITY.....EACH CIRCUIT TO CONTROL 1/2 HP (MINIMUM) DC MOTOR
 INITIAL STARTUP.....GO STRAIGHT TO "BLAST" MODE FOR SEVERAL SECONDS;
 RETURN TO EXISTING DIAL SETTINGS
 OVERLOAD PROTECTION.....80 AMPS (FOR EITHER CIRCUIT, OR TOTAL)
 CONTROLS.....KNOB STYLE DIALS & ROCKER SWITCHES

TOP VIEW
 [FOR EFFECTIVE USE OF DRAWING -
 VIEW DOES NOT ALIGN WITH SIDE VIEW
 BELOW (PROPER VIEW)]



NOTES

NOTES

INSTALLATION AND INSTRUCTIONAL MANUAL PV SERIES

PV PARTS LISTING TABLE

PV HOPPERS

PART NUMBER	PART NUMBER	DESCRIPTION	QTY
64421	00115-156-40	WELD, PV358 50" HOPPER 14GA CS	1
63823	00115-156-32	WELD, PV358 50" HOPPER 14GA S2	1
63293	00115-156-25	WELD, PV358 50" HOPPER 14GA S3 HYD	1
64422	00115-156-41	WELD, PV359 50" HOPPER 14GA CS 9 FT	1
64423	00115-156-45	WELD, PV359 50" HOPPER 14GA S2	1
64424	00115-156-42	WELD, PV3510 50" HOPPER 14GA CS	1
64425	00115-156-46	WELD, PV3510 50" HOPPER 14 GA S2	1
64420	00115-156-62	WELD, PV356 50" HOPPER 16 GA S2	1

PV DRAG CHAINS

PART NUMBER	PART NUMBER	DESCRIPTION	QTY
62129	04043-016-00	WE;D, DRAG CHAIN 8 FOOT	1
64287	04043-032-00	WELD, DRAG CHAIN 9 FOOT	1
64426	04043-030-00	WELD, DRAG CHAIN 10 FOOT	1
64244	04043-079-00	WELD, DRAG CHAIN 6 FOOT	1

PV CHAIN SHIELDS

PART NUMBER	PART NUMBER	DESCRIPTION	QTY
64427	00119-603-04	CHAINSHIELD, PV 8" 14GA CS	2
63830	00119-603-03	CHAINSHIELD, PV 8" 14GA S2	2
63260	00119-603-01	CHAINSHIELD, PV 8' 14GA S3	2
64428	00119-604-02	CHAINSHIELS, PV 9' 14GA CS	2
64429	00119-604-01	CHAINSHIELS, PV 9' 14GA S2	2
64430	00119-605-02	CHAINSHIELD, PV 10' 14GA CS	2
64431	00119-605-01	CHAINSHIELD, PV 10' 14GA S2	2
64405	00119-949-06	CHAINSHIELD PV 6' 16GA S2	2

PV INVERTED "VEES"

PART NUMBER	DESCRIPTION	QTY
63184	INVERTED VEE, 8 FOOT PV	1
62294	INVERTED VEE, 9 FOOT PV	1
62296	INVERTED VEE 10 FOOT PV	1

CS=CARBON STEEL, S2=201 STAINLESS STEEL, S3=S04 STAINLESS STEEL

INSTALLATION AND INSTRUCTIONAL MANUAL PV SERIES

PV PARTS LISTING TABLE CONTINUED

PV FLOOR

PART NUMBER	DESCRIPTION	QTY
64432	FORM, FLOOR, 8' PV 14GA CS	1
63836	FORM, FLOOR, 8' PV 14GA S2	1
64434	FORM, FLOOR, 9' PV 14GA CS	1
64435	FORM, FLOOR, 9' PV 14GA S2	1
64436	FORM, FLOOR, 10' PV 14GACS	1
64437	FORM, FLOOR, 10' PV 14GA S2	1
64416	FORM, FLOOR, 6' PV 16GA S2	1

PV SHROUD

PART NUMBER	DESCRIPTION	QTY
63017	WELD, SHROUD, PV 14GA CS	1
63021	WELD, SHROUD, PV 14GA S2	1
64402	WELD, SHROUD, PV 14GA S3	1
64414	WELD, SHROUD, PV 16GA S2	1

PV SPINNER ASSEMBLIES

PART NUMBER	DESCRIPTION	QTY
64439	P, ASSY, PV SPNR, INTMD, 14GA CS	1
64440	P, ASSY, PV SPNR, INTMD, HYD, 14GA CS	1
63816	P, ASSY, PV SPNR, INTMD, 14GA S2	1
64441	P, ASSY, PV SPNR, INTMD, HYD, 14GA S2	1
64442	P, ASSY, PV SPNR, EXT, HYD, 14GA S2	1
64443	P, ASSY, PV SPNR, EXT, HYD, 14GA S3	1
64444	P, ASSY, PV SPNR, INTMD, 14GA S3	1
64412	P, ASSY, PV SPNR, INTMD, 16GA S2	1

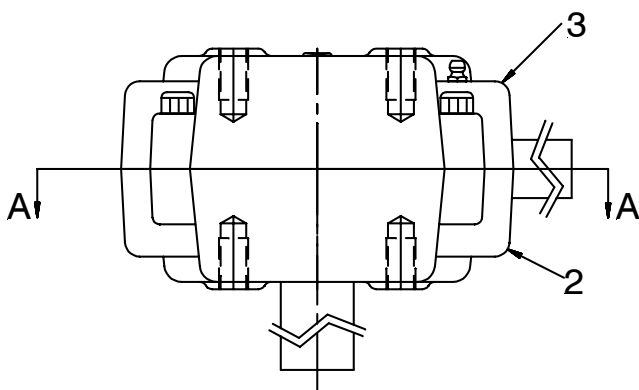
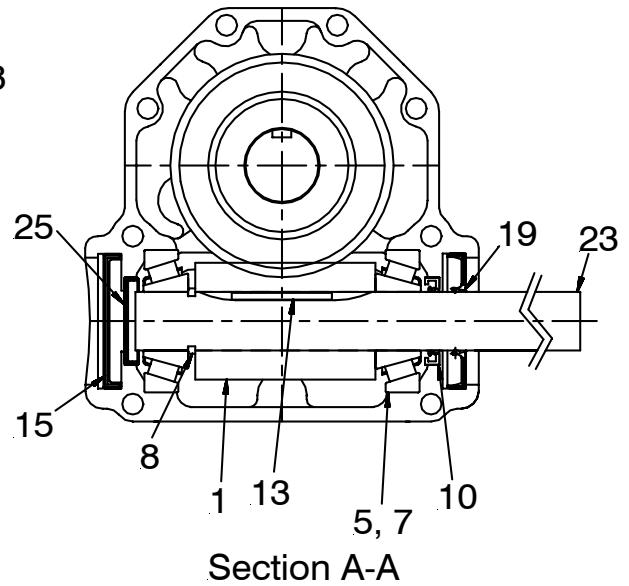
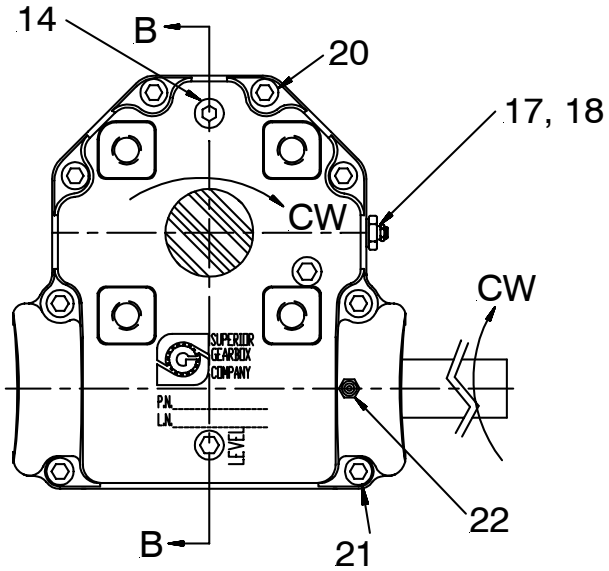
PV SCREENS

PART NUMBER	DESCRIPTION	QTY
63201	SCREEN, 8 FOOT PV	1
64448	SCREEN, 9 FOOT PV	1
64449	SCREEN, 10 FOOT PV	1

CS=CARBON STEEL, S2=201 STAINLESS STEEL, S3=S04 STAINLESS STEEL

INSTALLATION AND INSTRUCTIONAL MANUAL PV SERIES

SUPERIOR GEARBOX ASSEMBLY



Notes:

1. Gear Ratio is: 20:1
2. Torque 3/8-16 Capscrews (20, 21) to 35-40 ft. lbs.

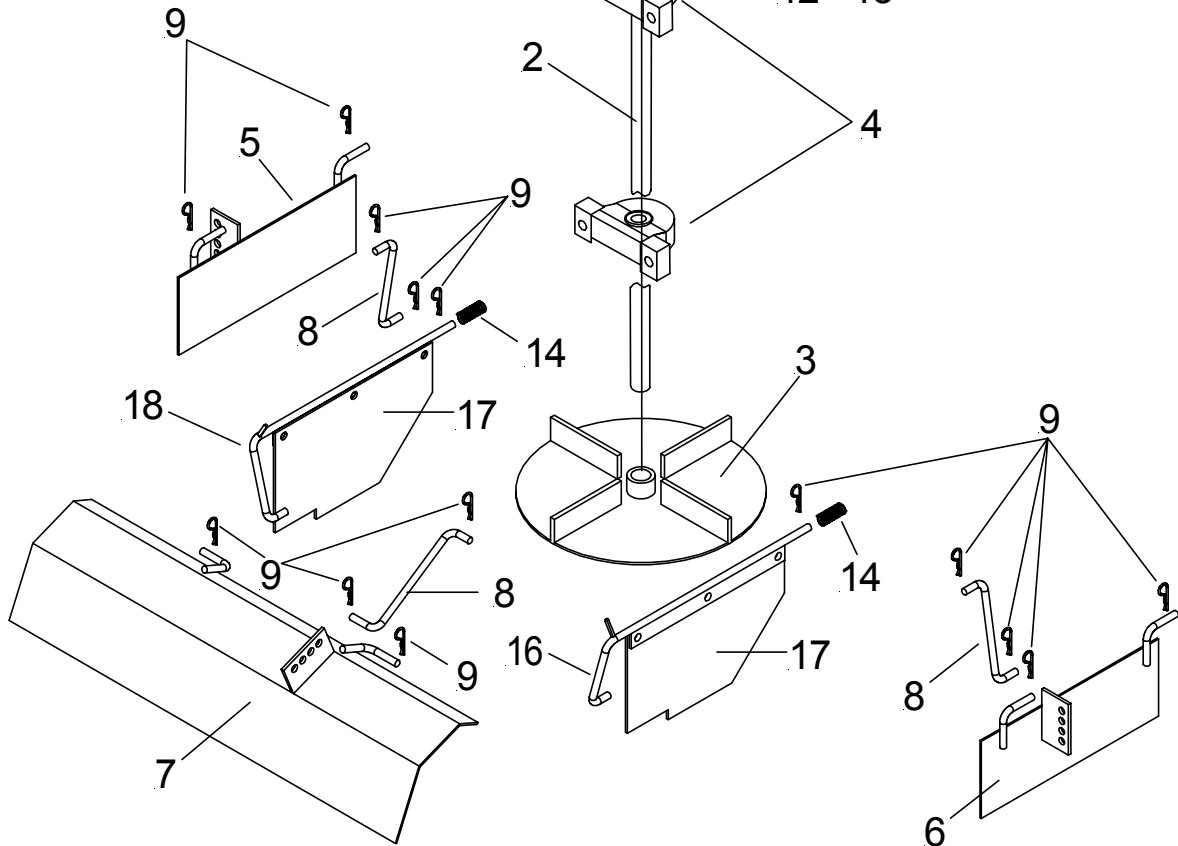
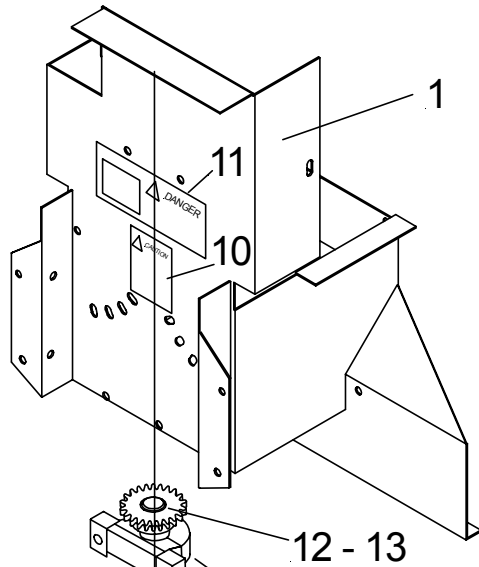
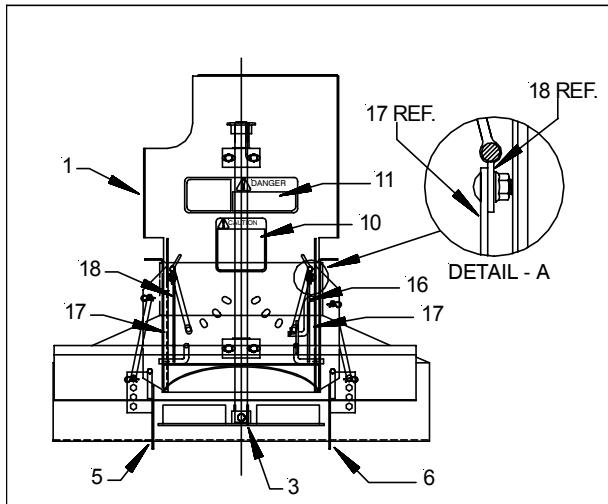
INSTALLATION AND INSTRUCTIONAL MANUAL PV SERIES

PARTS LIST FOR SUPERIOR GEARBOX ASSEMBLY

62902
After 11/4/02

ITEM	PART NUMBER	QTY.	DESCRIPTION
1	62903	1	Gear, Worm, LH 20:1
2	62904	1	Casting, Machined
3	62905	1	Casting, Machined Thru
4	62906	1	Gear, Worm 20:1 LH 1/4 Keyway
5	62907	2	Bearing, Cone TMKN # 15101
6	62908	2	Bearing, Cone TMKN # 15126
7	62909	4	Bearing, Cup TMKN # 15245
8	62910	1	Retaining Ring, Ext. 1.000 Shaft
9	62911	1	Retaining Ring, Ext 1.250 Shaft
10	62912	1	Seal, 1.000
11	62913	1	Seal, 1.250
12	62914	1	Key, 1/4 x 1/4, 1.080
13	62915	1	Key, 1/4 x 1/4, 1.580
14	62916	4	Plug, 1/4-18 NPT SCHD W/3M
15	62917	1	End Cap, CP-2.312
16	62918	1	End Cap, CP-2.000
17	62919	1	Bushing, 1/4 NPT x 1/8 NPT
18	62920	1	Plug, Vent 5 PSI
19	62921	1	Seal, 1.000
20	62922	4	Socket Head Cap Screw, 5/16"-18 x 1.50
21	62923	4	Socket Head Cap Screw, 5/16"-18 x 1.75
22	62924	1	Zerk, Grease
23	62925	1	Shaft, Input
24	62926	1	Shaft, Output
25	62927	1	End Cap, CP-1.500
26	62928	20	Lube / EP 85W140

SHORT SPINNER ASSEMBLY



INSTALLATION AND INSTRUCTIONAL MANUAL PV SERIES

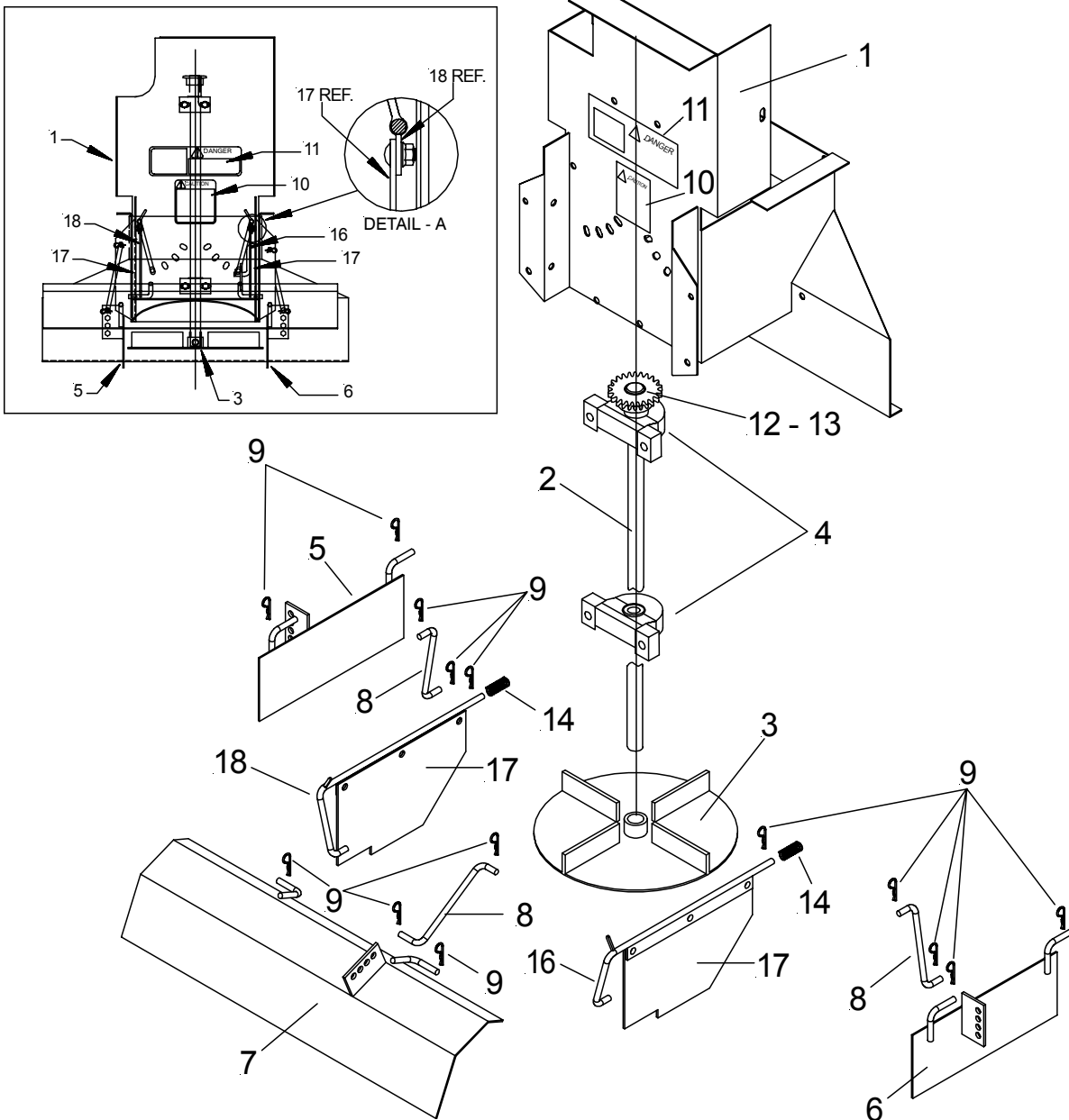
PARTS LIST FOR SPINNER ASSEMBLY SHORT - PARTS ONLY

(ORIGINAL VERSION OF STANDARD)

PARTS LIST

ITEM	PART. NO.		QTY.	DESCRIPTION
	62504		1	Short (Steel) Spinner Assy.
	62512		1	Short (Steel) W/Poly Disc.
	62506		1	Short (304SS) Spinner Assy.
1	62778		1	• Weld, Spinner Frame (Carbon Steel)
	62779		1	• Weld, Spinner Frame (304 Stainless Steel)
2	61151		1	• Shaft, Spinner
3	61180		1	• Weld, Spinner Disc
	62146		1	• Disc, Poly Spinner
4	62356		2	• Bearing
4b	61164		2	• Bearing 1" (Old Style Hopper)
N/S	61187		2	• Bearing Bracket, Weldment (Old Style)
5	61181		1	• Weld, L. H. Baffle (Carbon Steel)
	62273		1	• Weld, L. H. Baffle (304 Stainless Steel)
6	61182		1	• Weld, R. H. Baffle (Carbon Steel)
	62272		1	• Weld, R. H. Baffle (304 Stainless Steel)
7	61183		1	• Weld, Rear Baffle (Carbon Steel)
	62275		1	• Weld, Rear Baffle (304 Stainless Steel)
8	62313		3	• Link Bar, S3
9	61232		12	• Hairpin Keeper
10	62007		1	• Decal, Caution
11	62006		1	• Decal, Danger
12	61196		1	• Key, 1/4" Sq. x 1"
13	61156		1	• Sprocket Drive 41 B 13
13b	61157		1	• Sprocket Drive 41 B 19 (Old Style Hopper)
14	62358		2	• Spring, Compression
15	62780		1	• Hardware Bag
16	62331		1	• Weld, R. H. Handle (Carbon Steel)
	62781		1	• Weld, R. H. Handle (304 Stainless Steel)
17	62782		2	• Plate, Baffle (Carbon Steel)
	62783		2	• Plate, Baffle (304 Stainless Steel)
18	62333		1	• Weld, L. H. Handle (Carbon Steel)
	62784		1	• Weld, L. H. Handle (304 Stainless Steel)
PARTS LIST FOR HYDRAULIC MOTOR DRIVEN UNITS				
	PART NUMBER		QTY.	DESCRIPTION
	62508		1	Standard Hydraulic (Steel) Spinner Assy.
	62510		1	Standard Hydraulic (304SS) Spinner Assy.
	62785		1	• Weld, Spinner Frame (Carbon Steel)
	62786		1	• Weld, Spinner Frame (304 Stainless Steel)
	62787		1	• Motor, Hydraulic
	62788		1	• Weld, Shaft
	62789		1	• Bracket, Motor Mount (Carbon Steel)
	62790		1	• Bracket, Motor Mount (304 Stainless Steel)
	62791		2	• Bushing
	62792		2	• Bushing, (304 Stainless Steel)

INTERMEDIATE - STANDARD SPINNER ASSEMBLY



INSTALLATION AND INSTRUCTIONAL MANUAL PV SERIES

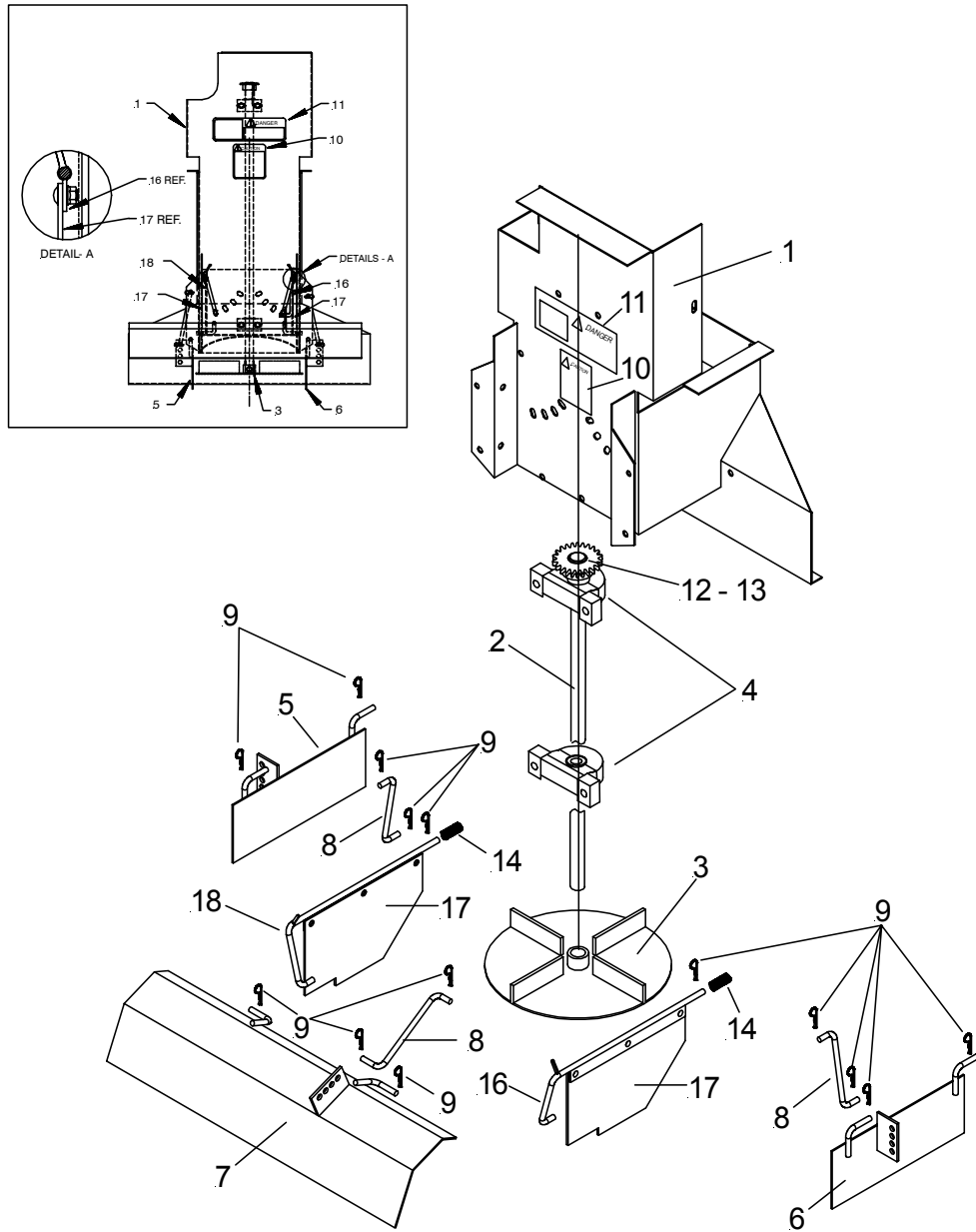
PARTS LIST FOR EXTENDED SPINNER ASSEMBLY INTERMEDIATE - STANDARD (NEW)

PARTS LIST

ITEM	PART. NO.	QTY.	DESCRIPTION
	62929	1	Standard (Steel) W/Poly Disc.
	62930	1	Standard (304SS) Spinner Assy.
1	62931	1	• Weld, Spinner Frame (Carbon Steel)
	62932	1	• Weld, Spinner Frame (304 Stainless Steel)
2	62933	1	• Shaft, Spinner
3	61180	1	• Weld, Spinner Disc
	62146	1	• Disc, Poly Spinner
4	62356	2	• Bearing
4b	61164	2	• Bearing 1" (Old Style Hopper)
N/S	61187	2	• Bearing Bracket, Weldment (Old Style)
5	61181	1	• Weld, L. H. Baffle (Carbon Steel)
	62273	1	• Weld, L. H. Baffle (304 Stainless Steel)
6	61182	1	• Weld, R. H. Baffle (Carbon Steel)
	62272	1	• Weld, R. H. Baffle (304 Stainless Steel)
7	61183	1	• Weld, Rear Baffle (Carbon Steel)
	62275	1	• Weld, Rear Baffle (304 Stainless Steel)
8	62313	3	• Link Bar, S3
9	61232	12	• Hairpin Keeper
10	62007	1	• Decal, Caution
11	62006	1	• Decal, Danger
12	61196	1	• Key, 1/4" Sq. x 1"
13	61156	1	• Sprocket Drive 41 B 13
13b	61157	1	• Sprocket Drive 41 B 19 (Old Style Hopper)
14	62358	2	• Spring, Compression
15	62780	1	• Hardware Bag
16	62331	1	• Weld, R. H. Handle (Carbon Steel)
	62781	1	• Weld, R. H. Handle (304 Stainless Steel)
17	62782	2	• Plate, Baffle (Carbon Steel)
	62783	2	• Plate, Baffle (304 Stainless Steel)
18	62333	1	• Weld, L. H. Handle (Carbon Steel)
	62784	1	• Weld, L. H. Handle (304 Stainless Steel)
PARTS LIST FOR HYDRAULIC MOTOR DRIVEN UNITS			
ITEM	PART. NO.	QTY.	DESCRIPTION
	----	1	Extended Hydraulic (Steel) Spinner Assy.
	----	1	Extended Hydraulic (304SS) Spinner Assy.
	----	1	• Weld, Spinner Frame (Carbon Steel)
	----	1	• Weld, Spinner Frame (304 Stainless Steel)
	62787	1	• Motor, Hydraulic
	----	1	• Weld, Shaft
	62789	1	• Bracket, Motor Mount (Carbon Steel)
	62790	1	• Bracket, Motor Mount (304 Stainless Steel)
	62791	2	• Bushing
	62792	2	• Bushing, (304 Stainless Steel)

INSTALLATION AND INSTRUCTIONAL MANUAL PV SERIES

EXTENDED SPINNER ASSEMBLY



INSTALLATION AND INSTRUCTIONAL MANUAL PV SERIES

PARTS LIST FOR EXTENDED SPINNER ASSEMBLY EXTENDED - PARTS ONLY

PARTS LIST

ITEM	PART. NO.	QTY.	DESCRIPTION
	62505	1	Extended (Steel) Spinner Assy.
	62513	1	Extended (Steel) W/Poly Disc.
	62507	1	Extended (304SS) Spinner Assy.
1	62574	1	• Weld, Spinner Frame (Carbon Steel)
	62793	1	• Weld, Spinner Frame (304 Stainless Steel)
2	62057	1	• Shaft, Spinner
3	61180	1	• Weld, Spinner Disc
	62146	1	• Disc, Poly Spinner
4	62356	2	• Bearing
4b	61164	2	• Bearing 1" (Old Style Hopper)
N/S	61187	2	• Bearing Bracket, Weldment (Old Style)
5	61181	1	• Weld, L. H. Baffle (Carbon Steel)
	62273	1	• Weld, L. H. Baffle (304 Stainless Steel)
6	61182	1	• Weld, R. H. Baffle (Carbon Steel)
	62272	1	• Weld, R. H. Baffle (304 Stainless Steel)
7	61183	1	• Weld, Rear Baffle (Carbon Steel)
	62275	1	• Weld, Rear Baffle (304 Stainless Steel)
8	62313	3	• Link Bar, S3
9	61232	12	• Hairpin Keeper
10	62007	1	• Decal, Caution
11	62006	1	• Decal, Danger
12	61196	1	• Key, 1/4" Sq. x 1"
13	61156	1	• Sprocket Drive 41 B 13
13b	61157	1	• Sprocket Drive 41 B 19 (Old Style Hopper)
14	62358	2	• Spring, Compression
15	62780	1	• Hardware Bag
16	62331	1	• Weld, R. H. Handle (Carbon Steel)
	62781	1	• Weld, R. H. Handle (304 Stainless Steel)
17	62782	2	• Plate, Baffle (Carbon Steel)
	62783	2	• Plate, Baffle (304 Stainless Steel)
18	62333	1	• Weld, L. H. Handle (Carbon Steel)
	62784	1	• Weld, L. H. Handle (304 Stainless Steel)
PARTS LIST FOR HYDRAULIC MOTOR DRIVEN UNITS			
ITEM	PART. NO.	QTY.	DESCRIPTION
	62509	1	Extended Hydraulic (Steel) Spinner Assy.
	62511	1	Extended Hydraulic (304SS) Spinner Assy.
	62794	1	• Weld, Spinner Frame (Carbon Steel)
	62709	1	• Weld, Spinner Frame (304 Stainless Steel)
	62787	1	• Motor, Hydraulic
	62795	1	• Weld, Shaft
	62789	1	• Bracket, Motor Mount (Carbon Steel)
	62790	1	• Bracket, Motor Mount (304 Stainless Steel)
	62791	2	• Bushing
	62792	2	• Bushing, (304 Stainless Steel)

INSTALLATION AND INSTRUCTIONAL MANUAL PV SERIES

NAME PLATE INFORMATION

- When ordering parts or requesting information or assistance, always include the information listed below.
- The Model Number and Serial Number for the Spreader are shown on the name plate.
- The space below is provided as a convenient place to record these numbers; just fill in the blanks.

MODEL NUMBER _____

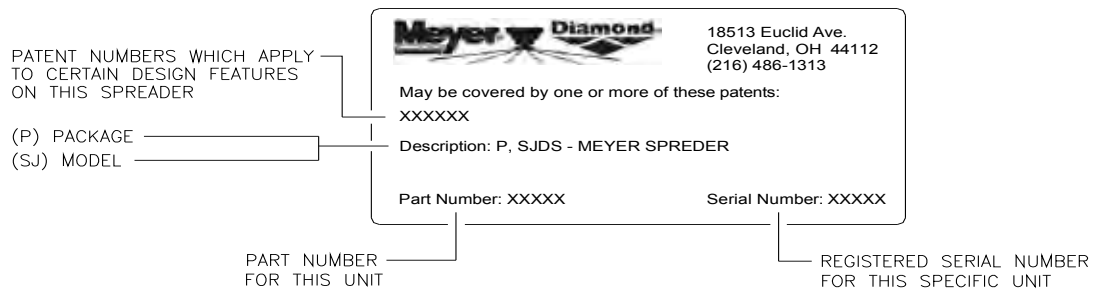
SERIAL NUMBER _____

DATE PURCHASED _____

DEALER PURCHASED FROM _____

DEALER'S SERVICE DEPARTMENT PHONE NUMBER

EXPLANATION OF SERIAL NUMBER DECAL



Z:\00111\00111-389-00RTJPD

CALL YOUR AUTHORIZED MEYER PRODUCTS DEALER FOR PARTS AND SERVICE
MEYER PRODUCTS (216) 486-1313
FAX (216) 486-9775
email: warranty@meyerproducts.com

NOTICE: INSTRUCTIONAL MATERIAL AND PARTS LISTS INCLUDED IN THIS MANUAL ARE SUBJECT TO CHANGE WITHOUT NOTICE.

INSTALLATION AND INSTRUCTIONAL MANUAL PV SERIES

SPREADER ONE YEAR WARRANTY

Meyer Products ("Meyer") warrants to the original purchaser only that it will repair, or, at the sole option of Meyer, replace any part of the new Meyer covered product which proves to be defective in workmanship or material under normal use for a period of one year from the date of delivery to the original purchaser. This warranty is not transferable or assignable. The original purchaser's sole and exclusive remedy against Meyer and Meyer's sole obligation for any and all claims, whether for breach of contract, warranty, tort (including negligence) or otherwise shall be limited to providing, through its Distributor/Sub Distributor network, all labor and or parts necessary to correct such defects free of charge. Any cost incurred in returning the product to the Distributor/Sub-Distributor is the responsibility of the original purchaser.

The gasoline engine used in this product is covered by its own warranty as provided by the engine manufacturer. A copy of this warranty is included with the engine.

EXCLUSIONS

THIS WARRANTY DOES NOT COVER PAINT, EXCEPT EXPENDABLE PARTS SUCH AS PINS, SPREADER FINS, AND OTHER NORMAL WEAR ITEMS. MEYER SHALL NOT BE LIABLE FOR ANY SPECIAL, INDIRECT OR CONSEQUENTIAL DAMAGES ARISING FROM ANY CLAIMS ARISING HEREUNDER, OR FOR DAMAGES RESULTING FROM LACK OF NECESSARY MAINTENANCE, OR FROM MISUSE, ACTS OF GOD, ALTERATION OF A MEYER PLOW, SPREADER OR PART, OR FROM USE OF PARTS OR HYDRAULIC FLUID NOT SUPPLIED BY MEYER. USE OF THE MEYER SNOWPLOW, SPREADER FOR ANY PURPOSE OTHER THAN PLOWING SNOW OR SPREADING APPROVED MATERIAL ARE EXAMPLES OF AN ABUSE AND MISUSE.

THE FOREGOING WARRANTY IS EXCLUSIVE AND IN LIEU OF ALL OTHER WARRANTIES, EXPRESS OR IMPLIED, INCLUDING, BUT NOT LIMITED TO, ANY IMPLIED WARRANTY OF MERCHANTABILITY OR FITNESS FOR A PARTICULAR PURPOSE.

WARRANTY SERVICE

In order to obtain service under this warranty, the original purchaser must return the Meyer claimed defective product to the Distributor/Sub-Distributor from whom the product was purchased or to any authorized Meyer Distributor/Sub-Distributor, transportation and freight charges prepaid. Only Meyer Distributor/Sub-Distributors are authorized to perform the obligations under these warranties.

GENERAL

It is the responsibility of the original purchaser to establish the warranty period by verifying the original delivery date. A bill of sale, cancelled check or some other appropriate payment record may be kept for that purpose. It is recommended, but not required, that the consumer verify the original delivery date by immediately returning the attached Warranty Registration Card. No person is authorized to change this warranty or to create any warranty other than that set forth herein. This warranty gives you specific legal rights and you may also have other rights which vary from state to state.

Meyer Products
18513 Euclid Avenue
Cleveland, Ohio 44112
Phone (216) 486-1313
Fax (216) 486-3073
E-Mail advertising@meyerproducts.com

**INSTALLATION AND INSTRUCTIONAL MANUAL
PV SERIES**



**MEYER PRODUCTS, LLC
18513 EUCLID AVE.
CLEVELAND, OHIO 44112-1084**

**PHONE: (216) 486-1313
FAX: (216) 486-9775**

**email: warranty@meyerproducts.com
website: www.meyerproducts.com**

**IMPORTANT
INFORMATION
ENCLOSED**